



GreenSpace

DN470T LED20S/830 PSU D22H16 3C BK

LED Module, system flux 2000 lm - 830 warm white - Power supply unit - Reflector - - - Connection unit 3-pole - Finger-protected - Black - 217 mm

Customers want to strike the ideal balance between their initial investment and the cost of the installation during its lifetime. GreenSpace is a cost-efficient and sustainable downlight that can be used to replace conventional CFL downlights in general lighting applications. It features the latest LED technology, which enables extremely low power consumption, while delivering consistent light output, stable color performance and high color rendering. The product's long lifetime makes it a true 'fit and forget' solution.

Product data

| General Information | | Connection | Connection unit 3-pole |
|-------------------------------|---|--|---|
| Number of light sources | 1 pc | Cable | - |
| Lamp family code | LED20S [LED Module, system flux 2000 lm] | Protection class IEC | Safety class II |
| Beam angle of light source | 120 ° | Glow-wire test | Temperature 650 °C, duration 5 s |
| Light source color | 830 warm white | Flammability mark | For mounting on normally flammable surfaces |
| Cap-Base | - [-] | CE mark | CE mark |
| Light source replaceable | No | ENEC mark | ENEC mark |
| Number of gear units | 1 unit | Warranty period | 5 years |
| Driver/power unit/transformer | Power supply unit | Constant light output | No |
| Driver included | Yes | Number of products on MCB of 16 A type B | 34 |
| Optic type | Reflector | EU RoHS compliant | Yes |
| Luminaire light beam spread | 120° | Accessory PFC | false |
| Emergency lighting | - | Unified glare rating CEN | 22 |
| Control interface | - | | |

Operating and Electrical

| | |
|-------------------------------|--------------|
| Input Voltage | 220 to 240 V |
| Input Frequency | 50 to 60 Hz |
| Initial CLO power consumption | - W |
| Average CLO power consumption | - W |
| Inrush current | 18 A |
| Inrush time | 0.250 ms |
| Power Factor (Min) | 0.9 |

Controls and Dimming

| | |
|----------|----|
| Dimmable | No |
|----------|----|

Mechanical and Housing

| | |
|-------------------------------------|---|
| Housing Material | Polycarbonate |
| Reflector material | Polycarbonate aluminum coated |
| Optic material | - |
| Optical cover/lens material | - |
| Fixation material | - |
| Optical cover/lens finish | Matte |
| Overall height | 157 mm |
| Overall diameter | 218 mm |
| Diameter | 217 mm |
| Color | Black |
| Dimensions (Height x Width x Depth) | 157 x NaN x NaN mm (6.2 x NaN x NaN in) |

Approval and Application

| | |
|------------------------------|--------------------------|
| Ingress protection code | IP20 [Finger-protected] |
| Mech. impact protection code | IK02 [0.2 J standard] |

Initial Performance (IEC Compliant)

| | |
|-------------------------------------|----------|
| Initial luminous flux (system flux) | 2200 lm |
| Luminous flux tolerance | +/-10% |
| Initial LED luminaire efficacy | 132 lm/W |
| Init. Corr. Color Temperature | 3000 K |
| Init. Color Rendering Index | >80 |

| | |
|-----------------------------|-----------------------|
| Initial chromaticity | (0.43, 0.40) SDCM<3.5 |
| Initial input power | 16.4 W |
| Power consumption tolerance | +/-10% |

Over Time Performance (IEC Compliant)

| | |
|---|-----|
| Control gear failure rate at median useful life | 1 % |
| 50000 h | |
| Lumen maintenance at median useful life* | - |
| 35000 h | |
| Lumen maintenance at median useful life* | 80 |
| 50000 h | |
| Lumen maintenance at median useful life* | - |
| 75000 h | |
| Lumen maintenance at median useful life* | - |
| 100000 h | |

Application Conditions

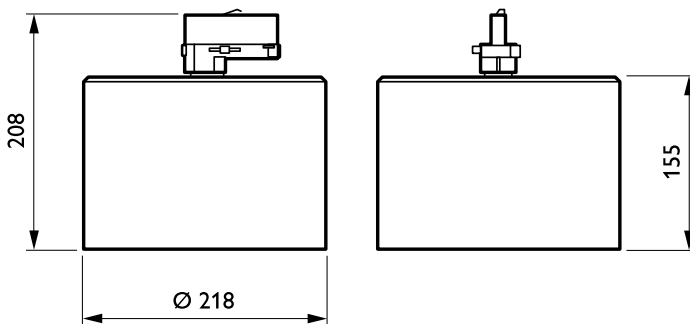
| | |
|------------------------------------|----------------|
| Ambient temperature range | +10 to +40 °C |
| Performance ambient temperature Tq | 25 °C |
| Maximum dim level | Not applicable |
| Suitable for random switching | No |

Product Data

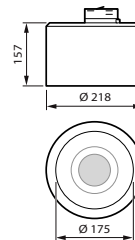
| | |
|---------------------------------|------------------------------------|
| Full product code | 871869938947500 |
| Order product name | DN470T LED20S/830 PSU D22H16 3C BK |
| EAN/UPC - Product | 8718699389475 |
| Order code | 912500100267 |
| Numerator - Quantity Per Pack | 1 |
| Numerator - Packs per outer box | 1 |
| Material Nr. (12NC) | 912500100267 |
| Net Weight (Piece) | 1.300 kg |



Dimensional drawing

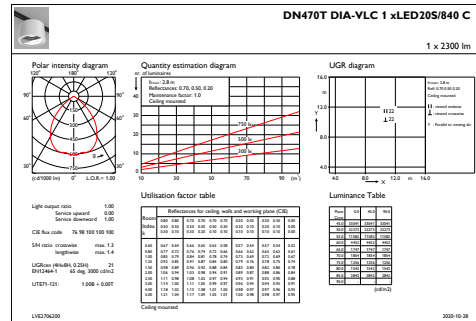
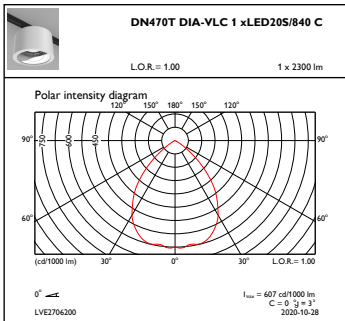


GreenSpace gen2 DN460B-DN473B



GreenSpace gen2 DN460B-DN473B

Photometric data



OFPC1_DN470TDIA-VLC1xLED20S840C

IFGU1_DN470TDIA-VLC1xLED20S840C

