



Ledinaire Zadora LED

RS049B LED-MS-40-5W-3000-GU10 ALU 50W

5 W - 3000 K - Aluminum

Zadora LED is a range of recessed adjustable downlights for MASTERLEDspot lamps. They come in ready-to-install KIT versions including the MASTERLEDspot MV lamp. MASTER LEDspot delivers huge energy savings and minimizes maintenance cost without compromising on brightness, enabling owners to achieve a return on their investment within one year. The adjustable version offers 30° orientation from the vertical. Both lamps deliver a flux equivalent to that of a 50 W halogen lamp. Zadora LED downlights are available in different color finishes. Maintenance is easy as the lamp can be accessed directly

Product data

General information		Input Frequency	
Lamp power	5 W		50 to 60 Hz
Light source color	830 warm white	Power Factor (Min)	0.7
Light source replaceable	Yes	Controls and dimming	
Gear	-	Dimmable	Yes
Driver/power unit/transformer	Power supply unit regulating	Mechanical and housing	
Optic type	Beam angle 40°	Housing Material	Plastic
Luminaire light beam spread	40°	Reflector material	-
Connection	Screw connection block 3-pole	Optic material	Polymethyl methacrylate
Cable	-	Optical cover/lens material	Polycarbonate
Protection class IEC	Safety class II	Fixation material	Stainless steel
CE mark	CE mark	Optical cover/lens finish	Frosted
Warranty period	3 years	Overall height	145 mm
Constant light output	No	Overall diameter	85 mm
Operating and electrical		Color	Aluminum
Input Voltage	220 to 240 V		

Ledinaire Zadora LED

Dimensions (Height x Width x Depth) 145 x NaN x NaN mm (5.7 x NaN x NaN in)

Approval and application

Ingress protection code IP20 [Finger-protected]

Mech. impact protection code IK02 [0.2 J standard]

Initial performance (IEC compliant)

Initial luminous flux (system flux) 365 lm

Luminous flux tolerance +/-10%

Initial LED luminaire efficacy 78 lm/W

Init. Corr. Color Temperature 3000 K

Init. Color Rendering Index 80

Initial chromaticity (0.43, 0.40) SDCM <5

Initial input power 5 W

Power consumption tolerance +/-10%

Over time performance (IEC compliant)

Median useful life L70B50 25000 h

Application conditions

Ambient temperature range -20 to +45 °C

Product data

Full product code 871869607016199

Order product name RS049B LED-MS-40-5W-3000-GU10 ALU 50W

EAN/UPC - Product 8718696070161

Order code 912401483108

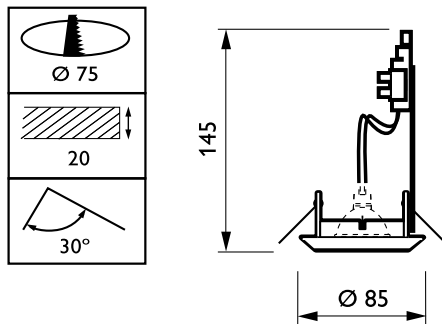
Numerator - Quantity Per Pack 1

Numerator - Packs per outer box 36

Material Nr. (12NC) 912401483108



Dimensional drawing



RS049B LED-MS-40-5W-3000-GU10 ALU 50W

