



ProFlood LED

BCP608 LED84/740 I EB D9 SHUT GR10714

PROFLOOD LED - LED Multi-die - LED - Power supply unit regulating with constant light output - Symmetrical - Tempered glass - 40° - - - Mounting bracket adjustable

ProFlood LED is a waterproof projector allowing both image projection and creative light framing – a powerful tool that gives display lighting designers great creative freedom. They can adjust the projector's output to precisely match the surroundings or to create a particular effect, virtually 'sculpting' the light.

Product data

| General Information | |
|-------------------------------|---|
| Lamp family code | LED-MD [LED Multi-die] |
| Light source color | 740 neutral white |
| Light source replaceable | No |
| Number of gear units | 1 unit |
| Driver/power unit/transformer | Power supply unit regulating with constant light output |
| Driver included | Yes |
| Optical cover/lens type | Tempered glass |
| Luminaire light beam spread | 40° |
| Control interface | - |
| Connection | Connection unit 3-pole |
| Cable | - |
| Protection class IEC | Safety class I |
| Flammability mark | - |
| CE mark | CE mark |
| ENEC mark | - |
| Warranty period | 5 years |

| | |
|--|--|
| Optic type outdoor | Symmetrical |
| Constant light output | No |
| Number of products on MCB of 16 A type B | 1 |
| EU RoHS compliant | Yes |
| Light source engine type | LED |
| Serviceability class | Class B, luminaire is equipped with some serviceable parts (when applicable): driver, control units, surge protection device, front cover and mechanical parts |
| Product family code | BCP608 [PROFLOOD LED] |

Light Technical

| | |
|--------------------------------|------|
| Upward light output ratio | 0.67 |
| Standard tilt angle posttop | 0° |
| Standard tilt angle side entry | 0° |

Operating and Electrical

| | |
|---------------|-----------|
| Input Voltage | 220/240 V |
|---------------|-----------|

ProFlood LED

| | |
|--------------------|-------------|
| Input Frequency | 50 or 60 Hz |
| Inrush current | 43 A |
| Inrush time | 0.260 ms |
| Power Factor (Min) | 0.9 |

Controls and Dimming

| | |
|----------|----|
| Dimmable | No |
|----------|----|

Mechanical and Housing

| | |
|-------------------------------------|--|
| Housing Material | Aluminum |
| Reflector material | Glass |
| Optic material | Glass |
| Optical cover/lens material | Glass |
| Fixation material | Steel |
| Mounting device | Mounting bracket adjustable |
| Optical cover/lens shape | Curved |
| Optical cover/lens finish | Clear |
| Overall length | 674 mm |
| Overall width | 294 mm |
| Overall height | 400 mm |
| Effective projected area | 0.12 m ² |
| Color | Gray |
| Dimensions (Height x Width x Depth) | 400 x 294 x 674 mm (15.7 x 11.6 x 26.5 in) |

Approval and Application

| | |
|--|---|
| Ingress protection code | IP65 [Dust penetration-protected, jet-proof] |
| Mech. impact protection code | IK06 [1 J] |
| Surge Protection (Common/Differential) | Luminaire surge protection level until 6 kV differential mode and 10 kV common mode |

Initial Performance (IEC Compliant)

| | |
|-------------------------------------|---------|
| Initial luminous flux (system flux) | 5140 lm |
|-------------------------------------|---------|

| | |
|---------------------------------------|------------------------|
| Luminous flux tolerance | +/-5% |
| Initial LED luminaire efficacy | 66 lm/W |
| Init. Corr. Color Temperature | 4000 K |
| Init. Color Rendering Index | >70 |
| Initial chromaticity | (0.3818,0.3797) 3-step |
| Initial input power | 78 W |
| Power consumption tolerance | +/-5% |
| Init. Color Rendering Index Tolerance | +/-2 |

Over Time Performance (IEC Compliant)

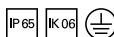
| | |
|---|-----|
| Control gear failure rate at median useful life 50000 h | 5 % |
| Lumen maintenance at median useful life* 50000 h | L80 |

Application Conditions

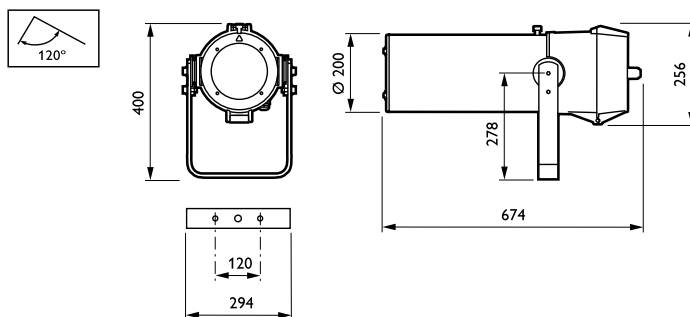
| | |
|------------------------------------|----------------|
| Ambient temperature range | -20 to +50 °C |
| Performance ambient temperature Tq | 25 °C |
| Maximum dim level | Not applicable |

Product Data

| | |
|---------------------------------|---------------------------------------|
| Full product code | 871951420423200 |
| Order product name | BCP608 LED84/740 I EB D9 SHUT GR10714 |
| EAN/UPC - Product | 8719514204232 |
| Order code | 912300057843 |
| Numerator - Quantity Per Pack | 1 |
| Numerator - Packs per outer box | 1 |
| Material Nr. (12NC) | 912300057843 |
| Net Weight (Piece) | 30.500 kg |



Dimensional drawing



ProFlood LED BCP608/BCP609

ProFlood LED

