



# GreenSpace G5

## DN393B LED22/830 PSD D200 WH GC

Power supply unit with DALI interface - High-gloss high reflectance - Transparent bowl with white cover - 80°

GreenSpace Gen5 is a new LED downlight range combining light efficiency and comfort with product diversity and system compatibility

### Product data

| General information                         |   |
|---|---|
| Beam angle of light source                  | 92°   |
| Light source color                          | 830 warm white                              |
| Light source replaceable                    | No  |
| Number of gear units                        | 1 unit                                      |
| Driver/power unit/transformer               | Power supply unit with DALI interface       |
| Driver included                             | Yes   |
| Optic type                                  | High-gloss high reflectance                 |
| Optical cover/lens type                     | Transparent bowl with white cover           |
| Luminaire light beam spread                 | 80°   |
| Control interface                           | DALI  |
| Protection class IEC                        | Safety class I                              |
| Glow-wire test                              | Temperature 650 °C, duration 30 s           |
| Flammability mark                           | For mounting on normally flammable surfaces |
| CE mark                                     | -   |
| Warranty period                             | 3 years                                     |
| Constant light output                       | No  |
| Number of products on MCB of 16 A type B 24 |   |
| Light source engine type                    | LED   |

| Operating and electrical    |                   |
|-----------------------------|-------------------|
| Input Voltage               | 220-240 V         |
| Input Frequency             | 50 or 60 Hz       |
| Inrush current              | 20.4 A            |
| Inrush time                 | 0.195 ms          |
| Power Factor (Min)          | 0.95              |
| Controls and dimming        |                   |
| Dimmable                    | Yes               |
| Mechanical and housing      |                   |
| Housing Material            | Aluminum die cast |
| Reflector material          | Polycarbonate     |
| Optic material              | Polycarbonate     |
| Optical cover/lens material | Polycarbonate     |
| Optical cover/lens finish   | Matte             |
| Overall length              | 0 mm              |
| Overall width               | 0 mm              |
| Overall height              | 108 mm            |
| Overall diameter            | 216 mm            |
| Color                       | Black and white   |

# GreenSpace G5

|                                     |                |
|-------------------------------------|----------------|
| Dimensions (Height x Width x Depth) | 108 x 0 x 0 mm |
|-------------------------------------|----------------|

## Approval and application

|                              |                          |
|------------------------------|--------------------------|
| Ingress protection code      | IP20 [ Finger-protected] |
| Mech. impact protection code | IK02 [ 0.2 J standard]   |

## Initial performance (IEC compliant)

|                                     |                     |
|-------------------------------------|---------------------|
| Initial luminous flux (system flux) | 2100 lm             |
| Luminous flux tolerance             | +/-10%              |
| Initial LED luminaire efficacy      | 102 lm/W            |
| Init. Corr. Color Temperature       | 3000 K              |
| Init. Color Rendering Index         | >80                 |
| Initial chromaticity                | (0.44,0.403) SDCM<5 |
| Initial input power                 | 20.5 W              |
| Power consumption tolerance         | +/-10%              |

## Over time performance (IEC compliant)

|                               |        |
|-------------------------------|--------|
| Driver failure rate at 5000 h | 0.12 % |
|-------------------------------|--------|

|                           |         |
|---------------------------|---------|
| Median useful life L70B50 | 50000 h |
| Median useful life L80B50 | 43000 h |
| Median useful life L90B50 | 20000 h |

## Application conditions

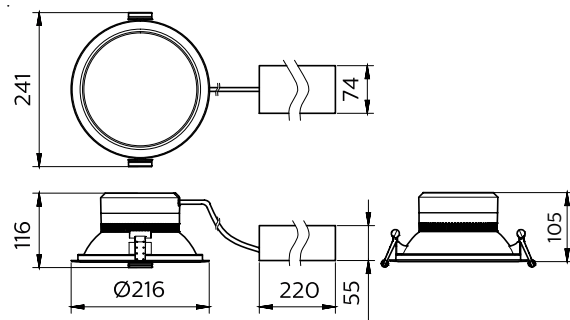
|                           |               |
|---------------------------|---------------|
| Ambient temperature range | -20 to +40 °C |
|---------------------------|---------------|

## Product data

|                                 |                                 |
|---------------------------------|---------------------------------|
| Full product code               | 911401574441                    |
| Order product name              | DN393B LED22/830 PSD D200 WH GC |
| Order code                      | 911401574441                    |
| Numerator - Quantity Per Pack   | 1                               |
| Numerator - Packs per outer box | 1                               |
| Material Nr. (12NC)             | 911401574441                    |
| Net Weight (Piece)              | 0.680 kg                        |



## Dimensional drawing



DN393B LED22/830 PSD D200 WH GC

