

# LuxSpace G4

DN589B LED10/830 PSD C D150 WH WB WP CAU

Reflector

LuxSpace Gen4 is the a new LED downlight range combining light comfort and leading performance with luxury looking

## Product data

General information	
Light source color	830 warm white
Light source replaceable	No
Number of gear units	1 unit
Driver/power unit/transformer	Power supply unit external
Driver included	Yes
Optic type	Facetted reflector with beam angle 60°
Optical cover/lens type	Reflector
Control interface	DALI
Connection	Connector with 2 additional wires for light regulation
Protection class IEC	Safety class II
Glow-wire test	Temperature 650 °C, duration 30 s
Flammability mark	For mounting on normally flammable surfaces
CE mark	CE mark
Warranty period	3 years
Constant light output	No
Number of products on MCB of 16 A type B 24	
EU RoHS compliant	Yes
Light source engine type	LED

Operating and electrical	
Input Voltage	220 to 240 V
Input Frequency	50 or 60 Hz
Inrush current	16 A
Inrush time	0.22 ms
Power Factor (Min)	0.9

Controls and dimming	
Dimmable	Yes

Mechanical and housing	
Housing Material	Aluminum die cast
Reflector material	Polycarbonate aluminum coated
Optic material	Polycarbonate
Optical cover/lens material	Polycarbonate
Fixation material	Steel
Optical cover/lens finish	Textured
Overall length	0 mm
Overall width	0 mm
Overall height	100 mm
Overall diameter	162 mm

# LuxSpace G4

Color	White and black
-------	-----------------

## Approval and application

Ingress protection code	IP54/20 [ Dust accumulation protected, splash-proof/finger protected]
Mech. impact protection code	IK03 [ 0.3 J]

## Initial performance (IEC compliant)

Initial luminous flux (system flux)	940 lm
Luminous flux tolerance	+/-10%
Initial LED luminaire efficacy	112 lm/W
Init. Corr. Color Temperature	3000 K
Init. Color Rendering Index	>80
Initial input power	8.4 W
Power consumption tolerance	+/-10%

## Over time performance (IEC compliant)

Driver failure rate at 5000 h	1%
Median useful life L70B50	50000 h

Median useful life L80B50	50000 h
Median useful life L90B50	21000 h

## Application conditions

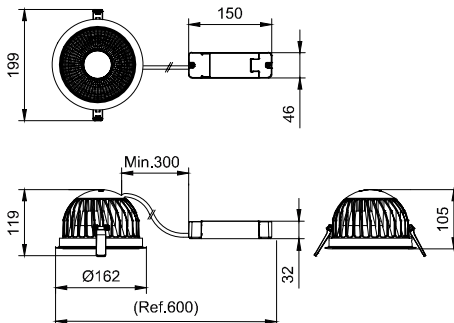
Ambient temperature range	-20 to +40 °C
Maximum dim level	1%

## Product data

Full product code	911401553441
Order product name	DN589B LED10/830 PSD C D150 WH WB WP CAU
Order code	911401553441
Numerator - Quantity Per Pack	1
Numerator - Packs per outer box	1
Material Nr. (12NC)	911401553441
Net Weight (Piece)	0.799 kg



## Dimensional drawing



DN589B LED10/830 PSD C D150 WH WB WP CAU

