



# LuxSpace G4

DN592B LED25/830 POE C D150 WH WB GC

## Reflector

LuxSpace Gen4 is the a new LED downlight range combining light comfort and leading performance with luxury looking

### Product data

| General Information                        |   |
|--|---|
| Light source color                         | 830 warm white                              |
| Light source replaceable                   | No  |
| Number of gear units                       | 1 unit                                      |
| Driver/power unit/transformer              | Power supply unit external                  |
| Driver included                            | Yes   |
| Optic type                                 | Facetted reflector with beam angle 60°      |
| Optical cover/lens type                    | Reflector                                   |
| Control interface                          | Power over Ethernet                         |
| Connection                                 | RJ45 connector                              |
| Protection class IEC                       | Safety class III                            |
| Glow-wire test                             | Temperature 650 °C, duration 30 s           |
| Flammability mark                          | For mounting on normally flammable surfaces |
| CE mark                                    | CE mark                                     |
| Warranty period                            | 3 years                                     |
| Constant light output                      | No  |
| Number of products on MCB of 16 A type B - | -   |
| EU RoHS compliant                          | Yes   |
| Light source engine type                   | LED   |

| Operating and Electrical    |                               |
|-----------------------------|-------------------------------|
| Input Voltage               | 220 to 240 V                  |
| Input Frequency             | 50 or 60 Hz                   |
| Power Factor (Min)          | 0.9                           |
| Controls and Dimming        |                               |
| Dimmable                    | Yes                           |
| Mechanical and Housing      |                               |
| Housing Material            | Aluminum die cast             |
| Reflector material          | Polycarbonate aluminum coated |
| Optic material              | Polycarbonate                 |
| Optical cover/lens material | Polycarbonate                 |
| Fixation material           | Steel                         |
| Optical cover/lens finish   | Textured                      |
| Overall length              | 0 mm                          |
| Overall width               | 0 mm                          |
| Overall height              | 100 mm                        |
| Overall diameter            | 162 mm                        |
| Color                       | White and black               |

# LuxSpace G4

## Approval and Application

|                              |                          |
|------------------------------|--------------------------|
| Ingress protection code      | IP20 [ Finger-protected] |
| Mech. impact protection code | IK03 [ 0.3 J]            |

## Initial Performance (IEC Compliant)

|                                     |          |
|-------------------------------------|----------|
| Initial luminous flux (system flux) | 2600 lm  |
| Luminous flux tolerance             | +/-10%   |
| Initial LED luminaire efficacy      | 113 lm/W |
| Init. Corr. Color Temperature       | 3000 K   |
| Init. Color Rendering Index         | >80      |
| Initial input power                 | 23 W     |
| Power consumption tolerance         | +/-10%   |

## Over Time Performance (IEC Compliant)

|                           |         |
|---------------------------|---------|
| Median useful life L70B50 | 50000 h |
| Median useful life L80B50 | 50000 h |
| Median useful life L90B50 | 21000 h |

## Application Conditions

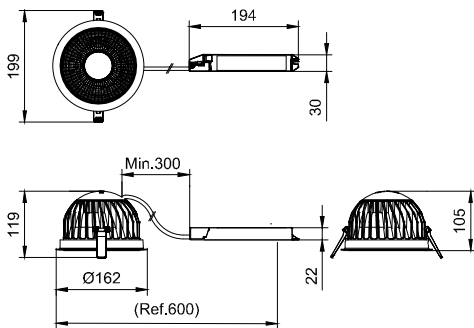
|                           |               |
|---------------------------|---------------|
| Ambient temperature range | -20 to +40 °C |
| Maximum dim level         | 30%           |

## Product Data

|                                 |                                   |
|---------------------------------|-----------------------------------|
| Full product code               | 911401545741                      |
| Order product name              | DN592B LED25/830 POE C D150 WH WB |
|                                 | GC                                |
| Order code                      | 911401545741                      |
| Numerator - Quantity Per Pack   | 1                                 |
| Numerator - Packs per outer box | 1                                 |
| Material Nr. (12NC)             | 911401545741                      |
| Net Weight (Piece)              | 0.799 kg                          |



## Dimensional drawing



DN58XB/DN59XB

