



Zadora, fixed

QBS570 1xHAL-MR50-45W 12V BR CR

1 pc - 45 W - 12 V - Chrome

Zadora is a range of recessed downlights for MASTERLine 35 and 50 mm dichroic halogen lamps (with beams of 8°, 24°, 36° and 60°) and Twistline Alu lamps. It is available in fixed and adjustable versions, the latter offering 30° orientation from the vertical. Zadora downlights are also available in ready-to-install kit versions. Maintenance is made easy by direct lamp access.

Product data

General Information	
Number of light sources	1 pc
Lamp power	45 W
Cap-Base	GU5.3 [GU5.3]
Gear	-
Driver/power unit/transformer	-
Luminaire light beam spread	108°
Protection class IEC	Safety class II

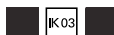
Operating and Electrical	
Input Voltage	12 V
Input Frequency	50 to 60 Hz

Mechanical and Housing	
Overall length	37 mm
Overall width	225 mm
Overall height	225 mm
Color	Chrome
Dimensions (Height x Width x Depth)	225 x 225 x 37 mm (8.9 x 8.9 x 1.5 in)

Approval and Application	
Ingress protection code	IP20 [Finger-protected]
Mech. impact protection code	IK03 [0.3 J]

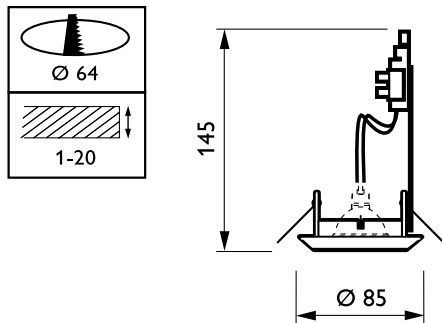
Application Conditions	
Ambient temperature range	-10 to +35 °C

Product Data	
Full product code	871155957321299
Order product name	QBS570 1xHAL-MR50-45W 12V BR CR
EAN/UPC - Product	8711559573212
Order code	910502538118
Numerator - Quantity Per Pack	1
Numerator - Packs per outer box	80
Material Nr. (12NC)	910502538118
Net Weight (Piece)	0.150 kg



Zadora, fixed

Dimensional drawing



Zadora Fixed QBS570

