



LuxSpace Accent

RS751B LED49S/830 PSE-E WB WH

LuxSpace Accent Performance G3 - LED Module, system flux 4900 lm - 830 warm white - Power supply unit DC compatible, external - Wide beam - - - Push-in connector and pull relief - White

Retailers are increasingly having to contend with rising energy prices. At the same time, they need to retain the quality of light they are used to, flexibility in architectural integration, and the right light effects to catch the customer's eye. Last but not least, they need future-proof solutions that will enable them to implement differentiating concepts in their store. Delivering high-quality light, punch in the beam and outstanding luminous efficacy, LuxSpace Accent is the ideal energy-efficient solution for today's demanding retail environments, covering a wide variety of lighting applications, including CrispWhite and PremiumWhite for fashion stores and Food recipes for supermarkets.

Product data

General Information		Control interface	
Number of light sources	1 pc	Control interface	-
Lamp family code	LED49S [LED Module, system flux 4900 lm]	Connection	Push-in connector and pull relief
Beam angle of light source	120 °	Cable	-
Light source color	830 warm white	Protection class IEC	Safety class II
Light source replaceable	No	Glow-wire test	Temperature 650 °C, duration 5 s
Number of gear units	1 unit	Flammability mark	For mounting on normally flammable surfaces
Driver/power unit/transformer	Power supply unit DC compatible, external	CE mark	CE mark
Driver included	Yes	ENEC mark	ENEC mark
Optic type	Wide beam	UL mark	-
Optical cover/lens type	-	Warranty period	5 years
Luminaire light beam spread	30°		

LuxSpace Accent

Remarks	*-Per Lighting Europe guidance paper "Evaluating performance of LED based luminaires - January 2018": statistically there is no relevant difference in lumen maintenance between B50 and for example B10. Therefore, the median useful life (B50) value also represents the B10 value.
Constant light output	No
Number of products on MCB of 16 A type B	24
EU RoHS compliant	Yes
Service tag	Yes
Product family code	RS751B [LuxSpace Accent Performance G3]

Operating and Electrical

Input Voltage	220 to 240 V
Input Frequency	50 to 60 Hz
Initial CLO power consumption	- W
Average CLO power consumption	- W
Inrush current	23.5 A
Inrush time	0.272 ms
Power Factor (Min)	0.9

Controls and Dimming

Dimmable	No
----------	----

Mechanical and Housing

Housing Material	Aluminum
Reflector material	Aluminum
Optic material	Polycarbonate
Optical cover/lens material	Polycarbonate
Fixation material	-
Optical cover/lens finish	Clear
Overall height	150 mm
Overall diameter	168 mm
Color	White
Dimensions (Height x Width x Depth)	150 x NaN x NaN mm (5.9 x NaN x NaN in)

Approval and Application

Ingress protection code	IP20 [Finger-protected]
Mech. impact protection code	IK02 [0.2 J standard]

Initial Performance (IEC Compliant)

Initial luminous flux (system flux)	4900 lm
Luminous flux tolerance	+/-10%
Initial LED luminaire efficacy	123 lm/W
Init. Corr. Color Temperature	3000 K
Init. Color Rendering Index	≥80
Initial chromaticity	(0.43, 0.40) SDCM <3
Initial input power	40 W
Power consumption tolerance	+/-10%

Over Time Performance (IEC Compliant)

Control gear failure rate at median useful life 50000 h	5 %
Lumen maintenance at median useful life* 50000 h	L80

Application Conditions

Ambient temperature range	+10 to +40 °C
Performance ambient temperature Tq	25 °C
Suitable for random switching	Yes

Product Data

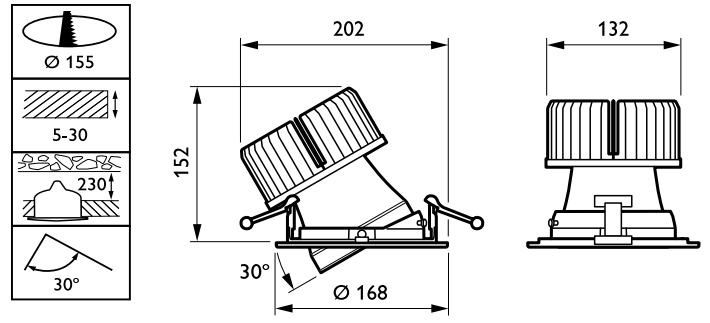
Full product code	871869916720200
Order product name	RS751B LED49S/830 PSE-E WB WH
EAN/UPC - Product	8718699167202
Order code	910500459431
Numerator - Quantity Per Pack	1
Numerator - Packs per outer box	1
Material Nr. (12NC)	910500459431
Net Weight (Piece)	1.377 kg



Dimensional drawing

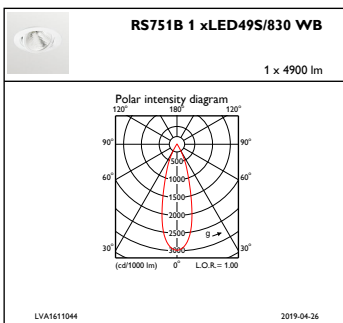


LuxSpace Accent RS730B-RS752B

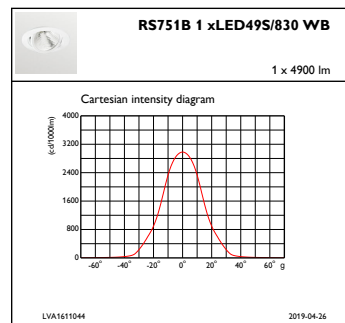


LuxSpace Accent RS730B-RS752B

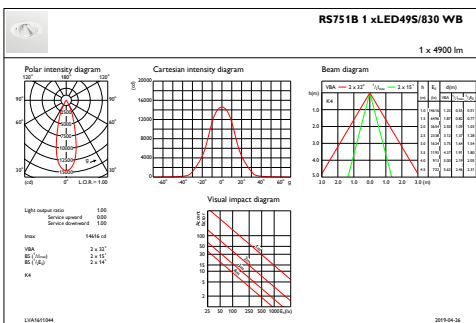
Photometric data



IFPC1_RS751B1xLED49S830WB



IFCC1_RS751B1xLED49S830WB



IFAS1_RS751B1xLED49S830WB

