



# LuxSpace Accent

## RS740B LED20S/PW930 PSED-VLC-E NB WH

LuxSpace Accent Compact G3 - LED Module, system flux 2000 lm - Premium white with CRI  $\geq 90$  - Power supply unit with DALI and SystemReady interface, InterAct ready - Narrow beam - White RAL 9003

Retailers are increasingly having to contend with rising energy prices. At the same time, they need to retain the quality of light they are used to, flexibility in architectural integration, and the right light effects to catch the customer's eye. Last but not least, they need future-proof solutions that will enable them to implement differentiating concepts in their store. Delivering high-quality light, punch in the beam and outstanding luminous efficacy, LuxSpace Accent is the ideal energy-efficient solution for today's demanding retail environments, covering a wide variety of lighting applications, including CrispWhite and PremiumWhite for fashion stores and Food recipes for supermarkets.

### Product data

General information		Luminaire light beam spread	
Number of light sources	1 pc	Luminaire light beam spread	10°
Lamp family code	LED20S [ LED Module, system flux 2000 lm]	Control interface	DALI
Beam angle of light source	120°	Connection	Push-in connector and pull relief
Light source color	Premium white with CRI $\geq 90$	Cable	-
Light source replaceable	No	Protection class IEC	Safety class II
Number of gear units	1 unit	Glow-wire test	Temperature 650 °C, duration 5 s
Driver/power unit/transformer	Power supply unit with DALI and SystemReady interface, InterAct ready	Flammability mark	For mounting on normally flammable surfaces
Driver included	Yes	CE mark	CE mark
Optic type	Narrow beam	ENEC mark	ENEC mark
Optical cover/lens type	Clear glass	UL mark	-
		Warranty period	5 years

# LuxSpace Accent

Remarks	*-Per Lighting Europe guidance paper "Evaluating performance of LED based luminaires - January 2018": statistically there is no relevant difference in lumen maintenance between B50 and for example B10. Therefore, the median useful life (B50) value also represents the B10 value.
Constant light output	No
Number of products on MCB of 16 A type B	24
EU RoHS compliant	Yes
Service tag	Yes
Product family code	RS740B [ LuxSpace Accent Compact G3]
Unified glare rating CEN	Not applicable

## Operating and electrical

Input Voltage	220 to 240 V
Input Frequency	50 to 60 Hz
Control signal voltage	0-16 V DC DALI
Initial CLO power consumption	- W
Average CLO power consumption	- W
Inrush current	20.4 A
Inrush time	195 ms
Power Factor (Min)	0.9

## Controls and dimming

Dimmable	Yes
----------	-----

## Mechanical and housing

Housing Material	Aluminum
Reflector material	Polycarbonate aluminum coated
Optic material	Polycarbonate
Optical cover/lens material	Polycarbonate
Fixation material	-
Optical cover/lens finish	Clear
Overall height	126 mm
Overall diameter	106 mm
Color	White RAL 9003
Dimensions (Height x Width x Depth)	126 x NaN x NaN mm (5 x NaN x NaN in)

## Approval and application

Ingress protection code	IP20 [ Finger-protected]
-------------------------	--------------------------

Mech. impact protection code	IK02 [ 0.2 J standard]
------------------------------	------------------------

## Initial performance (IEC compliant)

Initial luminous flux (system flux)	2000 lm
Luminous flux tolerance	+/-10%
Initial LED luminaire efficacy	100 lm/W
Init. Corr. Color Temperature	3000 K
Init. Color Rendering Index	≥90
Initial chromaticity	(0.422, 0.386) SDCM <2
Initial input power	20,5 W
Power consumption tolerance	+/-10%

## Over time performance (IEC compliant)

Control gear failure rate at median useful life 50000 h	5 %
Control gear failure rate at median useful life 100000 h	5 %
Lumen maintenance at median useful life* 50000 h	L80

## Application conditions

Ambient temperature range	0 to +35 °C
Performance ambient temperature Tq	25 °C
Maximum dim level	1%
Suitable for random switching	Yes

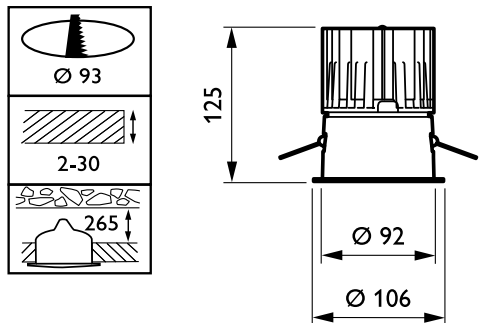
## Product data

Full product code	871869697309700
Order product name	RS740B LED20S/PW930 PSED-VLC-E NB WH
EAN/UPC - Product	8718696973097
Order code	910500459047
Numerator - Quantity Per Pack	1
Numerator - Packs per outer box	1
Material Nr. (12NC)	910500459047
Net Weight (Piece)	0.800 kg



## LuxSpace Accent

### Dimensional drawing



RS740B LED20S/PW930 PSED-VLC-E NB WH

