

High Performance LED replacements for conventional T5 lamps

T5

Philips T5 LED tubes offer an affordable, energy saving retrofit solution. The T5 lamps have been engineered to withstand the test of time with a 50,000-hour lifetime and a limited 5-year warranty to back it up. The lighting performance effectively replaces conventional fluorescent T5 HO or T5 HE lamps. Available in either InstantFit (Type A or Type C) or MainsFit (Type B / Ballast bypass), Philips T5 TLEDs provide a variety of options for any application.

Benefits

- Instantly reduces lighting costs
- True T5 size fits conventional applications
- One lamp for both HE and HO applications (2ft/3ft lamps)

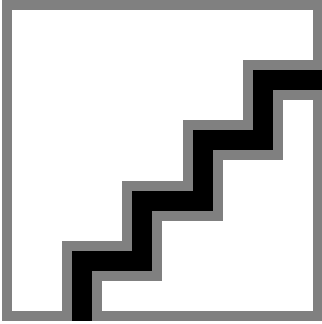
Features

- Available in InstantFit plug-and-play (UL Type A) or MainsFit (Type B) Options
- MainsFit T5 (Type B/Ballast Bypass) are double-ended for quick installation
- Easy installation. Retrofit replacement of existing T5 lamps
- 2ft and 3ft InstantFit lamps operate on both HE and HO ballasts

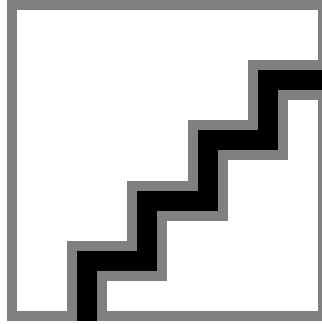
Application

- Industrial & warehouses
- Retail & hospitality
- Parking lots and covered car parks

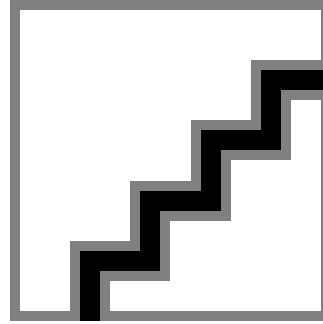
Versions



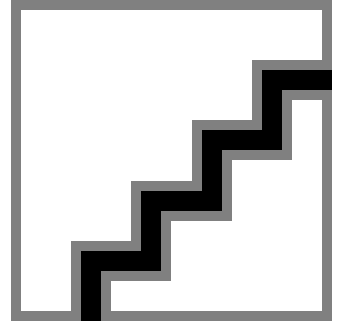
G5



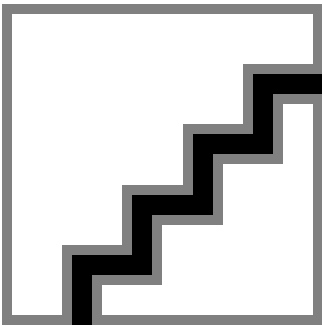
G5



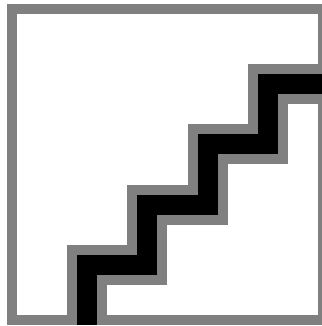
G5 Tube, double-ended Frosted



G5 Tube, double-ended Frosted

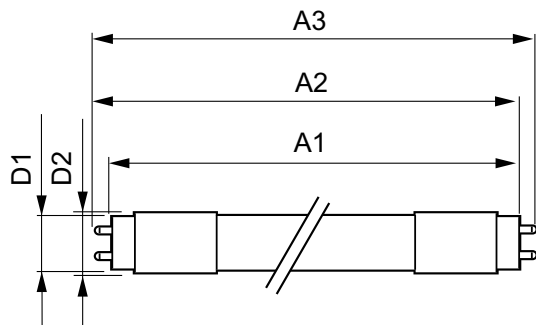
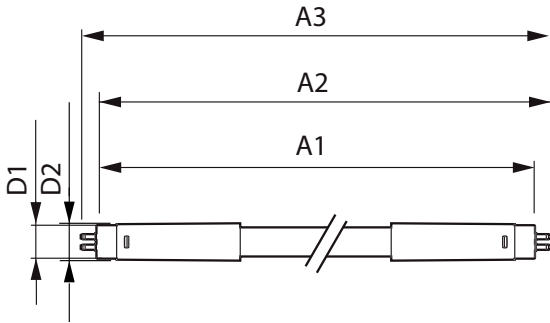


G5 Tube, double-ended Frosted



G5 Tube, double-ended Frosted

Dimensional drawing



Product	D1	D2	A1	A2	A3
25T5HO/COR/46-850/ MF35/G 25/1	15.3 mm	18.2 mm	1149 mm	1154.9 mm	1163.2 mm
25T5HO/COR/46-835/ MF33/G 25/1	15.3 mm	18.2 mm	1149 mm	1154.9 mm	1163.2 mm
25T5HO/COR/46-840/ MF35/G 25/1	15.3 mm	18.2 mm	1149 mm	1154.9 mm	1163.2 mm
10T5HE/COR/34-840/ MF14/G 25/1	15.3 mm	18.2 mm	849 mm	854.9 mm	863.2 mm
14T5HE/COR/46-835/ MF20/G 25/1	15.3 mm	18.2 mm	1149 mm	1154.9 mm	1163.2 mm
8T5HE/COR/22-850/ MF10/G 25/1	15.3 mm	18.2 mm	549 mm	554.9 mm	563.2 mm
8T5HE/COR/22-835/ MF10/G 25/1	15.3 mm	18.2 mm	549 mm	554.9 mm	563.2 mm
10T5HE/COR/34-835/ MF13/G 25/1	15.3 mm	18.2 mm	849 mm	854.9 mm	863.2 mm
8T5HE/COR/22-840/ MF10/G 25/1	15.3 mm	18.2 mm	549 mm	554.9 mm	563.2 mm
10T5HE/COR/34-850/ MF14/G 25/1	15.3 mm	18.2 mm	849 mm	854.9 mm	863.2 mm
14T5HE/COR/46-850/ MF21/G 25/1	15.3 mm	18.2 mm	1149 mm	1154.9 mm	1163.2 mm
14T5HE/COR/46-840/ MF21/G 25/1	15.3 mm	18.2 mm	1149 mm	1154.9 mm	1163.2 mm

Product	D1	D2	A1	A2	A3
11T5HE/34-850/IF15/G/DIM 10/1	15.3 mm	18.4 mm	847.8 mm	854.9 mm	862 mm
14T5HE/46-830/ IF20/G/DIM 10/1	15.3 mm	18.4 mm	1147.8 mm	1154.9 mm	1162 mm
24T5HO/46-840/ IF35/P/DIM 10/1	15.2 mm	17.8 mm	1147.8 mm	1154.9 mm	1162 mm
24T5HO/46-850/ IF35/P/DIM 10/1	15.2 mm	17.8 mm	1147.8 mm	1154.9 mm	1162 mm
24T5HO/46-835/ IF33/P/DIM 10/1	15.2 mm	17.8 mm	1147.8 mm	1154.9 mm	1162 mm
14T5HE/46-840/IF21/G/DIM 10/1	15.3 mm	18.4 mm	1147.8 mm	1154.9 mm	1162 mm
14T5HE/46-835/ IF20/G/DIM 10/1	15.3 mm	18.4 mm	1147.8 mm	1154.9 mm	1162 mm
8T5HE/22-840/IF10/G/DIM 10/1	15.3 mm	18.4 mm	547.8 mm	554.9 mm	562 mm
8T5HE/22-850/IF10/G/DIM 10/1	15.3 mm	18.4 mm	547.8 mm	554.9 mm	562 mm
11T5HE/34-840/IF15/G/DIM 10/1	15.3 mm	18.4 mm	847.8 mm	854.9 mm	862 mm
11T5HE/34-830/IF14/G/DIM 10/1	15.3 mm	18.4 mm	847.8 mm	854.9 mm	862 mm

Dimensional drawing

Product	D1	D2	A1	A2	A3
11T5HE/34-835/IF14/G/DIM 10/1	15.3 mm	18.4 mm	847.8 mm	854.9 mm	862 mm
8T5HE/22-830/IF10/G/DIM 10/1	15.3 mm	18.4 mm	547.8 mm	554.9 mm	562 mm
8T5HE/22-835/IF10/G/DIM 10/1	15.3 mm	18.4 mm	547.8 mm	554.9 mm	562 mm
14T5HE/46-850/IF21/G/DIM 10/1	15.3 mm	18.4 mm	1147.8 mm	1154.9 mm	1162 mm
24T5HO/COR/46-840/ IF35/G/DIM 25/1	15.3 mm	18.4 mm	1147.8 mm	1154.9 mm	1162 mm
24T5HO/COR/46-835/ IF33/G/DIM 25/1	15.3 mm	18.4 mm	1147.8 mm	1154.9 mm	1162 mm
24T5HO/COR/46-850/ IF35/G/DIM 25/1	15.3 mm	18.4 mm	1147.8 mm	1154.9 mm	1162 mm

Operating and electrical

Starting Time (Nom) 0.5 s

General information

Cap-Base G5
Nominal Lifetime (Nom) 50000 h
Switching Cycle 50000

Light technical

Llmf At End Of Nominal Lifetime (Nom) 70 %

Mechanical and housing

Bulb Finish Frosted
Bulb Shape Tube, double-ended

Temperature

T-Ambient (Max) 45 °C
T-Ambient (Min) -20 °C
T-Storage (Max) 65 °C
T-Storage (Min) -40 °C

Approval and application

Order Code	Full Product Name	Energy Consumption kWh/1000 h
929001283804	24T5HO/46-835/IF33/P/DIM 10/1	- kWh
929001283904	24T5HO/46-840/IF35/P/DIM 10/1	- kWh
929001284004	24T5HO/46-850/IF35/P/DIM 10/1	- kWh
929001823104	8T5HE/22-830/IF10/G/DIM 10/1	- kWh
929001823204	8T5HE/22-835/IF10/G/DIM 10/1	- kWh
929001823304	8T5HE/22-840/IF10/G/DIM 10/1	- kWh
929001823404	8T5HE/22-850/IF10/G/DIM 10/1	- kWh
929001823504	11T5HE/34-830/IF14/G/DIM 10/1	- kWh
929001823604	11T5HE/34-835/IF14/G/DIM 10/1	- kWh
929001823704	11T5HE/34-840/IF15/G/DIM 10/1	- kWh
929001823804	11T5HE/34-850/IF15/G/DIM 10/1	- kWh
929001823904	14T5HE/46-830/IF20/G/DIM 10/1	- kWh
929001824004	14T5HE/46-835/IF20/G/DIM 10/1	- kWh
929001824104	14T5HE/46-840/IF21/G/DIM 10/1	- kWh
929001824204	14T5HE/46-850/IF21/G/DIM 10/1	- kWh
929003122404	25T5HO/COR/46-835/MF33/G 25/1	-
929003122504	25T5HO/COR/46-840/MF35/G 25/1	-
929003122604	25T5HO/COR/46-850/MF35/G 25/1	-
929003122704	8T5HE/COR/22-835/MF10/G 25/1	-
929003122804	8T5HE/COR/22-840/MF10/G 25/1	-
929003122904	8T5HE/COR/22-850/MF10/G 25/1	-
929003123004	10T5HE/COR/34-835/MF13/G 25/1	-
929003123104	10T5HE/COR/34-840/MF14/G 25/1	-
929003123204	10T5HE/COR/34-850/MF14/G 25/1	-
929003123304	14T5HE/COR/46-835/MF20/G 25/1	-
929003123404	14T5HE/COR/46-840/MF21/G 25/1	-
929003123504	14T5HE/COR/46-850/MF21/G 25/1	-
929003134004	24T5HO/COR/46-835/IF33/G/DIM 25/1	-
929003134104	24T5HO/COR/46-840/IF35/G/DIM 25/1	-
929003134204	24T5HO/COR/46-850/IF35/G/DIM 25/1	-

Controls and dimming

Order Code	Full Product Name	Dimmable
929001283804	24T5HO/46-835/IF33/P/DIM 10/1	Yes
929001283904	24T5HO/46-840/IF35/P/DIM 10/1	Yes
929001284004	24T5HO/46-850/IF35/P/DIM 10/1	Yes
929001823104	8T5HE/22-830/IF10/G/DIM 10/1	Yes
929001823204	8T5HE/22-835/IF10/G/DIM 10/1	Yes
929001823304	8T5HE/22-840/IF10/G/DIM 10/1	Yes
929001823404	8T5HE/22-850/IF10/G/DIM 10/1	Yes
929001823504	11T5HE/34-830/IF14/G/DIM 10/1	Yes
929001823604	11T5HE/34-835/IF14/G/DIM 10/1	Yes
929001823704	11T5HE/34-840/IF15/G/DIM 10/1	Yes
929001823804	11T5HE/34-850/IF15/G/DIM 10/1	Yes
929001823904	14T5HE/46-830/IF20/G/DIM 10/1	Yes
929001824004	14T5HE/46-835/IF20/G/DIM 10/1	Yes
929001824104	14T5HE/46-840/IF21/G/DIM 10/1	Yes
929001824204	14T5HE/46-850/IF21/G/DIM 10/1	Yes

Order Code	Full Product Name	Dimmable
929003122404	25T5HO/COR/46-835/MF33/G 25/1	Limited
929003122504	25T5HO/COR/46-840/MF35/G 25/1	Limited
929003122604	25T5HO/COR/46-850/MF35/G 25/1	Limited
929003122704	8T5HE/COR/22-835/MF10/G 25/1	Limited
929003122804	8T5HE/COR/22-840/MF10/G 25/1	Limited
929003122904	8T5HE/COR/22-850/MF10/G 25/1	Limited
929003123004	10T5HE/COR/34-835/MF13/G 25/1	Limited
929003123104	10T5HE/COR/34-840/MF14/G 25/1	Limited
929003123204	10T5HE/COR/34-850/MF14/G 25/1	Limited
929003123304	14T5HE/COR/46-835/MF20/G 25/1	Limited
929003123404	14T5HE/COR/46-840/MF21/G 25/1	Limited
929003123504	14T5HE/COR/46-850/MF21/G 25/1	Limited
929003134004	24T5HO/COR/46-835/IF33/G/DIM 25/1	Only with specific dimmers
929003134104	24T5HO/COR/46-840/IF35/G/DIM 25/1	Only with specific dimmers
929003134204	24T5HO/COR/46-850/IF35/G/DIM 25/1	Only with specific dimmers

Operating and electrical

Order Code	Full Product Name	Input Frequency	Voltage (Nom)	Wattage Equivalent	Power (Nom)
929001283804	24T5HO/46-835/IF33/P/DIM 10/1	40000-80000 Hz	39-64 V	54 W	24 W
929001283904	24T5HO/46-840/IF35/P/DIM 10/1	40000-80000 Hz	39-64 V	54 W	24 W
929001284004	24T5HO/46-850/IF35/P/DIM 10/1	40000-80000 Hz	39-64 V	54 W	24 W
929001823104	8T5HE/22-830/IF10/G/DIM 10/1	40000-110000 Hz	40-60 V	14 W	8 W
929001823204	8T5HE/22-835/IF10/G/DIM 10/1	40000-110000 Hz	40-60 V	14 W	8 W
929001823304	8T5HE/22-840/IF10/G/DIM 10/1	40000-110000 Hz	40-60 V	14 W	8 W
929001823404	8T5HE/22-850/IF10/G/DIM 10/1	40000-110000 Hz	40-60 V	14 W	8 W
929001823504	11T5HE/34-830/IF14/G/DIM 10/1	40000-110000 Hz	50-80 V	21 W	11 W

Order Code	Full Product Name	Input Frequency	Voltage (Nom)	Wattage Equivalent	Power (Nom)
929001823604	11T5HE/34-835/IF14/G/DIM 10/1	40000-110000 Hz	50-80 V	21 W	11 W
929001823704	11T5HE/34-840/IF15/G/DIM 10/1	40000-110000 Hz	50-80 V	21 W	11 W
929001823804	11T5HE/34-850/IF15/G/DIM 10/1	40000-110000 Hz	50-80 V	21 W	11 W
929001823904	14T5HE/46-830/IF20/G/DIM 10/1	40000-110000 Hz	70-105 V	28 W	14 W
929001824004	14T5HE/46-835/IF20/G/DIM 10/1	40000-110000 Hz	70-105 V	28 W	14 W
929001824104	14T5HE/46-840/IF21/G/DIM 10/1	40000-110000 Hz	70-105 V	28 W	14 W
929001824204	14T5HE/46-850/IF21/G/DIM 10/1	40000-110000 Hz	70-105 V	28 W	14 W
929003122404	25T5HO/COR/46-835/MF33/G 25/1	50 to 60 Hz	120-277 V	-	25 W

Order Code	Full Product Name	Input Frequency	Voltage (Nom)	Wattage Equivalent	Power (Nom)
929003122504	25T5HO/COR/ 46-840/ MF35/G 25/1	50 to 60 Hz	120-277 V	-	25 W
929003122604	25T5HO/COR/ 46-850/ MF35/G 25/1	50 to 60 Hz	120-277 V	-	25 W
929003122704	8T5HE/COR/ 22-835/ MF10/G 25/1	50 to 60 Hz	120-277 V	14 W	8 W
929003122804	8T5HE/COR/ 22-840/ MF10/G 25/1	50 to 60 Hz	120-277 V	14 W	8 W
929003122904	8T5HE/COR/ 22-850/ MF10/G 25/1	50 to 60 Hz	120-277 V	14 W	8 W
929003123004	10T5HE/COR/ 34-835/ MF13/G 25/1	50 to 60 Hz	120-277 V	21 W	10 W
929003123104	10T5HE/COR/ 34-840/ MF14/G 25/1	50 to 60 Hz	120-277 V	21 W	10 W
929003123204	10T5HE/COR/ 34-850/ MF14/G 25/1	50 to 60 Hz	120-277 V	21 W	10 W

Order Code	Full Product Name	Input Frequency	Voltage (Nom)	Wattage Equivalent	Power (Nom)
929003123304	14T5HE/COR/ 46-835/ MF20/G 25/1	50 to 60 Hz	120-277 V	28 W	14 W
929003123404	14T5HE/COR/ 46-840/ MF21/G 25/1	50 to 60 Hz	120-277 V	28 W	14 W
929003123504	14T5HE/COR/ 46-850/ MF21/G 25/1	50 to 60 Hz	120-277 V	28 W	14 W
929003134004	24T5HO/COR/ 46-835/ IF33/G/DIM 25/1	50 to 60 Hz	120-277, 347 V	-	24 W
929003134104	24T5HO/COR/ 46-840/ IF35/G/DIM 25/1	50 to 60 Hz	120-277, 347 V	-	24 W
929003134204	24T5HO/COR/ 46-850/ IF35/G/DIM 25/1	50 to 60 Hz	120-277, 347 V	-	24 W

Light technical (1/2)

Order Code	Full Product Name	Beam Angle (Nom)	Color Code	Correlated Color Temperature (Nom)	Color Rendering Index (Nom)
929001823804	24T5HO/46-835/ IF33/P/DIM 10/1	140 °	835	3500 K	82
929001823904	24T5HO/46-840/ IF35/P/DIM 10/1	140 °	840	4000 K	82
929001824004	24T5HO/46-850/ IF35/P/DIM 10/1	140 °	850	5000 K	82
929001823104	8T5HE/22-830/ IF10/G/DIM 10/1	200 °	830	3000 K	82
929001823204	8T5HE/22-835/ IF10/G/DIM 10/1	200 °	835	3500 K	82
929001823304	8T5HE/22-840/ IF10/G/DIM 10/1	200 °	840	4000 K	82
929001823404	8T5HE/22-850/ IF10/G/DIM 10/1	200 °	850	5000 K	82
929001823504	11T5HE/34-830/ IF14/G/DIM 10/1	200 °	830	3000 K	82
929001823604	11T5HE/34-835/ IF14/G/DIM 10/1	200 °	835	3500 K	82
929001823704	11T5HE/34-840/ IF15/G/DIM 10/1	200 °	840	4000 K	82

Order Code	Full Product Name	Beam Angle (Nom)	Color Code	Correlated Color Temperature (Nom)	Color Rendering Index (Nom)
929001823804	11T5HE/34-850/ IF15/G/DIM 10/1	200 °	850	5000 K	82
929001823904	14T5HE/46-830/ IF20/G/DIM 10/1	200 °	830	3000 K	82
929001824004	14T5HE/46-835/ IF20/G/DIM 10/1	200 °	835	3500 K	82
929001824104	14T5HE/46-840/ IF21/G/DIM 10/1	200 °	840	4000 K	82
929001824204	14T5HE/46-850/ IF21/G/DIM 10/1	200 °	850	5000 K	82
929003122404	25T5HO/COR/ 46-835/MF33/G 25/1	200 °	835	3500 K	80
929003122504	25T5HO/COR/ 46-840/MF35/G 25/1	200 °	840	4000 K	80
929003122604	25T5HO/COR/ 46-850/MF35/G 25/1	200 °	850	5000 K	80

Order Code	Full Product Name	Beam		Correlated	Color
		Angle (Nom)	Color Code	Color Temperature (Nom)	Rendering Index (Nom)
929003122704	8T5HE/COR/ 22-835/MF10/G 25/1	200 °	835	3500 K	80
929003122804	8T5HE/COR/ 22-840/MF10/G 25/1	200 °	840	4000 K	80
929003122904	8T5HE/COR/ 22-850/MF10/G 25/1	200 °	850	5000 K	80
929003123004	10T5HE/COR/ 34-835/MF13/G 25/1	200 °	835	3500 K	80
929003123104	10T5HE/COR/ 34-840/MF14/G 25/1	200 °	840	4000 K	80
929003123204	10T5HE/COR/ 34-850/MF14/G 25/1	200 °	850	5000 K	80

Order Code	Full Product Name	Beam		Correlated	Color
		Angle (Nom)	Color Code	Color Temperature (Nom)	Rendering Index (Nom)
929003123304	14T5HE/COR/ 46-835/MF20/G 25/1	200 °	835	3500 K	80
929003123404	14T5HE/COR/ 46-840/MF21/G 25/1	200 °	840	4000 K	80
929003123504	14T5HE/COR/ 46-850/MF21/G 25/1	200 °	850	5000 K	80
929003134004	24T5HO/COR/ 46-835/ IF33/G/DIM 25/1	200 °	835	3500 K	80
929003134104	24T5HO/COR/ 46-840/ IF35/G/DIM 25/1	200 °	840	4000 K	80
929003134204	24T5HO/COR/ 46-850/ IF35/G/DIM 25/1	200 °	850	5000 K	80

Light technical (2/2)

Order Code	Full Product Name	Luminous Flux (Nom)
929001283804	24T5HO/46-835/IF33/P/DIM 10/1	3300 lm
929001283904	24T5HO/46-840/IF35/P/DIM 10/1	3500 lm
929001284004	24T5HO/46-850/IF35/P/DIM 10/1	3500 lm
929001823104	8T5HE/22-830/IF10/G/DIM 10/1	1000 lm
929001823204	8T5HE/22-835/IF10/G/DIM 10/1	1000 lm
929001823304	8T5HE/22-840/IF10/G/DIM 10/1	1050 lm
929001823404	8T5HE/22-850/IF10/G/DIM 10/1	1050 lm
929001823504	11T5HE/34-830/IF14/G/DIM 10/1	1400 lm
929001823604	11T5HE/34-835/IF14/G/DIM 10/1	1400 lm
929001823704	11T5HE/34-840/IF15/G/DIM 10/1	1500 lm
929001823804	11T5HE/34-850/IF15/G/DIM 10/1	1500 lm
929001823904	14T5HE/46-830/IF20/G/DIM 10/1	2000 lm
929001824004	14T5HE/46-835/IF20/G/DIM 10/1	2000 lm
929001824104	14T5HE/46-840/IF21/G/DIM 10/1	2100 lm
929001824204	14T5HE/46-850/IF21/G/DIM 10/1	2100 lm

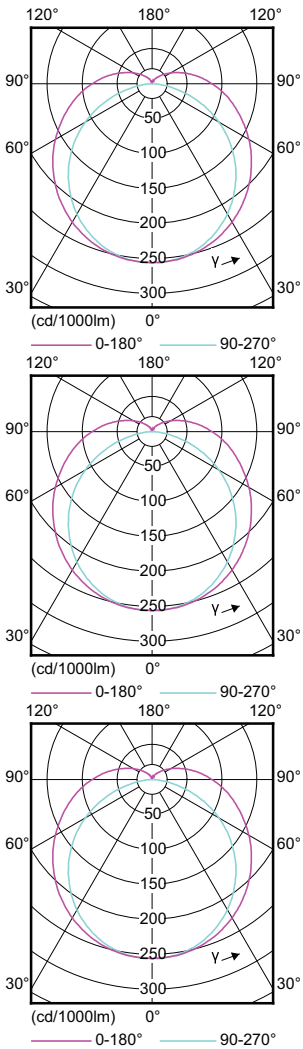
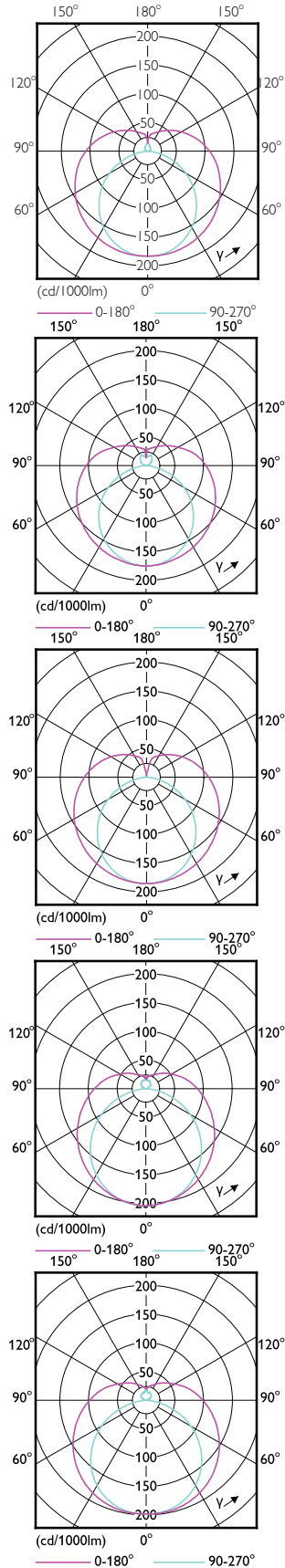
Order Code	Full Product Name	Luminous Flux (Nom)
929003122404	25T5HO/COR/46-835/MF33/G 25/1	3300 lm
929003122504	25T5HO/COR/46-840/MF35/G 25/1	3500 lm
929003122604	25T5HO/COR/46-850/MF35/G 25/1	3500 lm
929003122704	8T5HE/COR/22-835/MF10/G 25/1	1000 lm
929003122804	8T5HE/COR/22-840/MF10/G 25/1	1050 lm
929003122904	8T5HE/COR/22-850/MF10/G 25/1	1050 lm
929003123004	10T5HE/COR/34-835/MF13/G 25/1	1300 lm
929003123104	10T5HE/COR/34-840/MF14/G 25/1	1400 lm
929003123204	10T5HE/COR/34-850/MF14/G 25/1	1400 lm
929003123304	14T5HE/COR/46-835/MF20/G 25/1	2000 lm
929003123404	14T5HE/COR/46-840/MF21/G 25/1	2100 lm
929003123504	14T5HE/COR/46-850/MF21/G 25/1	2100 lm
929003134004	24T5HO/COR/46-835/IF33/G/DIM 25/1	3300 lm
929003134104	24T5HO/COR/46-840/IF35/G/DIM 25/1	3500 lm
929003134204	24T5HO/COR/46-850/IF35/G/DIM 25/1	3500 lm

Temperature

Order Code	Full Product Name	T-Case Maximum (Nom)
929001283804	24T5HO/46-835/IF33/P/DIM 10/1	45 °C
929001283904	24T5HO/46-840/IF35/P/DIM 10/1	45 °C
929001284004	24T5HO/46-850/IF35/P/DIM 10/1	45 °C
929001823104	8T5HE/22-830/IF10/G/DIM 10/1	70 °C
929001823204	8T5HE/22-835/IF10/G/DIM 10/1	70 °C
929001823304	8T5HE/22-840/IF10/G/DIM 10/1	70 °C
929001823404	8T5HE/22-850/IF10/G/DIM 10/1	70 °C

Order Code	Full Product Name	T-Case Maximum (Nom)
929001823504	11T5HE/34-830/IF14/G/DIM 10/1	70 °C
929001823604	11T5HE/34-835/IF14/G/DIM 10/1	70 °C
929001823704	11T5HE/34-840/IF15/G/DIM 10/1	70 °C
929001823804	11T5HE/34-850/IF15/G/DIM 10/1	70 °C
929001823904	14T5HE/46-830/IF20/G/DIM 10/1	70 °C
929001824004	14T5HE/46-835/IF20/G/DIM 10/1	70 °C
929001824104	14T5HE/46-840/IF21/G/DIM 10/1	70 °C

Order Code	Full Product Name	T-Case Maximum (Nom)
929001824204	14T5HE/46-850/IF21/G/DIM 10/1	70 °C
929003122404	25T5HO/COR/46-835/MF33/G 25/1	75 °C
929003122504	25T5HO/COR/46-840/MF35/G 25/1	75 °C
929003122604	25T5HO/COR/46-850/MF35/G 25/1	75 °C
929003122704	8T5HE/COR/22-835/MF10/G 25/1	70 °C
929003122804	8T5HE/COR/22-840/MF10/G 25/1	70 °C
929003122904	8T5HE/COR/22-850/MF10/G 25/1	70 °C
929003123004	10T5HE/COR/34-835/MF13/G 25/1	70 °C
929003123104	10T5HE/COR/34-840/MF14/G 25/1	70 °C
929003123204	10T5HE/COR/34-850/MF14/G 25/1	70 °C
929003123304	14T5HE/COR/46-835/MF20/G 25/1	70 °C
929003123404	14T5HE/COR/46-840/MF21/G 25/1	70 °C
929003123504	14T5HE/COR/46-850/MF21/G 25/1	70 °C
929003134004	24T5HO/COR/46-835/IF33/G/DIM 25/1	70 °C
929003134104	24T5HO/COR/46-840/IF35/G/DIM 25/1	70 °C
929003134204	24T5HO/COR/46-850/IF35/G/DIM 25/1	70 °C



T5

