



# Attractive, dimmable, and affordable LED BR30 lamp solution

## LED BR30

Philips BR30 LED lamps are the smart alternative to standard incandescent. The traditional lamp design can provide excellent dimming performance with spectacular energy savings. They provide the beautiful light and dependable performance you expect from LED at an economical price.

### Benefits

- Long life -- lowers maintenance costs by reducing re-lamp frequency
- Excellent color consistency with available high 90+ color rendering (CRI)
- Certain offerings feature a warm glow effect that provides an incandescent-like glow, while maintaining CRI throughout dimming range

### Features

- Available smooth dimming options
- Traditional look and feel of size, shape, and material
- Up to 25,000-hour rated average life
- Instant on
- ENERGY STAR certified options

### Application

- Hotels/Motels
- Restaurants
- Offices

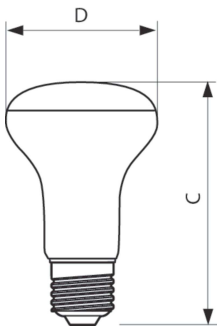
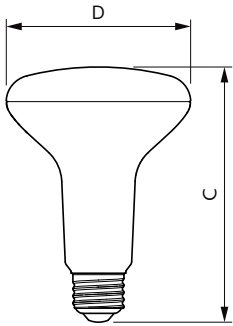
# LED BR30

## Versions



Single Contact Medium Screw  
BR30 (BR30) Frosted

## Dimensional drawing



Product	D	C
15BR30/PER/950/E26/DIM/HO 4/1FB T20	94 mm	130 mm
15BR30/PER/927-22/E26/WG/HO 4/1FB T20	94 mm	130 mm

Product	D	C
7.2BR30/PER/940/P/E26/DIM 6/1FB T20	95 mm	132 mm
7.2BR30/PER/927/P/E26/DIM 6/1FB T20	95 mm	132 mm
7.2BR30/PER/950/P/E26/DIM 6/1FB T20	95 mm	132 mm
7.2BR30/PER/930/P/E26/DIM 6/1FB T20	95 mm	132 mm
7.2BR30/PER/922-27/P/E26/WG 6/1FB	95 mm	132 mm

# LED BR30

## Controls and Dimming

Dimmable	Yes
----------	-----

## Operating and Electrical

Input Frequency	60 Hz
Voltage (Nom)	120 V
Starting Time (Nom)	0.5 s

## General Information

Cap-Base	E26
Nominal Lifetime (Nom)	15000 h
Switching Cycle	50000X

## Light Technical

Color Rendering Index (Nom)	90
Llmf At End Of Nominal Lifetime (Nom)	70 %

## Mechanical and Housing

Bulb Finish	Frosted
-------------	---------

## Approval and Application

Order Code	Full Product Name	Energy Consumption kWh/1000 h	Energy Efficiency Label (EEL)
929001870334	7.2BR30/PER/922-27/P/E26/WG 6/1FB	- kWh	Not applicable
929002032104	7.2BR30/PER/930/P/E26/DIM 6/1FB T20	- kWh	Not applicable
929002032204	7.2BR30/PER/940/P/E26/DIM 6/1FB T20	- kWh	Not applicable
929002092304	7.2BR30/PER/927/P/E26/DIM 6/1FB T20	- kWh	Not applicable
929002204163	7.2BR30/PER/950/P/E26/DIM 6/1FB T20	- kWh	Not applicable
929002351303	15BR30/PER/950/E26/DIM/HO 4/1FB T20	-	-
929002351403	15BR30/PER/927-22/E26/WG/HO 4/1FB T20	-	-

## Operating and Electrical

Order Code	Full Product Name	Wattage Equivalent	Power (Rated) (Nom)
929001870334	7.2BR30/PER/922-27/P/E26/WG 6/1FB	65 W	7.2 W
929002032104	7.2BR30/PER/930/P/E26/DIM 6/1FB T20	65 W	7.2 W
929002032204	7.2BR30/PER/940/P/E26/DIM 6/1FB T20	65 W	7.2 W
929002092304	7.2BR30/PER/927/P/E26/DIM 6/1FB T20	65 W	7.2 W

Order Code	Full Product Name	Wattage Equivalent	Power (Rated) (Nom)
929002204163	7.2BR30/PER/950/P/E26/DIM 6/1FB T20	65 W	7.2 W
929002351303	15BR30/PER/950/E26/DIM/HO 4/1FB T20	100 W	15 W
929002351403	15BR30/PER/927-22/E26/WG/HO 4/1FB T20	100 W	15 W

## Light Technical

Order Code	Full Product Name	Beam Angle (Nom)	Correlated Color		Luminous Flux (Nom)
			Color Code	Temperature (Nom)	
929001870334	7.2BR30/PER/922-27/P/E26/WG 6/1FB	90 °	922-927	- K	650 lm
929002032104	7.2BR30/PER/930/P/E26/DIM 6/1FB T20	90 °	930	3000 K	650 lm
929002032204	7.2BR30/PER/940/P/E26/DIM 6/1FB T20	90 °	940	4000 K	650 lm
929002092304	7.2BR30/PER/927/P/E26/DIM 6/1FB T20	110 °	927	2700 K	650 lm

Order Code	Full Product Name	Beam Angle (Nom)	Correlated Color		Luminous Flux (Nom)
			Color Code	Temperature (Nom)	
929002204163	7.2BR30/PER/950/P/E26/DIM 6/1FB T20	110 °	950	5000 K	650 lm
929002351303	15BR30/PER/950/E26/DIM/HO 4/1FB T20	110 °	950	5000 K	1400 lm
929002351403	15BR30/PER/927-22/E26/WG/HO 4/1FB T20	110 °	927-922	2700, 2200 K	1400 lm

# LED BR30

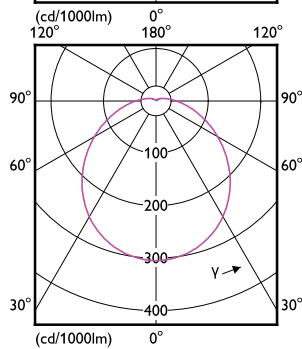
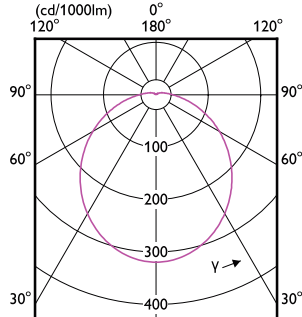
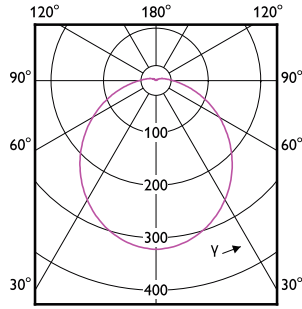
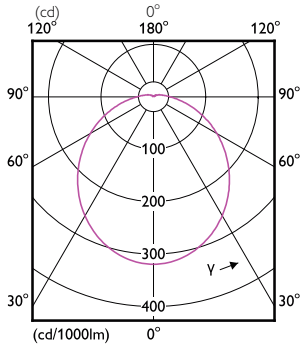
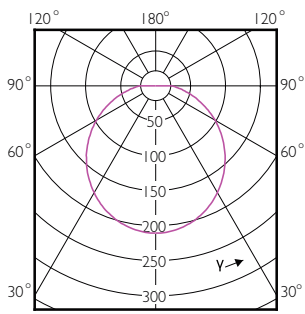
## Mechanical and Housing

Order Code	Full Product Name	Bulb Shape
929001870334	7.2BR30/PER/922-27/P/E26/WG 6/1FB	BR30 (BR30)
929002032104	7.2BR30/PER/930/P/E26/DIM 6/1FB T20	BR-30 (BR30)
929002032204	7.2BR30/PER/940/P/E26/DIM 6/1FB T20	BR-30 (BR30)
929002092304	7.2BR30/PER/927/P/E26/DIM 6/1FB T20	BR30 (BR30)

Order Code	Full Product Name	Bulb Shape
929002204163	7.2BR30/PER/950/P/E26/DIM 6/1FB T20	BR30 (BR30)
929002351303	15BR30/PER/950/E26/DIM/HO 4/1FB T20	BR30
929002351403	15BR30/PER/927-22/E26/WG/HO 4/1FB T20	BR30

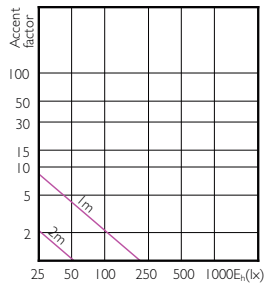
## Temperature

Order Code	Full Product Name	T-Case Maximum (Nom)
929001870334	7.2BR30/PER/922-27/P/E26/WG 6/1FB	75 °C
929002032104	7.2BR30/PER/930/P/E26/DIM 6/1FB T20	75 °C
929002032204	7.2BR30/PER/940/P/E26/DIM 6/1FB T20	75 °C
929002092304	7.2BR30/PER/927/P/E26/DIM 6/1FB T20	70 °C
929002204163	7.2BR30/PER/950/P/E26/DIM 6/1FB T20	70 °C
929002351303	15BR30/PER/950/E26/DIM/HO 4/1FB T20	95 °C
929002351403	15BR30/PER/927-22/E26/WG/HO 4/1FB T20	95 °C



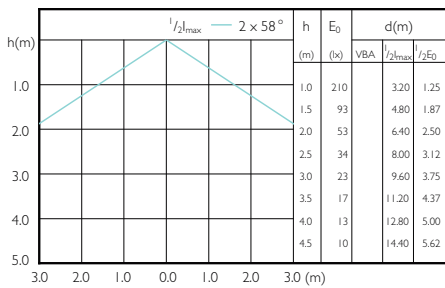
# LED BR30

## Accent Diagrams



**LEDBulbs BR30 120V 19-120W 1200lm 2700K  
E26 D**

## Beam Diagrams



**LEDBulbs BR30 120V 19-120W 1200lm 2700K  
E26 D**

