



# Philips TownTune Asymmetric Lyre - Extending the home feel onto the street

## TownTune Asymmetric Lyre

Designed to enhance existing and scalable urban spaces, the Philips TownTune family offers all the latest lighting innovations in terms of performance, quality of light and connectivity. The family consists of four solutions: a Central Post Top (CPT), an Asymmetric Spigot Post Top / Side Entry version (ASY), a version with an extending Lyre post top bracket (Lyre), and a Central Post Top with a Conical Comfort Bowl (CCB). Each TownTune luminaire can be customized with a choice of different shapes on top of the housing, plus there's the option to add a decorative ring, which comes in two colors (excluding CCB). Design options that enable you to create your very own lighting signature and bring a distinctive identity to districts and cities. In addition, every luminaire in the TownTune family is uniquely identifiable, thanks to the Signify Service tag app. By simply scanning a QR code, placed inside the door of the mast or directly on the luminaire, you can instantly access the configuration of the luminaire. This makes maintenance and programming operations faster and easier and enables you to create your digital library of lighting assets and spare parts. TownTune also uses the Philips LEDGINE-O lighting platform, ensuring you always have the right amount and direction of light on your street. Furthermore, thanks to being system ready (SR), TownTune is also future proof. A solution that's ready to be paired with both standalone and advanced control and lighting software applications such as Interact City.

# TownTune Asymmetric Lyre

## Benefits

- LEDGINE-O platform for great performance, choice color temperatures and light distributions
- Optimized Total Cost of Ownership (L-Tune for flux tuning, standalone controls e.g., LumiStep, Dynadimmer, CLO (Constant Light output), LineSwitch)
- Ready to pair with advanced systems and software applications e.g., Interact City
- Long lifetime: 100,000 hours @L85 and higher
- Easy access to gear, vandal resistant (IK10), high ingress protection (IP66)

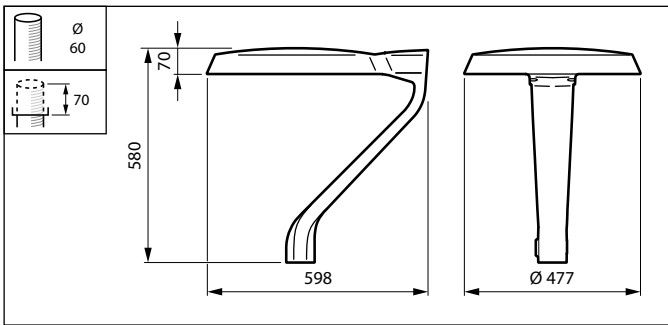
## Features

- Simple design for easy integration into urban spaces, wide range of accessories for customization
- Suitable for new and retrofit installa
- Range of lumen packages (1200 to 12000 lm) and CCTs (2200K, 2700K, 3000K, 4000K)
- Dedicated bowl for visual comfort and comfortable lighting experiences
- Service tag for easy installation and maintenance.

## Application

- Urban and residential areas
- Cycle paths, footpaths and pedestrian crossings
- City centers and squares
- Car parks

## Dimensional drawing



## Product details



TownTune LYR BDP270



TownTune ASY BDP265

# TownTune Asymmetric Lyre

## Product details



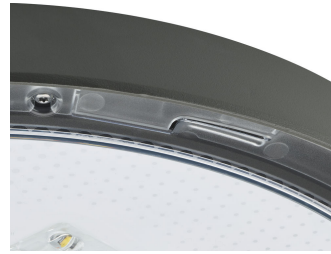
TownTune ASY BDP265



TownTune ASY BDP265



TownTune ASY BDP265



TownTune ASY DR BDP266



TownTune ASY BDP265

# TownTune Asymmetric Lyre

General Information	
CE mark	Yes
Driver included	Yes
Flammability mark	For mounting on normally flammable surfaces
Light source replaceable	Yes
Number of gear units	1 unit
Product family code	BDP270
Service tag	Yes
Light Technical	
Optical cover/lens type	Polycarbonate bowl/cover UV-resistant
Standard tilt angle side entry	-
Standard tilt angle posttop	0°
Upward light output ratio	0
Mechanical and Housing	
Housing Color	Gray
Approval and Application	
Mech. impact protection code	IK09
Ingress protection code	IP66
Surge Protection (Common/Differential)	Philips standard surge protection level
Application Conditions	
Maximum dim level	10%

## General Information

Order Code	Full Product Name	Lamp family code
912300024206	BDP270 LED40-4S/830 DM50 CLO DDF3 62P	LED40
912300024210	BDP270 LED12-4S/740 DN10 CLO SRT SRB 62P	LED12
912300024462	BDP270 LED79-4S/830 II DS50 62P	LED79
912300024463	BDP270 LED50-4S/830 II DM10 62P	LED50
912300024874	BDP270 LED69-4S/740 PSDD II DM10 DGR DF2	LED69

## Light Technical (1/2)

Order Code	Full Product Name	Luminaire light beam spread	Light source color	Correlated Color Temperature (Nom)	Color rendering index (CRI)
912300024206	BDP270	6° - 79° x 154°	830	3000 K	>80
	LED40-4S/830		warm		
	DM50 CLO		white		
	DDF3 62P				
912300024210	BDP270	12° - 59° x 158°	740	4000 K	>70
	LED12-4S/740		neutral		
	DN10 CLO SRT		white		
	SRB 62P				
912300024462	BDP270	152° x 155°	830	3000 K	>80
	LED79-4S/830		warm		
	II DS50 62P		white		

Order Code	Full Product Name	Luminaire light beam spread	Light source color	Correlated Color Temperature (Nom)	Color rendering index (CRI)
912300024463	BDP270	77° - 11° x 156°	830	3000 K	>80
	LED50-4S/830		warm		
	II DM10 62P		white		
912300024874	BDP270	77° - 11° x 156°	740	4000 K	>70
	LED69-4S/740		neutral		
	PSDD II DM10		white		
	DGR DF2				

## Light Technical (2/2)

## TownTune Asymmetric Lyre

Order Code	Full Product Name	Luminous Flux	Number of light sources	Optic type outdoor
912300024206	BDP270 LED40-4S/830 DM50 CLO DDF3 62P	2,888 lumen	-	Distribution medium 50
912300024210	BDP270 LED12-4S/740 DN10 CLO SRT SRB 62P	936 lumen	-	Distribution narrow 10
912300024462	BDP270 LED79-4S/830 II DS50 62P	5,840 lumen	-	Distribution symmetrical 50

Order Code	Full Product Name	Luminous Flux	Number of light sources	Optic type outdoor
912300024463	BDP270 LED50-4S/830 II DM10 62P	3,900 lumen	-	Distribution medium 10
912300024874	BDP270 LED69-4S/740 PSDD II DM10 DGR DF2	5,530 lumen	30	Distribution medium 10

### Operating and Electrical

Order Code	Full Product Name	Power Consumption
912300024206	BDP270 LED40-4S/830 DM50 CLO DDF3 62P	30.5 W
912300024210	BDP270 LED12-4S/740 DN10 CLO SRT SRB 62P	8.5 W
912300024462	BDP270 LED79-4S/830 II DS50 62P	60 W

Order Code	Full Product Name	Power Consumption
912300024463	BDP270 LED50-4S/830 II DM10 62P	40 W
912300024874	BDP270 LED69-4S/740 PSDD II DM10 DGR DF2	41.5 W

### Controls and Dimming

Order Code	Full Product Name	Dimmable
912300024206	BDP270 LED40-4S/830 DM50 CLO DDF3 62P	Yes
912300024210	BDP270 LED12-4S/740 DN10 CLO SRT SRB 62P	Yes
912300024462	BDP270 LED79-4S/830 II DS50 62P	No

Order Code	Full Product Name	Dimmable
912300024463	BDP270 LED50-4S/830 II DM10 62P	No
912300024874	BDP270 LED69-4S/740 PSDD II DM10 DGR DF2	Yes

### Over Time Performance (IEC Compliant)

Order Code	Full Product Name	Driver failure rate at 5000 h
912300024206	BDP270 LED40-4S/830 DM50 CLO DDF3 62P	0.5 %
912300024210	BDP270 LED12-4S/740 DN10 CLO SRT SRB 62P	0.5 %
912300024462	BDP270 LED79-4S/830 II DS50 62P	0.5 %

Order Code	Full Product Name	Driver failure rate at 5000 h
912300024463	BDP270 LED50-4S/830 II DM10 62P	0.5 %
912300024874	BDP270 LED69-4S/740 PSDD II DM10 DGR DF2	-

