



The best LED solution for High Intensity Discharge (HID) lamp replacement

TrueForce LED Industrial and Retail Mains (Highbay – HPI/SON/HPL)

Philips TrueForce LED I&R mains lamps offer an easy and short payback LED solution to replace High Intensity Discharge (HID) lamps. The products bring the energy efficiency and long lifetime benefits of LED to HID replacement and provide instant saving and low initial investment. With the right lamp size and light distribution, you can easily retrofit TrueForce LED I&R mains lamps and bypass the existing ballast while enhancing the lighting quality.

Benefits

- Cost saving with short payback time
- Low initial investment
- Enhance lighting quality with easy adoption

Features

- High energy efficiency
- Lifetime 50,000hrs
- Right lighting distribution
- Connect to mains directly and save additional energy
- Pleasant white light with CRI 80

Application

- Industrial/retail - warehouses, factories, shops, transport hubs

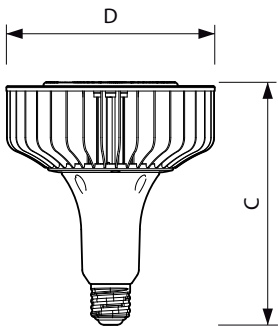
TrueForce LED Industrial and Retail Mains (Highbay – HPI/SON/HPL)

Versions



Trueforce E40 T50 frost-NB

Dimensional drawing



Product	D	C
TForce LED HB MV ND 200-160W E40 840 NB	211 mm	263 mm
TForce LED HB MV ND 200-160W E40 840 WB	211 mm	263 mm
TForce LED HB MV ND 120-100W E40 840 NB	211 mm	252 mm
TForce LED HB MV ND 120-100W E40 840 WB	211 mm	252 mm

Approval and Application

Energy Efficiency Label (EEL) A+

Controls and Dimming

Dimmable No

Operating and Electrical

Input Frequency 50 to 60 Hz

Voltage (Nom) 220-240 V

General Information

Cap-Base E40

Nominal Lifetime (Nom) 50000 h

Rated Lifetime (Hours) 50000 h

Switching Cycle 50000X

Light Technical

Color Code 840

Correlated Color Temperature (Nom) 4000 K

Color Rendering Index (Nom) 80

Llmf At End Of Nominal Lifetime (Nom) 70 %

Approval and Application

Order Code	Full Product Name	Energy Consumption kWh/1000 h
929001812402	TForce LED HB MV ND 200-160W E40 840 NB	160 kWh
929001812502	TForce LED HB MV ND 200-160W E40 840 WB	160 kWh
929001929702	TForce LED HB MV ND 120-100W E40 840 NB	100 kWh
929001929802	TForce LED HB MV ND 120-100W E40 840 WB	100 kWh

Operating and Electrical

TrueForce LED Industrial and Retail Mains (Highbay – HPI/SON/HPL)

Order Code	Full Product Name	Wattage Equivalent	Power (Rated) (Nom)	Starting Time (Nom)
929001812402	TForce LED HB MV ND 200-160W E40 840 NB	400 W	160 W	0.7 s
929001812502	TForce LED HB MV ND 200-160W E40 840 WB	400 W	160 W	0.7 s

Order Code	Full Product Name	Wattage Equivalent	Power (Rated) (Nom)	Starting Time (Nom)
929001929702	TForce LED HB MV ND 120-100W E40 840 NB	250 W	100 W	0.5 s
929001929802	TForce LED HB MV ND 120-100W E40 840 WB	250 W	100 W	0.5 s

Light Technical

Order Code	Full Product Name	Beam Angle (Nom)	Luminous Flux (Nom)	Luminous Flux (Rated) (Nom)
929001812402	TForce LED HB MV ND 200-160W E40 840 NB	60 °	20000 lm	20000 lm
929001812502	TForce LED HB MV ND 200-160W E40 840 WB	120 °	20000 lm	20000 lm

Order Code	Full Product Name	Beam Angle (Nom)	Luminous Flux (Nom)	Luminous Flux (Rated) (Nom)
929001929702	TForce LED HB MV ND 120-100W E40 840 NB	60 °	12000 lm	12000 lm
929001929802	TForce LED HB MV ND 120-100W E40 840 WB	120 °	12000 lm	12000 lm

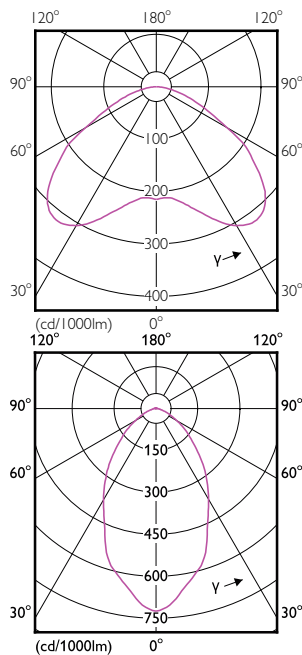
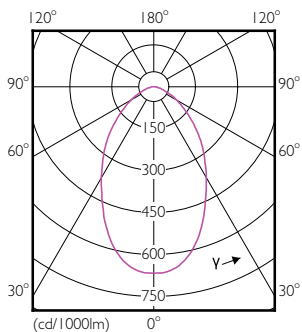
Mechanical and Housing

Order Code	Full Product Name	Bulb Finish	Bulb Shape
929001812402	TForce LED HB MV ND 200-160W E40 840 NB	Frosted	T50
929001812502	TForce LED HB MV ND 200-160W E40 840 WB	Frosted	T50

Order Code	Full Product Name	Bulb Finish	Bulb Shape
929001929702	TForce LED HB MV ND 120-100W E40 840 NB	-	Others
929001929802	TForce LED HB MV ND 120-100W E40 840 WB	-	Others

Temperature

Order Code	Full Product Name	T-Case Maximum (Nom)
929001812402	TForce LED HB MV ND 200-160W E40 840 NB	100 °C
929001812502	TForce LED HB MV ND 200-160W E40 840 WB	100 °C
929001929702	TForce LED HB MV ND 120-100W E40 840 NB	70 °C
929001929802	TForce LED HB MV ND 120-100W E40 840 WB	70 °C



TrueForce LED Industrial and Retail Mains (Highbay – HPI/SON/HPL)

