



Philips TownTune Central Post Top - Extending the home feel onto the street

TownTune Central Post-Top DTD

Designed to enhance existing and scalable urban spaces, the Philips TownTune family offers all the latest lighting innovations in terms of performance, quality of light and connectivity. The family consists of four solutions: a Central Post Top (CPT), an Asymmetric Spigot Post Top / Side Entry version (ASY), a version with an extending Lyre post top bracket (Lyre), and a Central Post Top with a Conical Comfort Bowl (CCB). Each TownTune luminaire can be customized with a choice of different shapes on top of the housing, plus there's the option to add a decorative ring, which comes in two colors (excluding CCB). Design options that enable you to create your very own lighting signature and bring a distinctive identity to districts and cities. In addition, every luminaire in the TownTune family is uniquely identifiable, thanks to the Signify Service tag app. By simply scanning a QR code, placed inside the door of the mast or directly on the luminaire, you can instantly access the configuration of the luminaire. This makes maintenance and programming operations faster and easier and enables you to create your digital library of lighting assets and spare parts. TownTune also uses the Philips LEDGINE-O lighting platform, ensuring you always have the right amount and direction of light on your street. Furthermore, thanks to being system ready (SR), TownTune is also future proof. A solution that's ready to be paired with both standalone and advanced control and lighting software applications such as Interact City.

TownTune Central Post-Top DTD

Benefits

- LEDGINE-O platform for great performance, choice color temperatures and light distributions
- Optimized Total Cost of Ownership (L-Tune for flux tuning, standalone controls e.g., LumiStep, Dynadimmer, CLO (Constant Light output), LineSwitch)
- Ready to pair with advanced systems and software applications e.g., Interact City
- Long lifetime: 100,000 hours @L85 and higher
- Easy access to gear, vandal resistant (IK10), high ingress protection (IP66)

Features

- Simple design for easy integration into urban spaces, wide range of accessories for customization
- Suitable for new and retrofit installations
- Range of lumen packages (1200 to 12000 lm) and CCTs (2200K, 2700K, 3000K, 4000K)
- Dedicated bowl for visual comfort and comfortable lighting experiences
- Service tag for easy installation and maintenance.

Application

- Urban and residential areas
- Cycle paths, footpaths and pedestrian crossings
- City centers and squares
- Car parks

Versions

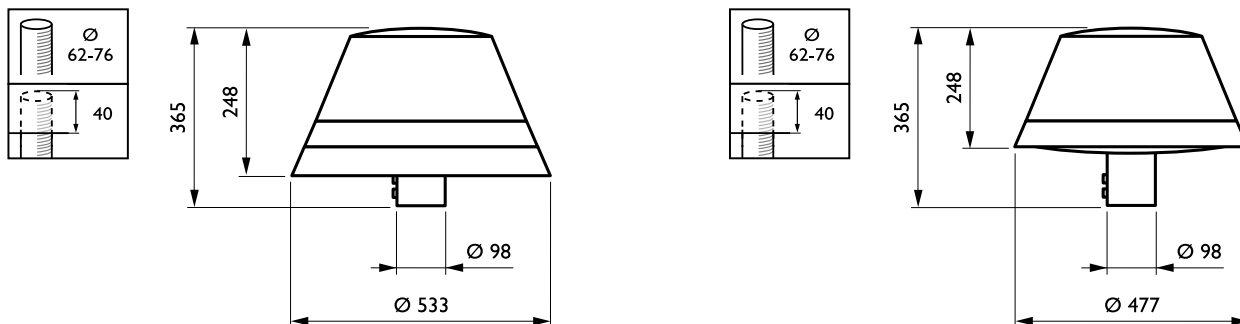


TownTune CPT DTD BDP263



TownTune CPT DTD DR GO BDP263

Dimensional drawing



TownTune Central Post-Top DTD

General Information

CE mark	Yes
Driver included	Yes
Flammability mark	For mounting on normally flammable surfaces
Light source replaceable	Yes
Number of gear units	1 unit
Product family code	BDP263
Service tag	Yes

Light Technical

Optical cover/lens type	Polycarbonate bowl/cover UV-resistant
Standard tilt angle side entry	-
Standard tilt angle posttop	0°
Upward light output ratio	0

Mechanical and Housing

Housing Color	Gray
---------------	------

Approval and Application

Mech. impact protection code	IK10
Ingress protection code	IP66
Surge Protection (Common/Differential)	Philips standard surge protection level

Over Time Performance (IEC Compliant)

Driver failure rate at 5000 h	0.5 %
-------------------------------	-------

Application Conditions

Maximum dim level	10%
-------------------	-----

General Information

Order Code	Full Product Name	Lamp family code
912300024162	BDP263 LED74-4S/830 DW10 CLO SRTB 62P	LED74
912300024158	BDP263 LED30-4S/740 DW50 CLO-DDF1 62P DR	LED30
912300024452	BDP263 LED79-4S/830 PSU II DS50 62P	LED79
912300024453	BDP263 LED50-4S/830 PSU II DM10 62P	LED50

Light Technical (1/2)

Order Code	Full Product Name	Luminaire light beam spread	Light source color	Correlated Color Temperature (Nom)	Color rendering index (CRI)
912300024162	BDP263 LED74-4S/830 DW10 CLO SRTB 62P	52° - 7° x 151°	830 warm white	3000 K	>80
912300024158	BDP263 LED30-4S/740	6° - 18° x 133°	740 neutral white	4000 K	>70

Order Code	Full Product Name	Luminaire light beam spread	Light source color	Correlated Color Temperature (Nom)	Color rendering index (CRI)
912300024452	BDP263 LED79-4S/830 PSU II DS50 62P	152° x 155°	830 warm white	3000 K	>80
912300024453	BDP263 LED50-4S/830 PSU II DM10 62P	77° - 11° x 156°	830 warm white	3000 K	>80

Light Technical (2/2)

TownTune Central Post-Top DTD

Order Code	Full Product Name	Luminous Flux	Number of light sources	Optic type outdoor
912300024162	BDP263 LED74-4S/830 DW10 CLO SRTB 62P	5,180 lumen	-	Distribution wide 10
912300024158	BDP263 LED30-4S/740 DW50 CLO-DDF1 62P DR	2,001 lumen	-	Distribution wide 50

Order Code	Full Product Name	Luminous Flux	Number of light sources	Optic type outdoor
912300024452	BDP263 LED79-4S/830 PSU II DS50 62P	5,520 lumen	40	Distribution symmetrical 50
912300024453	BDP263 LED50-4S/830 PSU II DM10 62P	3,500 lumen	20	Distribution medium 10

Operating and Electrical

Order Code	Full Product Name	Power Consumption
912300024162	BDP263 LED74-4S/830 DW10 CLO SRTB 62P	53 W
912300024158	BDP263 LED30-4S/740 DW50 CLO-DDF1 62P DR	18.6 W

Order Code	Full Product Name	Power Consumption
912300024452	BDP263 LED79-4S/830 PSU II DS50 62P	60 W
912300024453	BDP263 LED50-4S/830 PSU II DM10 62P	40.5 W

Controls and Dimming

Order Code	Full Product Name	Dimmable
912300024162	BDP263 LED74-4S/830 DW10 CLO SRTB 62P	Yes
912300024158	BDP263 LED30-4S/740 DW50 CLO-DDF1 62P DR	Yes

Order Code	Full Product Name	Dimmable
912300024452	BDP263 LED79-4S/830 PSU II DS50 62P	No
912300024453	BDP263 LED50-4S/830 PSU II DM10 62P	No

