



Trusted performance. Every day.

Ledinaire panel

The Philips Ledinaire panel Gen5 (RC065B/RC066B) range features a selection of popular off-the-shelf LED luminaires that offer Philips high quality at a competitive price. Reliable, energy-efficient and affordable, this latest generation of 600 x 600 mm, 620 x 620 mm, 300 x 1200 mm, and 600 x 1200 Ledinaire LED panel lights are designed for diffuse, comfortable lighting in a wide range of general lighting applications. Our range of Ledinaire panels lighting is also available with accessories for easy installation on different types of ceilings—just what you need.

Benefits

- No risks, trusted performance
- Good quality, easy to use
- No confusion, easy product selection
- Innovative All-in multicolor and basic lighting control versions
- Broad range

Features

- 3400 lm/ 3600 lm / 4100 lm: L80 at 50K hrs, L70 75K hrs and 3-year warranty
- IP20/IP40
- Connectors: white quick connectors and flywire
- Sizes: 60 x 60 mm / 62 x 62 mm / 30 x 120 mm / 60 x 120 mm
- Color rendering: CRI 80 at SDCM <5
- 3000K / 3500K / 4000K / 6500K
- PSU / PSD
- Efficacy: 120Lm/W
- All-in: 3000K, 3500K, and 4000K in one luminaire
- Emergency lighting via standalone emergency lighting kit

Ledinaire panel

Application

- Offices
- Healthcare
- Education
- Municipal buildings
- Retail

Versions

Ledinaire Panel PSD All-in
830_835_840 W60L60 OC



Ledinaire Panel G5 30x120



Ledinaire panel G5 60x120



Ledinaire Panel 60x60



Ledinaire panel G4 W60L120



Ledinaire Panel PSU All-in
830_835_840 W60L60 OC

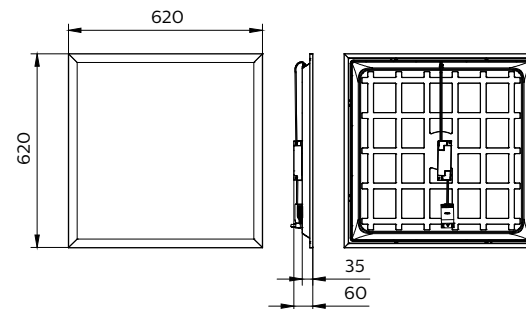
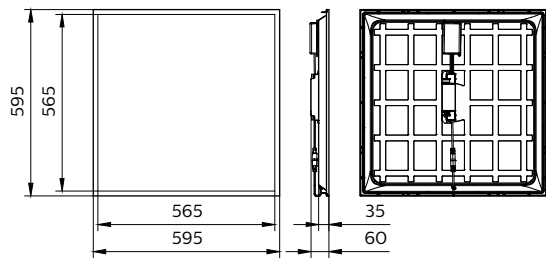
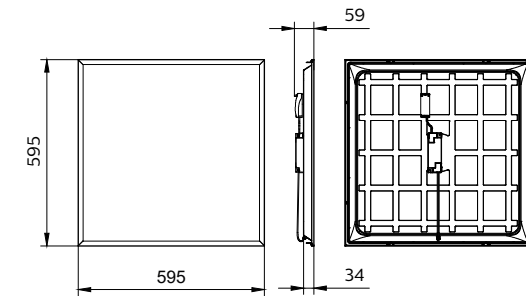
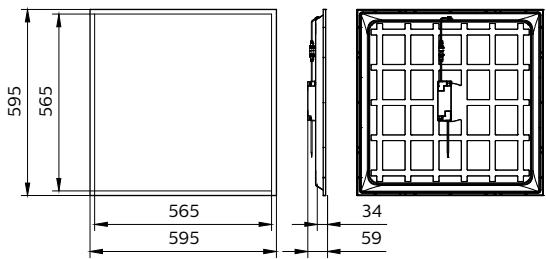
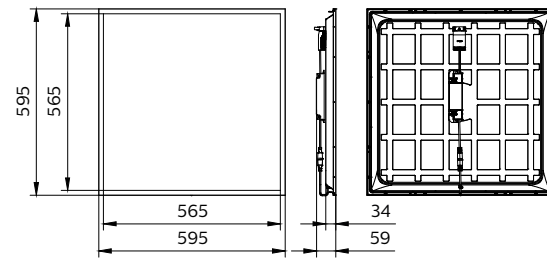
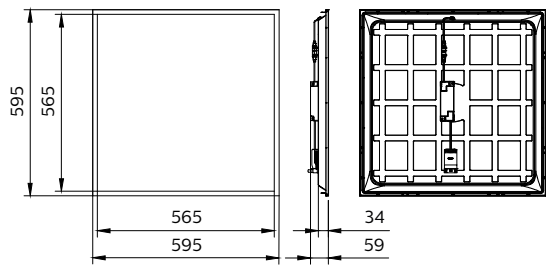
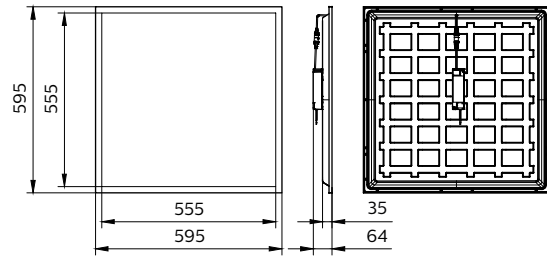
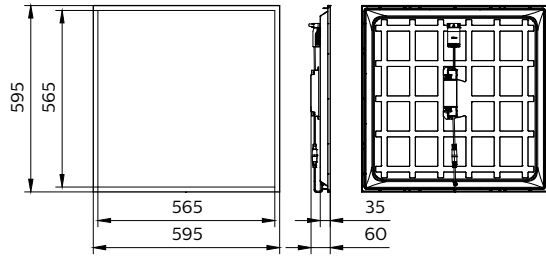


Ledinaire Panel All-in PSU 60x60



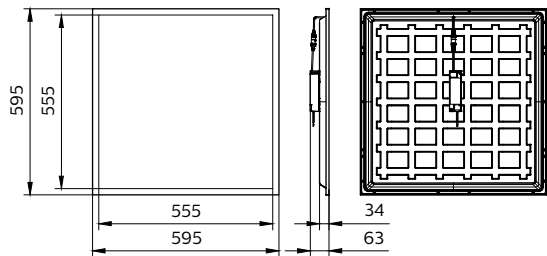
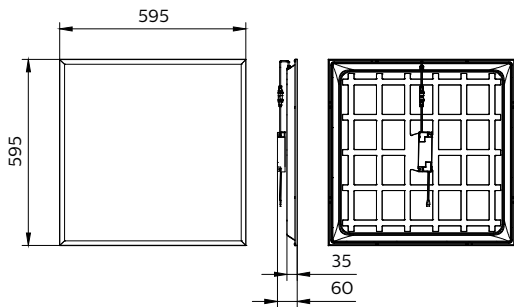
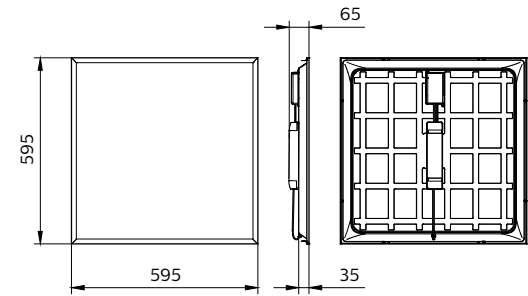
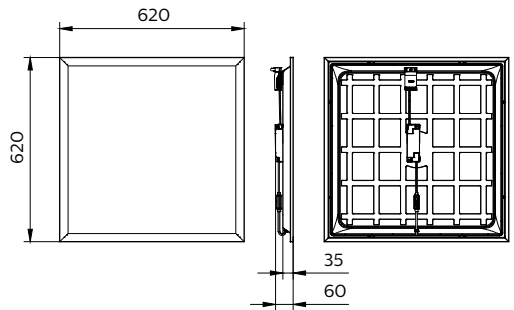
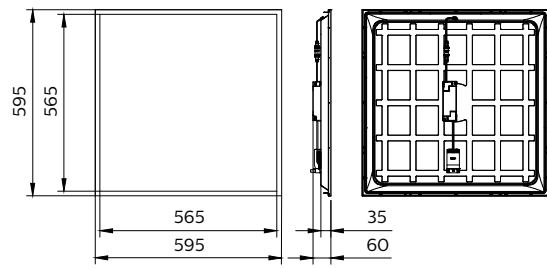
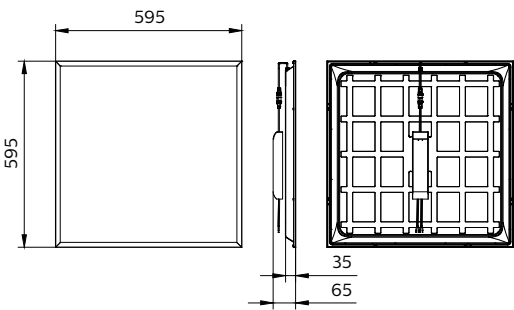
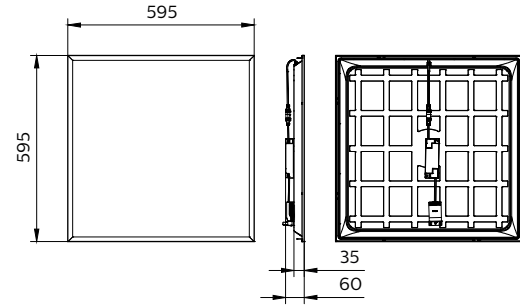
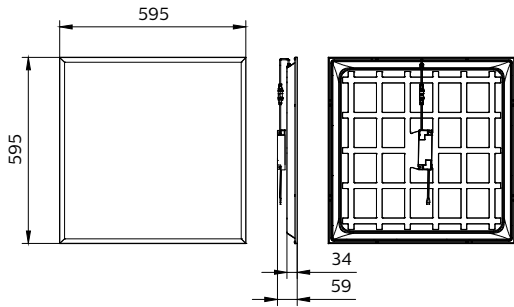
Ledinaire panel

Dimensional drawing



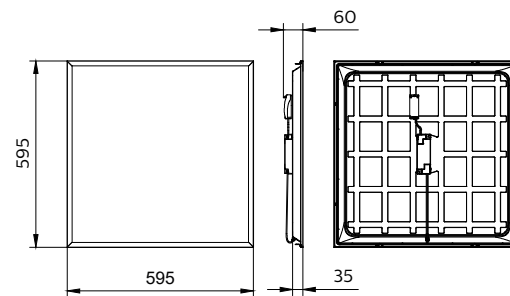
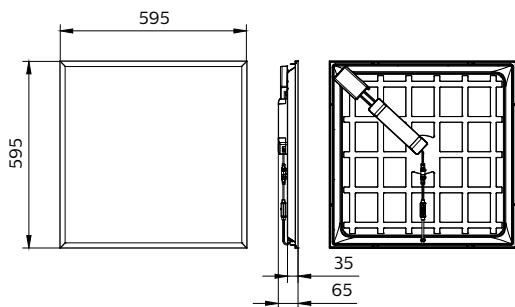
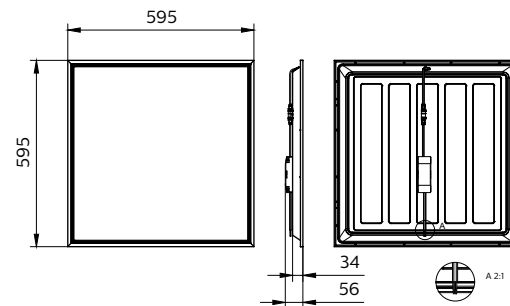
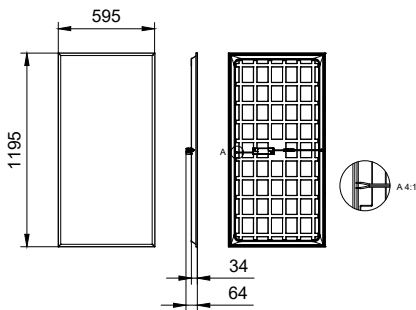
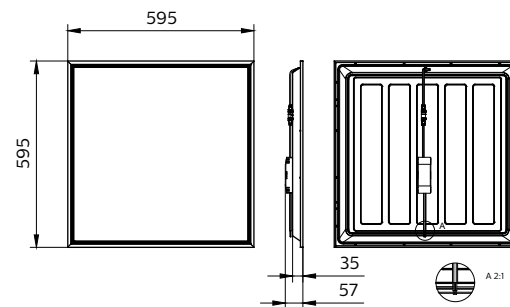
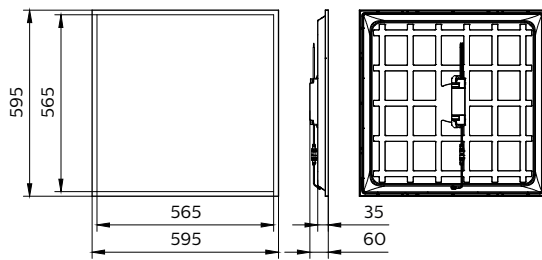
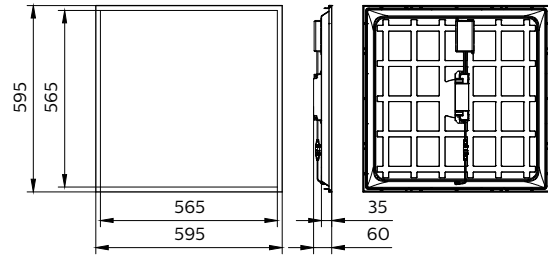
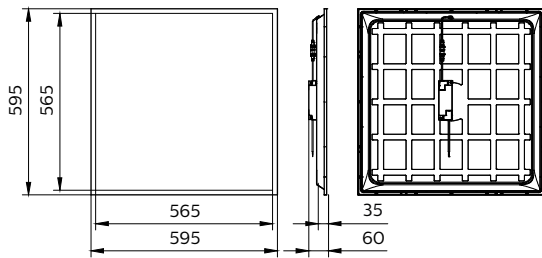
Ledinaire panel

Dimensional drawing



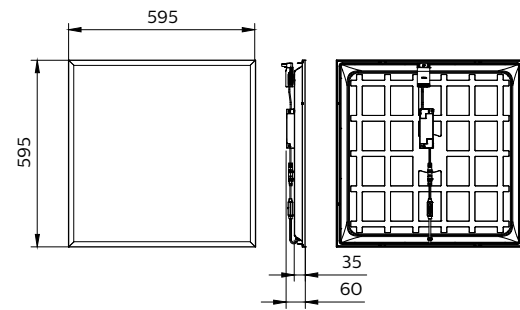
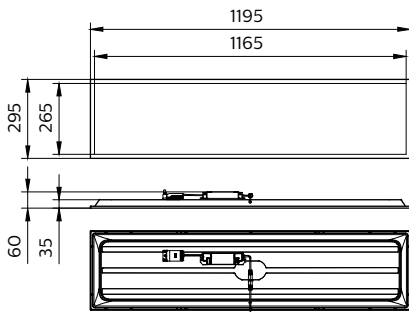
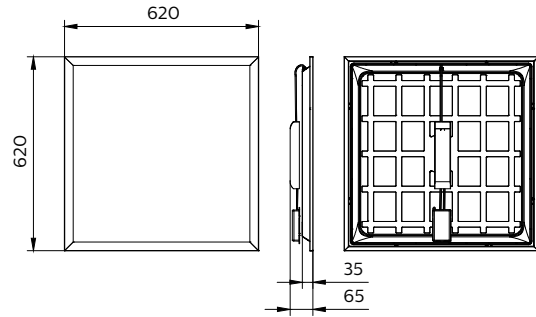
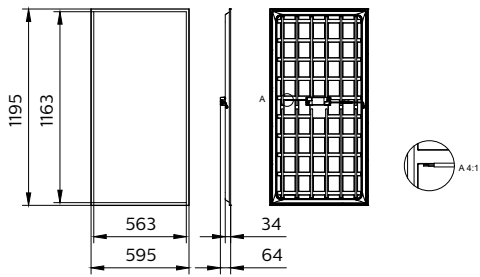
Ledinaire panel

Dimensional drawing



Ledinaire panel

Dimensional drawing



Product details

Ledinaire panel G4 Backside
W62L62



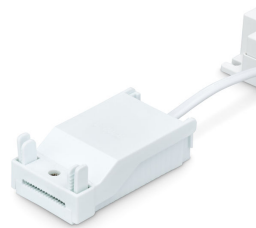
DC plug



Ledinaire Panel G5 All in CCT
Switch 3000K



White Quick connector-closed



Ledinaire panel

Product details



Panel flywires CFW + backside panel



Ledinaire panel G4 Backside W60L120



Ledinaire Panel G5 All in CCT Switch PSU ON OFF Driver Open connector



Ledinaire Panel G5 PSD DALI Driver Open connector



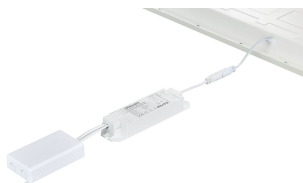
Ledinaire panel G4_BN frame and optical area 60x120



UGR22 optical exit window



Ledinaire Panel G5 All in CCT Switch PSD ON OFF Driver Closed connector



Ledinaire Panel G5 PSD DALI Driver Closed connector



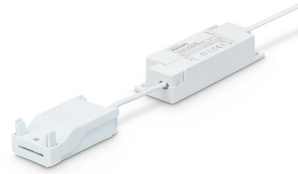
Ledinaire panel gen 4 PSD driver and closed connector

Ledinaire panel

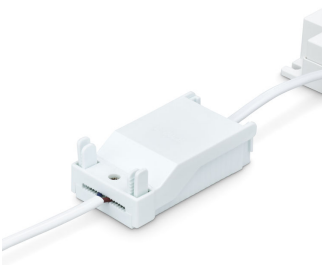
Product details



Ledinaire panel G5 frame and optical area 60x120



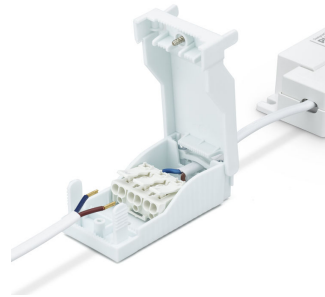
Ledinaire panel G4 Driver + connection wires



White Quick connector+wire-closed



Ledinaire Panel Gen 5-RC065B W60L120-backside



White Quick connector +wire-open



Ledinaire panel gen 4 PSU driver and open connector



Panel front view



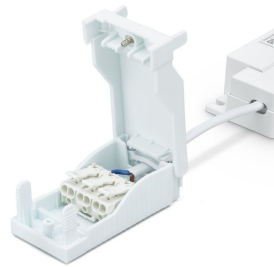
Ledinaire panel G4_All-in Backside 62x62

Ledinaire panel

Product details



DC plug open with driver and panel



White Quick connector-open



Ledinaire Panel G5 All in CCT
Switch PSD ON OFF Driver Open
connector



Ledinaire Panel RC065B G5
30x120 Packaging



Panel flywires CFW



Ledinaire panel G4 Backside
W60L60



Ledinaire Panel RC065B Square
backside



Ledinaire panel G4_BN frame and
optical area 62x62



Ledinaire Panel Gen 5-
RC065B_RC066B Square-
backside-PSU driver and
connector



Ledinaire Panel Gen 5-
RC065B_RC066B Square-
backside

Ledinaire panel

Product details



Ledinaire Panel RC065B G5 PSU
30x120 Backside



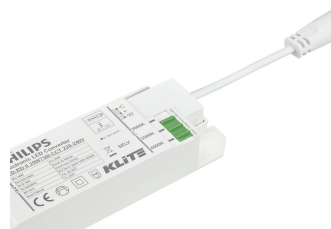
Ledinaire Panel G5 All in CCT
Switch PSU ON OFF Driver Closed
connector



DC plug closed with driver and
panel



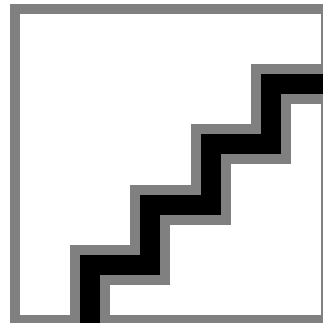
Ledinaire Panel G5 All in CCT
Switch 3500K



Ledinaire Panel G5 All in CCT
Switch 4000K



Ledinaire panel gen 4 PSD driver
and open connector



UGR19 optical exit window



Ledinaire Panel 4100lm backside



Ledinaire Panel Gen 5-RC065B
W60L120-backside-PSU driver
and Flywire

Ledinaire panel

Product details



Ledinaire panel gen 4 PSU driver and closed connector



Multicolour switch panel, CCT switch panel



Ledinaire Panel Gen 5-RC065B_RC066B Square-backside-PSU driver and connector



Multicolour switch panel, CCT switch panel

General Information

Driver included	Yes
Flammability mark	For mounting on normally flammable surfaces
Glow-wire test	Temperature 650 °C, duration 30 s
Number of gear units	1 unit

Light Technical

Flickering value (PstLM) - Flickering value as per EN 61000-3-3	1
---	---

Operating and Electrical

Line Frequency	50 or 60 Hz
----------------	-------------

Mechanical and Housing

Housing Color	White
---------------	-------

Approval and Application

Protection class IEC	Safety class II
Mech. impact protection code	IK02

General Information

Order Code	Full Product Name	CE mark	ENEC mark	Light source replaceable	Service tag
911401823781	RC065B LED41S/840 PSU W60L60 NOC	Yes	-	No	No
911401850682	RC065B LED34S/840 PSD W60L60 OC	Yes	-	No	-
911401850782	RC065B LED34S/830 PSU W60L60 OC	Yes	-	No	-
911401850882	RC065B LED34S/830 PSU W60L60 NOC	Yes	-	No	-
911401877485	RC065B G5 34_36S/830_40 PSD W60L60 OC SC	CE mark	-	-	-
911401819985	RC065B 34S/840 PSU W60L60 NOC BN 2 CL	Yes	-	No	-
911401820085	RC065B 34S/840 PSU W60L60 OC BN 2 CL	Yes	-	No	-
911401820685	RC066B LED34S/840 PSD W62L62 OC BN	Yes	-	No	-
911401825785	RC065B LED34S/840 PSU W60L60 OC 6PK	Yes	-	No	-
911401884580	RC065B LED34S/840 PSU W60L60 OC	Yes	-	No	No
911401884680	RC065B LED34S/865 PSU W60L60 OC	Yes	-	No	No
911401885080	RC065B LED34S/840 PSU W60L60 NOC	Yes	-	No	No
911401885180	RC065B LED34S/865 PSU W60L60 NOC	Yes	-	No	No
911401877585	RC065B G5 34_36S/830_40 PSU 30x120 OC SC	CE mark	-	-	-
911401819585	RC065B LED34S/840 PSU W60L60 OC BN 2	Yes	-	No	-
911401819685	RC065B LED34S/840 PSU W60L60 OC BN6 2	Yes	-	No	-
911401819785	RC065B LED34S/840 PSU W60L60 NOC BN 2	Yes	-	No	-

Ledinaire panel

Order Code	Full Product Name	ENEC		Light source replaceable	Service tag
		CE mark	mark		
911401819885	RC065B LED34S/840 PSU W60L60 NOC BN6 2	Yes	-	No	-
911401820185	RC065B LED34S/840 PSU W60L60 OC BN	Yes	-	No	-
911401820285	RC065B LED34S/840 PSU W60L60 OC BN6	Yes	-	No	-
911401820385	RC065B LED34S/840 PSU W60L60 NOC BN	Yes	-	No	-
911401820485	RC065B LED34S/840 PSU W60L60 NOC BN6	Yes	-	No	-
911401820785	RC065B LED34S/840 PSD W60L60 OC BN	Yes	-	No	-
911401821085	RC065B 34S/840 PSU W60L60 OC TPa BN	Yes	-	No	-
911401821885	RC065B LED34S/830_835_840 PSU W60L60 OC	Yes	-	No	-
911401821985	RC065B LED34S/830_835_840 PSD W60L60 OC	Yes	-	No	-
911401876985	RC065B G5 60S/840 PSU 60x120 NOC TPb CFW	CE mark	-	-	-
911401873985	RC065B G5 34S/840 PSU 6060 NOC CFW 6PK2	CE mark	-	-	-
911401821485	RC065B 60S/840 PSU W60L120 NOC TPb BN	Yes	-	No	-
911401877285	RC065B G5 34_36S/830_40 PSU W60L60 OC SC	CE mark	-	-	-
911401877385	RC065B G5 34_36S/830_40 PSU 60x60 NOC SC	CE mark	-	-	-
911401873685	RC065B G5 34S/840 PSU W60L60 OC CFW 2	CE mark	-	-	-
911401873885	RC065B G5 34S/840 PSU W60L60 NOC CFW 2	CE mark	-	-	-
911401874085	RC065B G5 34S/840 PSU W60L60 NOC CFW 2CL	CE mark	-	-	-
911401874185	RC065B G5 34S/840 PSU W60L60 OC CFW 2 CL	CE mark	-	-	-
911401875185	RC065B G5 34S/840 PSU W60L60 OC CFW	CE mark	-	-	-
911401875285	RC065B G5 34S/840 PSU W60L60 OC SC	CE mark	-	-	-
911401875385	RC065B G5 34S/865 PSU W60L60 OC CFW	CE mark	-	-	-
911401875485	RC065B G5 34S/840 PSU W60L60 NOC CFW	CE mark	-	-	-
911401875585	RC065B G5 34S/840 PSU W60L60 NOC SC	CE mark	-	-	-
911401875685	RC065B G5 34S/865 PSU W60L60 NOC CFW	CE mark	-	-	-
911401875785	RC065B G5 34S/840 PSD W60L60 OC CFW	CE mark	-	-	-
911401875885	RC065B G5 34S/840 PSD W60L60 OC SC	CE mark	-	-	-
911401875985	RC065B G5 41S/840 PSU W60L60 NOC CFW	CE mark	-	-	-
911401876085	RC065B G5 41S/840 PSU W60L60 OC CFW	CE mark	-	-	-
911401876185	RC065B G5 41S/840 PSU W60L60 NOC CFW CL	CE mark	-	-	-
911401876285	RC065B G5 41S/840 PSU W60L60 OC CFW CL	CE mark	-	-	-
911401876385	RC065B G5 34S/840 PSU W60L60 NOC CFW CL	CE mark	-	-	-

Ledinaire panel

Order Code	Full Product Name	ENEC		Light source	
		CE mark	mark	replaceable	Service tag
911401876485	RC065B G5 34S/840 PSU W60L60 OC CFW CL	CE mark	-	-	-
911401877085	RC065B G5 34S/840 PSU W60L60 OC 6PK SC	CE mark	-	-	-
911401820585	RC066B LED34S/840 PSU W62L62 OC BN	Yes	ENEC mark	No	-
911401821685	RC066B 34S/830_835_840 PSU W62L62 OC	Yes	-	No	-

Light Technical (1/2)

Order Code	Full Product		Beam angle of light source	Correlated Color Temperature (Nom)	Color rendering index (CRI)
	Name	"All-in" Type			
911401823781	RC065B LED41S/840 PSU W60L60 NOC	-	-	4000 K	≥80
911401850682	RC065B LED34S/840 PSD W60L60 OC	-	-	4000 K	≥80
911401850782	RC065B LED34S/830 PSU W60L60 OC	-	-	3000 K	≥80
911401850882	RC065B LED34S/830 PSU W60L60 NOC	-	-	3000 K	≥80
911401877485	RC065B G5 34_36S/830_40 PSD W60L60 OC SC	"All-in" Multi Color Temperature	90 degree(s)	Selectable	80
911401819985	RC065B 34S/840 PSU W60L60 NOC BN 2 CL	-	-	4000 K	≥80
911401820085	RC065B 34S/840 PSU W60L60 OC BN 2 CL	-	-	4000 K	≥80
911401820685	RC066B LED34S/840 PSD W62L62 OC BN	-	-	4000 K	≥80
911401825785	RC065B LED34S/840 PSU W60L60 OC 6PK	-	-	4000 K	≥80
911401884580	RC065B LED34S/840 PSU W60L60 OC	-	-	4000 K	≥80
911401884680	RC065B LED34S/865 PSU W60L60 OC	-	-	6500 K	≥80

Order Code	Full Product		Beam angle of light source	Correlated Color Temperature (Nom)	Color rendering index (CRI)
	Name	"All-in" Type			
911401885080	RC065B LED34S/840 PSU W60L60 NOC	-	-	4000 K	≥80
911401885180	RC065B LED34S/865 PSU W60L60 NOC	-	-	6500 K	≥80
911401877585	RC065B G5 34_36S/830_40 PSU 30x120 OC SC	"All-in" Multi Color Temperature	90 degree(s)	Selectable	80
911401819585	RC065B LED34S/840 PSU W60L60 OC BN 2	-	-	4000 K	≥80
911401819685	RC065B LED34S/840 PSU W60L60 OC BN6 2	-	-	4000 K	≥80
911401819785	RC065B LED34S/840 PSU W60L60 NOC BN 2	-	-	4000 K	≥80
911401819885	RC065B LED34S/840 PSU W60L60 NOC BN6 2	-	-	4000 K	≥80
911401820185	RC065B LED34S/840 PSU W60L60 OC BN	-	-	4000 K	≥80
911401820285	RC065B LED34S/840 PSU W60L60 OC BN6	-	-	4000 K	≥80
911401820385	RC065B LED34S/840 PSU W60L60 NOC BN	-	-	4000 K	≥80
911401820485	RC065B LED34S/840 PSU	-	-	4000 K	≥80

Ledinaire panel

Order Code	Full Product Name	"All-in" Type	Beam angle of light source	Correlated Color Temperature (Nom)	Color rendering index (CRI)
	W60L60 NOC BN6				
911401820785	RC065B LED34S/840 PSD W60L60 OC BN	-	-	4000 K	≥80
911401821085	RC065B 34S/840 PSU W60L60 OC TPa BN	-	-	4000 K	≥80
911401821885	RC065B LED34S/830_835_840 PSU W60L60 OC	-	-	3000 K	≥80
911401821985	RC065B LED34S/830_835_840 PSD W60L60 OC	-	-	3000 K	≥80
911401876985	RC065B G5 60S/840 PSU 60x120 NOC TPb CFW	-	120 degree(s)	4000 K	80
911401873985	RC065B G5 34S/840 PSU 6060 NOC CFW 6PK2	-	120 degree(s)	4000 K	80
911401821485	RC065B 60S/840 PSU W60L120 NOC TPb BN	-	-	4000 K	≥80
911401877285	RC065B G5 34_36S/830_40 PSU W60L60 OC SC	"All-in" Multi Color Temperature	90 degree(s)	Selectable	80
911401877385	RC065B G5 34_36S/830_40 PSU 60x60 NOC SC	"All-in" Multi Color Temperature	120 degree(s)	Selectable	80
911401873685	RC065B G5 34S/840 PSU W60L60 OC CFW 2	-	90 degree(s)	4000 K	80
911401873885	RC065B G5 34S/840 PSU W60L60 NOC CFW 2	-	120 degree(s)	4000 K	80
911401874085	RC065B G5 34S/840 PSU W60L60 NOC CFW 2CL	-	120 degree(s)	4000 K	80
911401874185	RC065B G5 34S/840 PSU W60L60 OC CFW 2 CL	-	90 degree(s)	4000 K	80

Order Code	Full Product Name	"All-in" Type	Beam angle of light source	Correlated Color Temperature (Nom)	Color rendering index (CRI)
911401875185	RC065B G5 34S/840 PSU W60L60 OC CFW	-	90 degree(s)	4000 K	80
911401875285	RC065B G5 34S/840 PSU W60L60 OC SC	-	90 degree(s)	4000 K	80
911401875385	RC065B G5 34S/865 PSU W60L60 OC CFW	-	90 degree(s)	6500 K	80
911401875485	RC065B G5 34S/840 PSU W60L60 NOC CFW	-	120 degree(s)	4000 K	80
911401875585	RC065B G5 34S/840 PSU W60L60 NOC SC	-	120 degree(s)	4000 K	80
911401875685	RC065B G5 34S/865 PSU W60L60 NOC CFW	-	120 degree(s)	6500 K	80
911401875785	RC065B G5 34S/840 PSD W60L60 OC CFW	-	90 degree(s)	4000 K	80
911401875885	RC065B G5 34S/840 PSD W60L60 OC SC	-	90 degree(s)	4000 K	80
911401875985	RC065B G5 41S/840 PSU W60L60 NOC CFW	-	120 degree(s)	4000 K	80
911401876085	RC065B G5 41S/840 PSU W60L60 OC CFW	-	90 degree(s)	4000 K	80
911401876185	RC065B G5 41S/840 PSU W60L60 NOC CFW CL	-	120 degree(s)	4000 K	80
911401876285	RC065B G5 41S/840 PSU W60L60 OC CFW CL	-	90 degree(s)	4000 K	80
911401876385	RC065B G5 34S/840 PSU W60L60 NOC CFW CL	-	120 degree(s)	4000 K	80
911401876485	RC065B G5 34S/840 PSU W60L60 OC CFW CL	-	90 degree(s)	4000 K	80

Ledinaire panel

Order Code	Full Product Name	"All-in" Type	Beam angle of light source	Correlated Color Temperature (Nom)	Color rendering index (CRI)
911401877085	RC065B G5 34S/840 PSU W60L60 OC 6PK SC	-	90 degree(s)	4000 K	80
911401820585	RC066B LED34S/840 PSU W62L62 OC BN	-	-	4000 K	≥80

Order Code	Full Product Name	"All-in" Type	Beam angle of light source	Correlated Color Temperature (Nom)	Color rendering index (CRI)
911401821685	RC066B 34S/ 830_835_840 PSU W62L62 OC	-	-	3000 K	≥80

Light Technical (2/2)

Order Code	Full Product Name	Luminous Efficacy (rated) (Nom)	Luminous Flux	Optic type	Stroboscopic effect visibility measure (SVM)
911401823781	RC065B LED41S/840 PSU W60L60 NOC	93 lm/W	4,100 lm	Beam angle 120°	0.4
911401850682	RC065B LED34S/840 PSD W60L60 OC	100 lm/W	3,400 lm	Beam angle 90°	0.4
911401850782	RC065B LED34S/830 PSU W60L60 OC	100 lm/W	3,400 lm	Beam angle 90°	0.4
911401850882	RC065B LED34S/830 PSU W60L60 NOC	100 lm/W	3,400 lm	Beam angle 120°	0.4
911401877485	RC065B G5 34_36S/830_40 PSD W60L60 OC SC	120 lm/W	3,400 lm	Beam angle 90°	-
911401819985	RC065B 34S/840 PSU W60L60 NOC BN 2 CL	100 lm/W	3,400 lm	Beam angle 120°	0.4
911401820085	RC065B 34S/840 PSU W60L60 OC BN 2 CL	100 lm/W	3,400 lm	Beam angle 90°	0.4
911401820685	RC066B LED34S/840 PSD W62L62 OC BN	100 lm/W	3,400 lm	Beam angle 90°	0.4
911401825785	RC065B LED34S/840 PSU W60L60 OC 6PK	100 lm/W	3,400 lm	Beam angle 90°	0.4
911401884580	RC065B LED34S/840 PSU W60L60 OC	100 lm/W	3,400 lm	Beam angle 90°	0.4
911401884680	RC065B LED34S/865 PSU W60L60 OC	100 lm/W	3,400 lm	Beam angle 90°	0.4

Order Code	Full Product Name	Luminous Efficacy (rated) (Nom)	Luminous Flux	Optic type	Stroboscopic effect visibility measure (SVM)
911401885080	RC065B LED34S/840 PSU W60L60 NOC	100 lm/W	3,400 lm	Beam angle 120°	0.4
911401885180	RC065B LED34S/865 PSU W60L60 NOC	100 lm/W	3,400 lm	Beam angle 120°	0.4
911401877585	RC065B G5 34_36S/830_40 PSU 30x120 OC SC	120 lm/W	3,400 lm	Beam angle 90°	-
911401819585	RC065B LED34S/840 PSU W60L60 OC BN 2	100 lm/W	3,400 lm	Beam angle 90°	0.4
911401819685	RC065B LED34S/840 PSU W60L60 OC BN6 2	100 lm/W	3,400 lm	Beam angle 90°	0.4
911401819785	RC065B LED34S/840 PSU W60L60 NOC BN 2	100 lm/W	3,400 lm	Beam angle 120°	0.4
911401819885	RC065B LED34S/840 PSU W60L60 NOC BN6 2	100 lm/W	3,400 lm	Beam angle 120°	0.4
911401820185	RC065B LED34S/840 PSU W60L60 OC BN	100 lm/W	3,400 lm	Beam angle 90°	0.4
911401820285	RC065B LED34S/840 PSU W60L60 OC BN6	100 lm/W	3,400 lm	Beam angle 90°	0.4
911401820385	RC065B LED34S/840 PSU W60L60 NOC BN	100 lm/W	3,400 lm	Beam angle 120°	0.4
911401820485	RC065B LED34S/840 PSU W60L60 NOC BN6	100 lm/W	3,400 lm	Beam angle 120°	0.4

Ledinaire panel

Order Code	Full Product Name	Luminous Efficacy (rated) (Nom)	Luminous Flux	Optic type	Stroboscopic effect visibility measure (SVM)
911401820785	RC065B LED34S/840 PSD W60L60 OC BN	100 lm/W	3,400 lm	Beam angle 90°	0.4
911401821085	RC065B 34S/840 PSU W60L60 OC TPa BN	100 lm/W	3,400 lm	Beam angle 90°	0.4
911401821885	RC065B LED34S/ 830_835_840 PSU W60L60 OC	100 lm/W	3,400 lm	Beam angle 90°	0.4
911401821985	RC065B LED34S/ 830_835_840 PSD W60L60 OC	100 lm/W	3,400 lm	Beam angle 90°	0.4
911401876985	RC065B G5 60S/840 PSU 60x120 NOC TPb CFW	120 lm/W	6,000 lm	Beam angle 120°	-
911401873985	RC065B G5 34S/840 PSU 6060 NOC CFW 6PK2	120 lm/W	3,400 lm	Beam angle 120°	-
911401821485	RC065B 60S/840 PSU W60L120 NOC TPb BN	120 lm/W	6,000 lm	Beam angle 120°	0.4
911401877285	RC065B G5 34_36S/830_40 PSU W60L60 OC SC	120 lm/W	3,400 lm	Beam angle 90°	-
911401877385	RC065B G5 34_36S/830_40 PSU 60x60 NOC SC	120 lm/W	3,400 lm	Beam angle 120°	-
911401873685	RC065B G5 34S/840 PSU W60L60 OC CFW 2	120 lm/W	3,400 lm	Beam angle 90°	-
911401873885	RC065B G5 34S/840 PSU W60L60 NOC CFW 2	120 lm/W	3,400 lm	Beam angle 120°	-
911401874085	RC065B G5 34S/840 PSU W60L60 NOC CFW 2CL	120 lm/W	3,400 lm	Beam angle 120°	-
911401874185	RC065B G5 34S/840 PSU W60L60 OC CFW 2 CL	120 lm/W	3,400 lm	Beam angle 90°	-
911401875185	RC065B G5 34S/840 PSU W60L60 OC CFW	120 lm/W	3,400 lm	Beam angle 90°	-
911401875285	RC065B G5 34S/840 PSU W60L60 OC SC	120 lm/W	3,400 lm	Beam angle 90°	-

Order Code	Full Product Name	Luminous Efficacy (rated) (Nom)	Luminous Flux	Optic type	Stroboscopic effect visibility measure (SVM)
911401875385	RC065B G5 34S/865 PSU W60L60 OC CFW	120 lm/W	3,400 lm	Beam angle 90°	-
911401875485	RC065B G5 34S/840 PSU W60L60 NOC CFW	120 lm/W	3,400 lm	Beam angle 120°	-
911401875585	RC065B G5 34S/840 PSU W60L60 NOC SC	120 lm/W	3,400 lm	Beam angle 120°	-
911401875685	RC065B G5 34S/865 PSU W60L60 NOC CFW	120 lm/W	3,400 lm	Beam angle 120°	-
911401875785	RC065B G5 34S/840 PSD W60L60 OC CFW	120 lm/W	3,400 lm	Beam angle 90°	-
911401875885	RC065B G5 34S/840 PSD W60L60 OC SC	120 lm/W	3,400 lm	Beam angle 90°	-
911401875985	RC065B G5 41S/840 PSU W60L60 NOC CFW	120 lm/W	4,100 lm	Beam angle 120°	-
911401876085	RC065B G5 41S/840 PSU W60L60 OC CFW	120 lm/W	4,100 lm	Beam angle 90°	-
911401876185	RC065B G5 41S/840 PSU W60L60 NOC CFW CL	120 lm/W	4,100 lm	Beam angle 120°	-
911401876285	RC065B G5 41S/840 PSU W60L60 OC CFW CL	120 lm/W	4,100 lm	Beam angle 90°	-
911401876385	RC065B G5 34S/840 PSU W60L60 NOC CFW CL	120 lm/W	3,400 lm	Beam angle 120°	-
911401876485	RC065B G5 34S/840 PSU W60L60 OC CFW CL	120 lm/W	3,400 lm	Beam angle 90°	-
911401877085	RC065B G5 34S/840 PSU W60L60 OC 6PK SC	120 lm/W	3,400 lm	Beam angle 90°	-
911401820585	RC066B LED34S/840 PSU W62L62 OC BN	100 lm/W	3,400 lm	Beam angle 90°	0.4

Ledinaire panel

Order Code	Full Product Name	Luminous	Luminous	Optic	Stroboscopic
		Efficacy (rated) (Nom)			Flux
911401821685	RC066B 34S/ 830_835_840 PSU W62L62 OC	100 lm/W	3,400 lm	Beam angle 90°	0.4

Operating and Electrical

Order Code	Full Product Name	Input Voltage	Power
			Consumption
911401823781	RC065B LED41S/840 PSU W60L60 NOC	220-240 V	44 W
911401850682	RC065B LED34S/840 PSD W60L60 OC	220-240 V	34 W
911401850782	RC065B LED34S/830 PSU W60L60 OC	220-240 V	34 W
911401850882	RC065B LED34S/830 PSU W60L60 NOC	220-240 V	34 W
911401877485	RC065B G5 34_36S/830_40 PSD W60L60 OC SC	220 to 240 V	28 W
911401819985	RC065B 34S/840 PSU W60L60 NOC BN 2 CL	220-240 V	34 W
911401820085	RC065B 34S/840 PSU W60L60 OC BN 2 CL	220-240 V	34 W
911401820685	RC066B LED34S/840 PSD W62L62 OC BN	220-240 V	34 W
911401825785	RC065B LED34S/840 PSU W60L60 OC 6PK	220-240 V	34 W
911401884580	RC065B LED34S/840 PSU W60L60 OC	220-240 V	34 W
911401884680	RC065B LED34S/865 PSU W60L60 OC	220-240 V	34 W
911401885080	RC065B LED34S/840 PSU W60L60 NOC	220-240 V	34 W
911401885180	RC065B LED34S/865 PSU W60L60 NOC	220-240 V	34 W
911401877585	RC065B G5 34_36S/830_40 PSU 30x120 OC SC	220 to 240 V	28 W
911401819585	RC065B LED34S/840 PSU W60L60 OC BN 2	220-240 V	34 W
911401819685	RC065B LED34S/840 PSU W60L60 OC BN6 2	220-240 V	34 W
911401819785	RC065B LED34S/840 PSU W60L60 NOC BN 2	220-240 V	34 W
911401819885	RC065B LED34S/840 PSU W60L60 NOC BN6 2	220-240 V	34 W
911401820185	RC065B LED34S/840 PSU W60L60 OC BN	220-240 V	34 W
911401820285	RC065B LED34S/840 PSU W60L60 OC BN6	220-240 V	34 W

Order Code	Full Product Name	Input Voltage	Power
			Consumption
911401820385	RC065B LED34S/840 PSU W60L60 NOC BN	220-240 V	34 W
911401820485	RC065B LED34S/840 PSU W60L60 NOC BN6	220-240 V	34 W
911401820785	RC065B LED34S/840 PSD W60L60 OC BN	220-240 V	34 W
911401821085	RC065B 34S/840 PSU W60L60 OC TPa BN	220-240 V	34 W
911401821885	RC065B LED34S/830_835_840 PSU W60L60 OC	220-240 V	34 W
911401821985	RC065B LED34S/830_835_840 PSD W60L60 OC	220-240 V	34 W
911401876985	RC065B G5 60S/840 PSU 60x120 NOC TPb CFW	220 to 240 V	50 W
911401873985	RC065B G5 34S/840 PSU 6060 NOC CFW 6PK2	220 to 240 V	28 W
911401821485	RC065B 60S/840 PSU W60L120 NOC TPb BN	220-240 V	50 W
911401877285	RC065B G5 34_36S/830_40 PSU W60L60 OC SC	220 to 240 V	28 W
911401877385	RC065B G5 34_36S/830_40 PSU 60x60 NOC SC	220 to 240 V	28 W
911401873685	RC065B G5 34S/840 PSU W60L60 OC CFW 2	220 to 240 V	28 W
911401873885	RC065B G5 34S/840 PSU W60L60 NOC CFW 2	220 to 240 V	28 W
911401874085	RC065B G5 34S/840 PSU W60L60 NOC CFW 2CL	220 to 240 V	28 W
911401874185	RC065B G5 34S/840 PSU W60L60 OC CFW 2 CL	220 to 240 V	28 W
911401875185	RC065B G5 34S/840 PSU W60L60 OC CFW	220 to 240 V	28 W
911401875285	RC065B G5 34S/840 PSU W60L60 OC SC	220 to 240 V	28 W
911401875385	RC065B G5 34S/865 PSU W60L60 OC CFW	220 to 240 V	28 W
911401875485	RC065B G5 34S/840 PSU W60L60 NOC CFW	220 to 240 V	28 W
911401875585	RC065B G5 34S/840 PSU W60L60 NOC SC	220 to 240 V	28 W

Ledinaire panel

Order Code	Full Product Name	Power	
		Input Voltage	Consumption
911401875685	RC065B G5 34S/865 PSU W60L60 NOC CFW	220 to 240 V	28 W
911401875785	RC065B G5 34S/840 PSD W60L60 OC CFW	220 to 240 V	28 W
911401875885	RC065B G5 34S/840 PSD W60L60 OC SC	220 to 240 V	28 W
911401875985	RC065B G5 41S/840 PSU W60L60 NOC CFW	220 to 240 V	34 W
911401876085	RC065B G5 41S/840 PSU W60L60 OC CFW	220 to 240 V	34 W
911401876185	RC065B G5 41S/840 PSU W60L60 NOC CFW CL	220 to 240 V	34 W

Order Code	Full Product Name	Power	
		Input Voltage	Consumption
911401876285	RC065B G5 41S/840 PSU W60L60 OC CFW CL	220 to 240 V	34 W
911401876385	RC065B G5 34S/840 PSU W60L60 NOC CFW CL	220 to 240 V	28 W
911401876485	RC065B G5 34S/840 PSU W60L60 OC CFW CL	220 to 240 V	28 W
911401877085	RC065B G5 34S/840 PSU W60L60 OC 6PK SC	220 to 240 V	28 W
911401820585	RC066B LED34S/840 PSU W62L62 OC BN	220-240 V	34 W
911401821685	RC066B 34S/830_835_840 PSU W62L62 OC	220-240 V	34 W

Temperature

Order Code	Full Product Name	Ambient temperature
		range
911401823781	RC065B LED41S/840 PSU W60L60 NOC	-10 to +25 °C
911401850682	RC065B LED34S/840 PSD W60L60 OC	-10 to +25 °C
911401850782	RC065B LED34S/830 PSU W60L60 OC	-10 to +25 °C
911401850882	RC065B LED34S/830 PSU W60L60 NOC	-10 to +25 °C
911401877485	RC065B G5 34_36S/830_40 PSD W60L60 OC SC	-10 to +35 °C
911401819985	RC065B 34S/840 PSU W60L60 NOC BN 2 CL	-10 to +35 °C
911401820085	RC065B 34S/840 PSU W60L60 OC BN 2 CL	-10 to +35 °C
911401820685	RC066B LED34S/840 PSD W62L62 OC BN	-10 to +35 °C
911401825785	RC065B LED34S/840 PSU W60L60 OC 6PK	-10 to +35 °C
911401884580	RC065B LED34S/840 PSU W60L60 OC	-10 to +25 °C
911401884680	RC065B LED34S/865 PSU W60L60 OC	-10 to +25 °C
911401885080	RC065B LED34S/840 PSU W60L60 NOC	-10 to +25 °C
911401885180	RC065B LED34S/865 PSU W60L60 NOC	-10 to +25 °C
911401877585	RC065B G5 34_36S/830_40 PSU 30x120 OC SC	-10 to +35 °C
911401819585	RC065B LED34S/840 PSU W60L60 OC BN 2	-10 to +35 °C
911401819685	RC065B LED34S/840 PSU W60L60 OC BN6 2	-10 to +35 °C
911401819785	RC065B LED34S/840 PSU W60L60 NOC BN 2	-10 to +35 °C
911401819885	RC065B LED34S/840 PSU W60L60 NOC BN6 2	-10 to +35 °C
911401820185	RC065B LED34S/840 PSU W60L60 OC BN	-10 to +35 °C
911401820285	RC065B LED34S/840 PSU W60L60 OC BN6	-10 to +35 °C
911401820385	RC065B LED34S/840 PSU W60L60 NOC BN	-10 to +35 °C
911401820485	RC065B LED34S/840 PSU W60L60 NOC BN6	-10 to +35 °C

Order Code	Full Product Name	Ambient temperature
		range
911401820785	RC065B LED34S/840 PSD W60L60 OC BN	-10 to +35 °C
911401821085	RC065B 34S/840 PSU W60L60 OC TPa BN	-10 to +35 °C
911401821885	RC065B LED34S/830_835_840 PSU W60L60 OC	-10 to +35 °C
911401821985	RC065B LED34S/830_835_840 PSD W60L60 OC	-10 to +35 °C
911401876985	RC065B G5 60S/840 PSU 60x120 NOC TPb CFW	-10 to +35 °C
911401873985	RC065B G5 34S/840 PSU 6060 NOC CFW 6PK2	-10 to +35 °C
911401821485	RC065B 60S/840 PSU W60L120 NOC TPb BN	-10 to +35 °C
911401877285	RC065B G5 34_36S/830_40 PSU W60L60 OC SC	-10 to +35 °C
911401877385	RC065B G5 34_36S/830_40 PSU 60x60 NOC SC	-10 to +35 °C
911401873685	RC065B G5 34S/840 PSU W60L60 OC CFW 2	-10 to +35 °C
911401873885	RC065B G5 34S/840 PSU W60L60 NOC CFW 2	-10 to +35 °C
911401874085	RC065B G5 34S/840 PSU W60L60 NOC CFW 2CL	-10 to +35 °C
911401874185	RC065B G5 34S/840 PSU W60L60 OC CFW 2 CL	-10 to +35 °C
911401875185	RC065B G5 34S/840 PSU W60L60 OC CFW	-10 to +35 °C
911401875285	RC065B G5 34S/840 PSU W60L60 OC SC	-10 to +35 °C
911401875385	RC065B G5 34S/865 PSU W60L60 OC CFW	-10 to +35 °C
911401875485	RC065B G5 34S/840 PSU W60L60 NOC CFW	-10 to +35 °C
911401875585	RC065B G5 34S/840 PSU W60L60 NOC SC	-10 to +35 °C

Ledinaire panel

Order Code	Full Product Name	Ambient temperature range
911401875685	RC065B G5 34S/865 PSU W60L60 NOC CFW	-10 to +35 °C
911401875785	RC065B G5 34S/840 PSD W60L60 OC CFW	-10 to +35 °C
911401875885	RC065B G5 34S/840 PSD W60L60 OC SC	-10 to +35 °C
911401875985	RC065B G5 41S/840 PSU W60L60 NOC CFW	-10 to +35 °C
911401876085	RC065B G5 41S/840 PSU W60L60 OC CFW	-10 to +35 °C
911401876185	RC065B G5 41S/840 PSU W60L60 NOC CFW CL	-10 to +35 °C

Order Code	Full Product Name	Ambient temperature range
911401876285	RC065B G5 41S/840 PSU W60L60 OC CFW CL	-10 to +35 °C
911401876385	RC065B G5 34S/840 PSU W60L60 NOC CFW CL	-10 to +35 °C
911401876485	RC065B G5 34S/840 PSU W60L60 OC CFW CL	-10 to +35 °C
911401877085	RC065B G5 34S/840 PSU W60L60 OC 6PK SC	-10 to +35 °C
911401820585	RC066B LED34S/840 PSU W62L62 OC BN	-10 to +35 °C
911401821685	RC066B 34S/830_835_840 PSU W62L62 OC	-10 to +35 °C

Controls and Dimming

Order Code	Full Product Name	Dimmable
911401823781	RC065B LED41S/840 PSU W60L60 NOC	No
911401850682	RC065B LED34S/840 PSD W60L60 OC	Yes
911401850782	RC065B LED34S/830 PSU W60L60 OC	No
911401850882	RC065B LED34S/830 PSU W60L60 NOC	No
911401877485	RC065B G5 34_36S/830_40 PSD W60L60 OC SC	Yes
911401819985	RC065B 34S/840 PSU W60L60 NOC BN 2 CL	No
911401820085	RC065B 34S/840 PSU W60L60 OC BN 2 CL	No
911401820685	RC066B LED34S/840 PSD W62L62 OC BN	Yes
911401825785	RC065B LED34S/840 PSU W60L60 OC 6PK	No
911401884580	RC065B LED34S/840 PSU W60L60 OC	No
911401884680	RC065B LED34S/865 PSU W60L60 OC	No
911401885080	RC065B LED34S/840 PSU W60L60 NOC	No
911401885180	RC065B LED34S/865 PSU W60L60 NOC	No
911401877585	RC065B G5 34_36S/830_40 PSU 30x120 OC SC	No
911401819585	RC065B LED34S/840 PSU W60L60 OC BN 2	No
911401819685	RC065B LED34S/840 PSU W60L60 OC BN6 2	No
911401819785	RC065B LED34S/840 PSU W60L60 NOC BN 2	No
911401819885	RC065B LED34S/840 PSU W60L60 NOC BN6 2	No
911401820185	RC065B LED34S/840 PSU W60L60 OC BN	No
911401820285	RC065B LED34S/840 PSU W60L60 OC BN6	No
911401820385	RC065B LED34S/840 PSU W60L60 NOC BN	No
911401820485	RC065B LED34S/840 PSU W60L60 NOC BN6	No
911401820785	RC065B LED34S/840 PSD W60L60 OC BN	Yes
911401821085	RC065B 34S/840 PSU W60L60 OC TPa BN	No
911401821885	RC065B LED34S/830_835_840 PSU W60L60 OC	No
911401821985	RC065B LED34S/830_835_840 PSD W60L60 OC	Yes

Order Code	Full Product Name	Dimmable
911401876985	RC065B G5 60S/840 PSU 60x120 NOC TPb CFW	No
911401873985	RC065B G5 34S/840 PSU 6060 NOC CFW 6PK2	No
911401821485	RC065B 60S/840 PSU W60L120 NOC TPb BN	No
911401877285	RC065B G5 34_36S/830_40 PSU W60L60 OC SC	No
911401877385	RC065B G5 34_36S/830_40 PSU 60x60 NOC SC	No
911401873685	RC065B G5 34S/840 PSU W60L60 OC CFW 2	No
911401873885	RC065B G5 34S/840 PSU W60L60 NOC CFW 2	No
911401874085	RC065B G5 34S/840 PSU W60L60 NOC CFW 2CL	No
911401874185	RC065B G5 34S/840 PSU W60L60 OC CFW 2 CL	No
911401875185	RC065B G5 34S/840 PSU W60L60 OC CFW	No
911401875285	RC065B G5 34S/840 PSU W60L60 OC SC	No
911401875385	RC065B G5 34S/865 PSU W60L60 OC CFW	No
911401875485	RC065B G5 34S/840 PSU W60L60 NOC CFW	No
911401875585	RC065B G5 34S/840 PSU W60L60 NOC SC	No
911401875685	RC065B G5 34S/865 PSU W60L60 NOC CFW	No
911401875785	RC065B G5 34S/840 PSD W60L60 OC CFW	Yes
911401875885	RC065B G5 34S/840 PSD W60L60 OC SC	Yes
911401875985	RC065B G5 41S/840 PSU W60L60 NOC CFW	No
911401876085	RC065B G5 41S/840 PSU W60L60 OC CFW	No
911401876185	RC065B G5 41S/840 PSU W60L60 NOC CFW CL	No
911401876285	RC065B G5 41S/840 PSU W60L60 OC CFW CL	No
911401876385	RC065B G5 34S/840 PSU W60L60 NOC CFW CL	No
911401876485	RC065B G5 34S/840 PSU W60L60 OC CFW CL	No
911401877085	RC065B G5 34S/840 PSU W60L60 OC 6PK SC	No
911401820585	RC066B LED34S/840 PSU W62L62 OC BN	No
911401821685	RC066B 34S/830_835_840 PSU W62L62 OC	No

Approval and Application

Order Code	Full Product Name	Ingress protection code
911401823781	RC065B LED41S/840 PSU W60L60 NOC	IP20
911401850682	RC065B LED34S/840 PSD W60L60 OC	IP20
911401850782	RC065B LED34S/830 PSU W60L60 OC	IP20
911401850882	RC065B LED34S/830 PSU W60L60 NOC	IP20

Order Code	Full Product Name	Ingress protection code
911401877485	RC065B G5 34_36S/830_40 PSD W60L60 OC SC	IP20/40
911401819985	RC065B 34S/840 PSU W60L60 NOC BN 2 CL	IP20
911401820085	RC065B 34S/840 PSU W60L60 OC BN 2 CL	IP20
911401820685	RC066B LED34S/840 PSD W62L62 OC BN	IP20

Ledinaire panel

Order Code	Full Product Name	Ingress protection code
911401825785	RC065B LED34S/840 PSU W60L60 OC 6PK	IP20
911401884580	RC065B LED34S/840 PSU W60L60 OC	IP20
911401884680	RC065B LED34S/865 PSU W60L60 OC	IP20
911401885080	RC065B LED34S/840 PSU W60L60 NOC	IP20
911401885180	RC065B LED34S/865 PSU W60L60 NOC	IP20
911401877585	RC065B G5 34_36S/830_40 PSU 30x120 OC SC	IP20/40
911401819585	RC065B LED34S/840 PSU W60L60 OC BN 2	IP20
911401819685	RC065B LED34S/840 PSU W60L60 OC BN6 2	IP20
911401819785	RC065B LED34S/840 PSU W60L60 NOC BN 2	IP20
911401819885	RC065B LED34S/840 PSU W60L60 NOC BN6 2	IP20
911401820185	RC065B LED34S/840 PSU W60L60 OC BN	IP20
911401820285	RC065B LED34S/840 PSU W60L60 OC BN6	IP20
911401820385	RC065B LED34S/840 PSU W60L60 NOC BN	IP20
911401820485	RC065B LED34S/840 PSU W60L60 NOC BN6	IP20
911401820785	RC065B LED34S/840 PSD W60L60 OC BN	IP20
911401821085	RC065B 34S/840 PSU W60L60 OC TPa BN	IP20
911401821885	RC065B LED34S/830_835_840 PSU W60L60 OC	IP20
911401821985	RC065B LED34S/830_835_840 PSD W60L60 OC	IP20
911401876985	RC065B G5 60S/840 PSU 60x120 NOC TPb CFW	IP20/40
911401873985	RC065B G5 34S/840 PSU 6060 NOC CFW 6PK2	IP20/40
911401821485	RC065B 60S/840 PSU W60L120 NOC TPb BN	IP20
911401877285	RC065B G5 34_36S/830_40 PSU W60L60 OC SC	IP20/40

Order Code	Full Product Name	Ingress protection code
911401877385	RC065B G5 34_36S/830_40 PSU 60x60 NOC SC	IP20/40
911401873685	RC065B G5 34S/840 PSU W60L60 OC CFW 2	IP20/40
911401873885	RC065B G5 34S/840 PSU W60L60 NOC CFW 2	IP20/40
911401874085	RC065B G5 34S/840 PSU W60L60 NOC CFW 2CL	IP20/40
911401874185	RC065B G5 34S/840 PSU W60L60 OC CFW 2 CL	IP20/40
911401875185	RC065B G5 34S/840 PSU W60L60 OC CFW	IP20/40
911401875285	RC065B G5 34S/840 PSU W60L60 OC SC	IP20/40
911401875385	RC065B G5 34S/865 PSU W60L60 OC CFW	IP20/40
911401875485	RC065B G5 34S/840 PSU W60L60 NOC CFW	IP20/40
911401875585	RC065B G5 34S/840 PSU W60L60 NOC SC	IP20/40
911401875685	RC065B G5 34S/865 PSU W60L60 NOC CFW	IP20/40
911401875785	RC065B G5 34S/840 PSD W60L60 OC CFW	IP20/40
911401875885	RC065B G5 34S/840 PSD W60L60 OC SC	IP20/40
911401875985	RC065B G5 41S/840 PSU W60L60 NOC CFW	IP20/40
911401876085	RC065B G5 41S/840 PSU W60L60 OC CFW	IP20/40
911401876185	RC065B G5 41S/840 PSU W60L60 NOC CFW CL	IP20/40
911401876285	RC065B G5 41S/840 PSU W60L60 OC CFW CL	IP20/40
911401876385	RC065B G5 34S/840 PSU W60L60 NOC CFW CL	IP20/40
911401876485	RC065B G5 34S/840 PSU W60L60 OC CFW CL	IP20/40
911401877085	RC065B G5 34S/840 PSU W60L60 OC 6PK SC	IP20/40
911401820585	RC066B LED34S/840 PSU W62L62 OC BN	IP20
911401821685	RC066B 34S/830_835_840 PSU W62L62 OC	IP20

Initial Performance (IEC Compliant)

Order Code	Full Product Name	Initial chromaticity	Luminous flux tolerance
911401823781	RC065B LED41S/840 PSU W60L60 NOC	(0.38, 0.38) SDCM \leq 5	+/-10%
911401850682	RC065B LED34S/840 PSD W60L60 OC	(0.38, 0.38) SDCM \leq 5	+/-10%
911401850782	RC065B LED34S/830 PSU W60L60 OC	(0.43, 0.40) SDCM \leq 5	+/-10%
911401850882	RC065B LED34S/830 PSU W60L60 NOC	(0.43, 0.40) SDCM \leq 5	+/-10%
911401877485	RC065B G5 34_36S/830_40 PSD W60L60 OC SC	(0.43, 0.40) SDCM \leq 5(0.38, 0.38) SDCM \leq 5	-10% / +10%
911401819985	RC065B 34S/840 PSU W60L60 NOC BN 2 CL	(0.38, 0.38) SDCM \leq 5	+/-10%
911401820085	RC065B 34S/840 PSU W60L60 OC BN 2 CL	(0.38, 0.38) SDCM \leq 5	+/-10%
911401820685	RC066B LED34S/840 PSD W62L62 OC BN	(0.38, 0.38) SDCM \leq 5	+/-10%
911401825785	RC065B LED34S/840 PSU W60L60 OC 6PK	(0.38, 0.38) SDCM \leq 5	+/-10%
911401884580	RC065B LED34S/840 PSU W60L60 OC	(0.38, 0.38) SDCM \leq 5	+/-10%
911401884680	RC065B LED34S/865 PSU W60L60 OC	(0.31, 0.33) SDCM \leq 5	+/-10%

Order Code	Full Product Name	Initial chromaticity	Luminous flux tolerance
911401885080	RC065B LED34S/840 PSU W60L60 NOC	(0.38, 0.38) SDCM \leq 5	+/-10%
911401885180	RC065B LED34S/865 PSU W60L60 NOC	(0.31, 0.33) SDCM \leq 5	+/-10%
911401877585	RC065B G5 34_36S/830_40 PSU 30x120 OC SC	(0.43, 0.40) SDCM \leq 5(0.38, 0.38) SDCM \leq 5	-10% / +10%
911401819585	RC065B LED34S/840 PSU W60L60 OC BN 2	(0.38, 0.38) SDCM \leq 5	+/-10%
911401819685	RC065B LED34S/840 PSU W60L60 OC BN6 2	(0.38, 0.38) SDCM \leq 5	+/-10%
911401819785	RC065B LED34S/840 PSU W60L60 NOC BN 2	(0.38, 0.38) SDCM \leq 5	+/-10%
911401819885	RC065B LED34S/840 PSU W60L60 NOC BN6 2	(0.38, 0.38) SDCM \leq 5	+/-10%
911401820185	RC065B LED34S/840 PSU W60L60 OC BN	(0.38, 0.38) SDCM \leq 5	+/-10%
911401820285	RC065B LED34S/840 PSU W60L60 OC BN6	(0.38, 0.38) SDCM \leq 5	+/-10%
911401820385	RC065B LED34S/840 PSU W60L60 NOC BN	(0.38, 0.38) SDCM \leq 5	+/-10%
911401820485	RC065B LED34S/840 PSU W60L60 NOC BN6	(0.38, 0.38) SDCM \leq 5	+/-10%

Ledinaire panel

Order Code	Full Product Name	Initial chromaticity	Luminous flux tolerance
911401820785	RC065B LED34S/840 PSD W60L60 OC BN	(0.38, 0.38) SDCM ≤5	+/-10%
911401821085	RC065B 34S/840 PSU W60L60 OC TPα BN	(0.38, 0.38) SDCM ≤5	+/-10%
911401821885	RC065B LED34S/830_835_840 PSU W60L60 OC	(0.38, 0.38) SDCM ≤5	+/-10%
911401821985	RC065B LED34S/830_835_840 PSD W60L60 OC	(0.38, 0.38) SDCM ≤5	+/-10%
911401876985	RC065B G5 60S/840 PSU 60x120 NOC TPβ CFW	(0.38, 0.38) SDCM ≤5	-10% / +10%
911401873985	RC065B G5 34S/840 PSU 6060 NOC CFW 6PK2	(0.38, 0.38) SDCM ≤5	-10% / +10%
911401821485	RC065B 60S/840 PSU W60L120 NOC TPβ BN	(0.38, 0.38) SDCM ≤5	+/-10%
911401877285	RC065B G5 34_36S/830_40 PSU W60L60 OC SC	(0.43, 0.40) SDCM ≤5(0.38, 0.38) SDCM ≤5	-10% / +10%
911401877385	RC065B G5 34_36S/830_40 PSU 60x60 NOC SC	(0.43, 0.40) SDCM ≤5(0.38, 0.38) SDCM ≤5	-10% / +10%
911401873685	RC065B G5 34S/840 PSU W60L60 OC CFW 2	(0.38, 0.38) SDCM ≤5	-10% / +10%
911401873885	RC065B G5 34S/840 PSU W60L60 NOC CFW 2	(0.38, 0.38) SDCM ≤5	-10% / +10%
911401874085	RC065B G5 34S/840 PSU W60L60 NOC CFW 2CL	(0.38, 0.38) SDCM ≤5	-10% / +10%
911401874185	RC065B G5 34S/840 PSU W60L60 OC CFW 2 CL	(0.38, 0.38) SDCM ≤5	-10% / +10%
911401875185	RC065B G5 34S/840 PSU W60L60 OC CFW	(0.38, 0.38) SDCM ≤5	-10% / +10%
911401875285	RC065B G5 34S/840 PSU W60L60 OC SC	(0.38, 0.38) SDCM ≤5	-10% / +10%

Order Code	Full Product Name	Initial chromaticity	Luminous flux tolerance
911401875385	RC065B G5 34S/865 PSU W60L60 OC CFW	(0.31, 0.33) SDCM ≤5	-10% / +10%
911401875485	RC065B G5 34S/840 PSU W60L60 NOC CFW	(0.38, 0.38) SDCM ≤5	-10% / +10%
911401875585	RC065B G5 34S/840 PSU W60L60 NOC SC	(0.38, 0.38) SDCM ≤5	-10% / +10%
911401875685	RC065B G5 34S/865 PSU W60L60 NOC CFW	(0.31, 0.33) SDCM ≤5	-10% / +10%
911401875785	RC065B G5 34S/840 PSD W60L60 OC CFW	(0.38, 0.38) SDCM ≤5	-10% / +10%
911401875885	RC065B G5 34S/840 PSD W60L60 OC SC	(0.38, 0.38) SDCM ≤5	-10% / +10%
911401875985	RC065B G5 41S/840 PSU W60L60 NOC CFW	(0.38, 0.38) SDCM ≤5	-10% / +10%
911401876085	RC065B G5 41S/840 PSU W60L60 OC CFW	(0.38, 0.38) SDCM ≤5	-10% / +10%
911401876185	RC065B G5 41S/840 PSU W60L60 NOC CFW CL	(0.38, 0.38) SDCM ≤5	-10% / +10%
911401876285	RC065B G5 41S/840 PSU W60L60 OC CFW CL	(0.38, 0.38) SDCM ≤5	-10% / +10%
911401876385	RC065B G5 34S/840 PSU W60L60 NOC CFW CL	(0.38, 0.38) SDCM ≤5	-10% / +10%
911401876485	RC065B G5 34S/840 PSU W60L60 OC CFW CL	(0.38, 0.38) SDCM ≤5	-10% / +10%
911401877085	RC065B G5 34S/840 PSU W60L60 OC 6PK SC	(0.38, 0.38) SDCM ≤5	-10% / +10%
911401820585	RC066B LED34S/840 PSU W62L62 OC BN	(0.38, 0.38) SDCM ≤5	+/-10%
911401821685	RC066B 34S/830_835_840 PSU W62L62 OC	(0.38, 0.38) SDCM ≤5	+/-10%

Application Conditions

Order Code	Full Product Name	Maximum dim level	Suitable for random switching
911401823781	RC065B LED41S/840 PSU W60L60 NOC	-	Yes
911401850682	RC065B LED34S/840 PSD W60L60 OC	10%	Yes
911401850782	RC065B LED34S/830 PSU W60L60 OC	-	Yes
911401850882	RC065B LED34S/830 PSU W60L60 NOC	-	Yes
911401877485	RC065B G5 34_36S/830_40 PSD W60L60 OC SC	1%	Not applicable
911401819985	RC065B 34S/840 PSU W60L60 NOC BN 2 CL	-	Yes

Order Code	Full Product Name	Maximum dim level	Suitable for random switching
911401820085	RC065B 34S/840 PSU W60L60 OC BN 2 CL	-	Yes
911401820685	RC066B LED34S/840 PSD W62L62 OC BN	3%	Yes
911401825785	RC065B LED34S/840 PSU W60L60 OC 6PK	-	Yes
911401884580	RC065B LED34S/840 PSU W60L60 OC	-	Not applicable
911401884680	RC065B LED34S/865 PSU W60L60 OC	-	Not applicable
911401885080	RC065B LED34S/840 PSU W60L60 NOC	-	Yes

Ledinaire panel

Order Code	Full Product Name	Maximum dim level	Suitable for random switching
911401885180	RC065B LED34S/865 PSU W60L60 NOC	-	Yes
911401877585	RC065B G5 34_36S/830_40 PSU 30x120 OC SC	Not applicable	Not applicable
911401819585	RC065B LED34S/840 PSU W60L60 OC BN 2	-	Yes
911401819685	RC065B LED34S/840 PSU W60L60 OC BN6 2	-	Yes
911401819785	RC065B LED34S/840 PSU W60L60 NOC BN 2	-	Yes
911401819885	RC065B LED34S/840 PSU W60L60 NOC BN6 2	-	Yes
911401820185	RC065B LED34S/840 PSU W60L60 OC BN	-	Yes
911401820285	RC065B LED34S/840 PSU W60L60 OC BN6	-	Yes
911401820385	RC065B LED34S/840 PSU W60L60 NOC BN	-	Yes
911401820485	RC065B LED34S/840 PSU W60L60 NOC BN6	-	Yes
911401820785	RC065B LED34S/840 PSD W60L60 OC BN	3%	Yes
911401821085	RC065B 34S/840 PSU W60L60 OC TPa BN	-	Yes
911401821885	RC065B LED34S/830_835_840 PSU W60L60 OC	-	Yes
911401821985	RC065B LED34S/830_835_840 PSD W60L60 OC	3%	Yes
911401876985	RC065B G5 60S/840 PSU 60x120 NOC TPb CFW	Not applicable	Not applicable
911401873985	RC065B G5 34S/840 PSU 6060 NOC CFW 6PK2	Not applicable	Not applicable
911401821485	RC065B 60S/840 PSU W60L120 NOC TPb BN	-	Yes
911401877285	RC065B G5 34_36S/830_40 PSU W60L60 OC SC	Not applicable	Not applicable
911401877385	RC065B G5 34_36S/830_40 PSU 60x60 NOC SC	Not applicable	Not applicable
911401873685	RC065B G5 34S/840 PSU W60L60 OC CFW 2	Not applicable	Not applicable

Order Code	Full Product Name	Maximum dim level	Suitable for random switching
911401873885	RC065B G5 34S/840 PSU W60L60 NOC CFW 2	Not applicable	Not applicable
911401874085	RC065B G5 34S/840 PSU W60L60 NOC CFW 2CL	Not applicable	Not applicable
911401874185	RC065B G5 34S/840 PSU W60L60 OC CFW 2 CL	Not applicable	Not applicable
911401875185	RC065B G5 34S/840 PSU W60L60 OC CFW	Not applicable	Not applicable
911401875285	RC065B G5 34S/840 PSU W60L60 OC SC	Not applicable	Not applicable
911401875385	RC065B G5 34S/865 PSU W60L60 OC CFW	Not applicable	Not applicable
911401875485	RC065B G5 34S/840 PSU W60L60 NOC CFW	Not applicable	Not applicable
911401875585	RC065B G5 34S/840 PSU W60L60 NOC SC	Not applicable	Not applicable
911401875685	RC065B G5 34S/865 PSU W60L60 NOC CFW	Not applicable	Not applicable
911401875785	RC065B G5 34S/840 PSD W60L60 OC CFW	1%	Not applicable
911401875885	RC065B G5 34S/840 PSD W60L60 OC SC	1%	Not applicable
911401875985	RC065B G5 41S/840 PSU W60L60 NOC CFW	Not applicable	Not applicable
911401876085	RC065B G5 41S/840 PSU W60L60 OC CFW	Not applicable	Not applicable
911401876185	RC065B G5 41S/840 PSU W60L60 NOC CFW CL	Not applicable	Not applicable
911401876285	RC065B G5 41S/840 PSU W60L60 OC CFW CL	Not applicable	Not applicable
911401876385	RC065B G5 34S/840 PSU W60L60 NOC CFW CL	Not applicable	Not applicable
911401876485	RC065B G5 34S/840 PSU W60L60 OC CFW CL	Not applicable	Not applicable
911401877085	RC065B G5 34S/840 PSU W60L60 OC 6PK SC	Not applicable	Not applicable
911401820585	RC066B LED34S/840 PSU W62L62 OC BN	-	Yes
911401821685	RC066B 34S/830_835_840 PSU W62L62 OC	-	Yes

Ledinaire panel

