



Classic look & feel

Classic frosted LED Lamps

Featuring a classic heritage design, LED frosted Classic bulbs deliver beautiful, decorative warm-white light while saving around 90% on energy costs. The familiar shapes of the LED frosted Classic lamps are a perfect fit for your existing fixtures.

Benefits

- Around 90% energy saving
- Very long lifetime that reduces the need for replacement
- Easy replacement of classic conventional lamps

Features

- Pure and elegant heritage design with classic shape
- Perfect fit and high quality finishing
- High color rendering (CRI> 80) for vivid colors
- Environmentally friendly: contains no mercury or other hazardous substances
- Instant full light on: Philips LED light bulbs provide their full level of brightness immediately upon switching on

Application

- Domestic applications
- Hospitality: restaurants and hotels

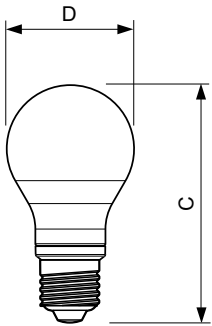
Classic frosted LED Lamps

Versions



E27 A60 Frosted

Dimensional drawing



Product	D	C
LED classic 40W A60 E27 WW FR ND 1CT/10	60 mm	110 mm
LED classic 60W A60 E27 WW FR ND 1CT/10	60 mm	110 mm
LED classic 40W A60 E27 WW FR ND 2BC/10	60 mm	110 mm
LEDClassic 60W A60 E27 WW ND 2BC/10	60 mm	110 mm

Controls and Dimming

Dimmable	No
----------	----

Operating and Electrical

Voltage (Nom)	220-240 V
Starting Time (Nom)	0.5 s

General Information

Cap-Base	E27
Nominal Lifetime (Nom)	15000 h
Switching Cycle	30000X

Light Technical

Color Code	827
Correlated Color Temperature (Nom)	2700 K
Color Rendering Index (Nom)	80
Llmf At End Of Nominal Lifetime (Nom)	70 %

Mechanical and Housing

Bulb Finish	Frosted
Bulb Shape	A60

Approval and Application

Order Code	Full Product Name	Energy Consumption kWh/1000 h	Energy Efficiency Label (EEL)
929001242901	LED classic 40W A60 E27 WW FR ND 2BC/10	5 kWh	A+
929001242982	LED classic 40W A60 E27 WW FR ND 1CT/10	5 kWh	A++
929001243031	LEDClassic 60W A60 E27 WW ND 2BC/10	7 kWh	A++
929001243082	LED classic 60W A60 E27 WW FR ND 1CT/10	7 kWh	A++

Operating and Electrical

Classic frosted LED Lamps

Order Code	Full Product Name	Input Frequency	Wattage Equivalent	Power (Rated) (Nom)
929001242901	LED classic 40W A60 E27 WW FR ND 2BC/10	50 to 60 Hz	40 W	5 W
929001242982	LED classic 40W A60 E27 WW FR ND 1CT/10	50 Hz	-	4.5 W

Order Code	Full Product Name	Input Frequency	Wattage Equivalent	Power (Rated) (Nom)
929001243031	LEDClassic 60W A60 E27 WW ND 2BC/10	50 to 60 Hz	60 W	7 W
929001243082	LED classic 60W A60 E27 WW FR ND 1CT/10	50 Hz	-	7 W

Light Technical

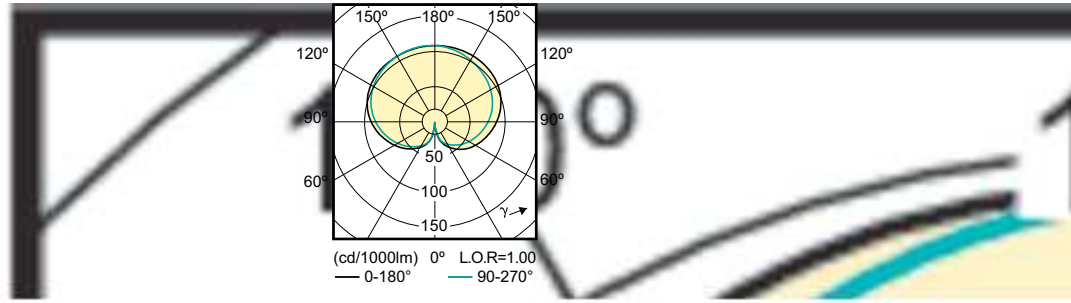
Order Code	Full Product Name	Beam Angle (Nom)	Luminous Flux (Nom)
929001242901	LED classic 40W A60 E27 WW FR ND 2BC/10	300 °	470 lm
929001242982	LED classic 40W A60 E27 WW FR ND 1CT/10	-	470 lm

Order Code	Full Product Name	Beam Angle (Nom)	Luminous Flux (Nom)
929001243031	LEDClassic 60W A60 E27 WW ND 2BC/10	300 °	806 lm
929001243082	LED classic 60W A60 E27 WW FR ND 1CT/10	-	806 lm

Temperature

Order Code	Full Product Name	T-Case Maximum (Nom)
929001242901	LED classic 40W A60 E27 WW FR ND 2BC/10	98 °C
929001242982	LED classic 40W A60 E27 WW FR ND 1CT/10	50 °C
929001243031	LEDClassic 60W A60 E27 WW ND 2BC/10	90 °C
929001243082	LED classic 60W A60 E27 WW FR ND 1CT/10	50 °C

Classic frosted LED Lamps



Classic frosted LED Lamps

