

Simple, robust magnetic ballast

HID-Basic Semi-Parallel Economic ballasts for SON/CDM/MH lamps

The HID Basic Semi-Parallel ballast is an impregnated (HID standard) electromagnetic copper/iron ballast for use with an external ignitor for HID lamps.

Benefits

- Limited volume of ballast coil; also lightweight
- Simple installation and cabling

Features

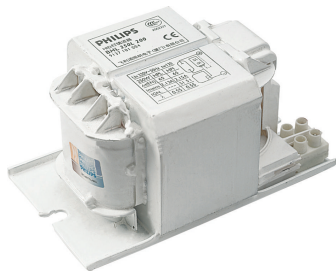
- Orthocyclic winding process
- Ballasts equipped with screw terminal blocks as standard
- Earthing-while-mounting facility (HID Standard ballasts)
- Low watt losses

Application

- For use with SON and HPI (PLUS) lamps in road, public, area and industry lighting
- For use with MHN/CDM lamps in shop, lobby and city beautification applications
- HID-Basic ballasts should be restricted to built-in situations where relative humidity is limited.

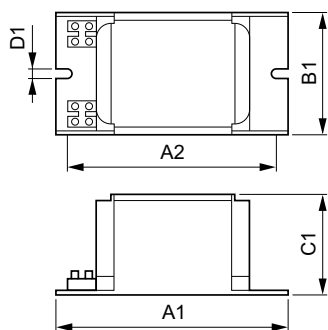
HID-Basic Semi-Parallel Economic ballasts for SON/CDM/MH lamps

Versions



BSNE 70L 300I TS

Dimensional drawing



Product	D1	C1	A1	A2	B1
BSNE 70L 300I TS	6.3 mm	82 mm	165.0 mm	144 mm	96.0 mm

