



The new generation of energy-saving tube lighting

Other LEDtube

Philips LEDtube integrates a LED light source into a traditional fluorescent form factor. This product is the ideal solution for uplampping in general lighting applications: it meets basic lighting requirements, offers significant energy savings, and is environmentally friendly.

Benefits

- Reduced operational cost thanks to lower energy consumption
- Lower maintenance cost thanks to 2-3 times longer lifetime than conventional lamps
- Fastest and easiest way to upgrade existing luminaires to LED technology; completely safe product and installation process

Features

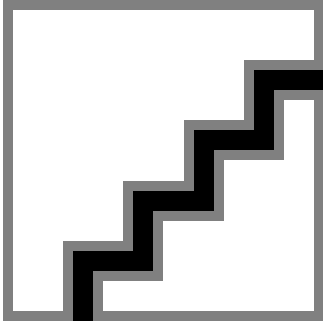
- Highly energy-efficient
- Easy installation
- Conventional form factor to fit into existing luminaires
- No mercury

Application

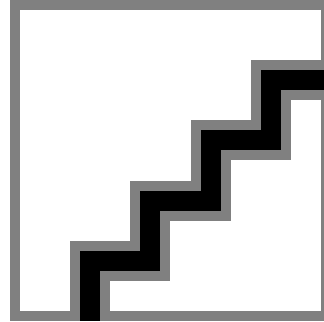
- Hospitality, retail, office, industrial and home applications

Other LEDtube

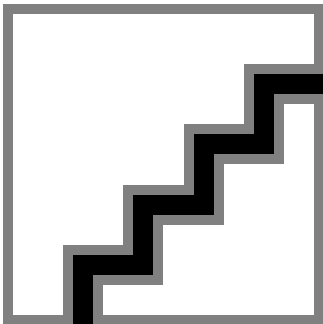
Versions



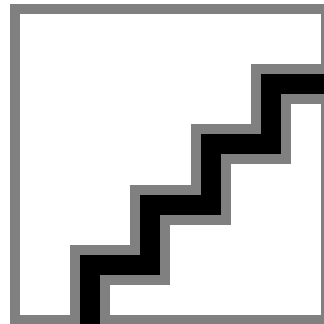
S19



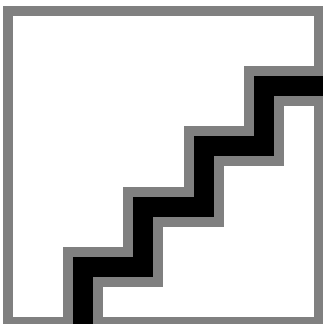
S19 Others Frosted



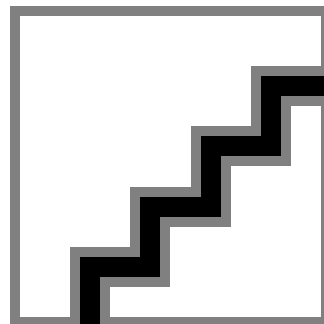
S14d Others Frosted



S14d Others Frosted



S14s Others Frosted



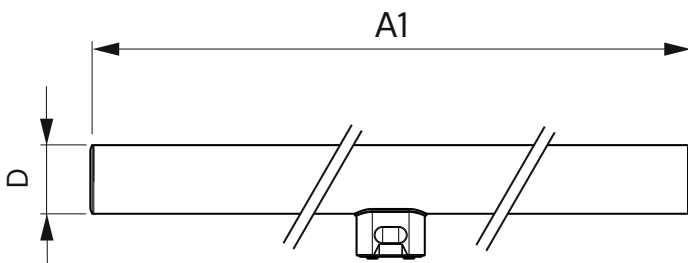
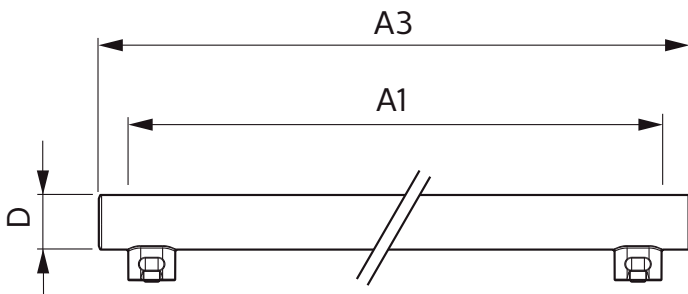
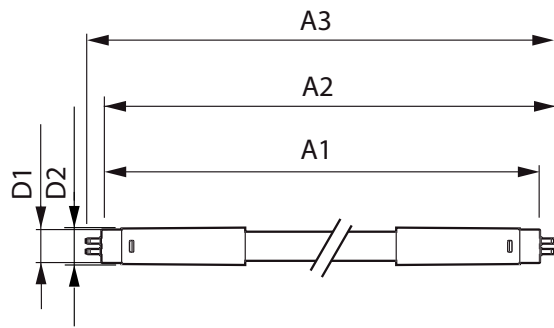
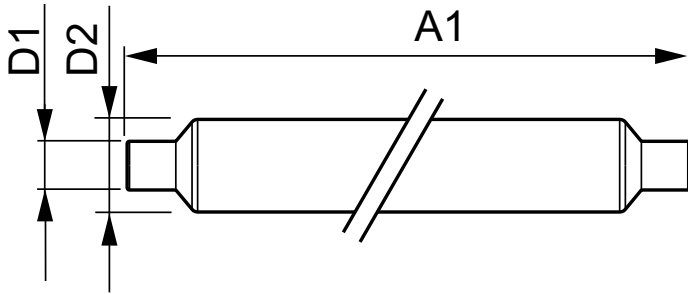
S14s Others Frosted



Medium Bi-Pin Fluorescent Tube,
single-ended Frosted

Other LEDtube

Dimensional drawing



Product	C	D
LED 6.5W 310mm S19 WW ND 1CT/4	310 mm	38 mm
LED 4.5W 310mm S19 WW ND 1CT/4	38 mm	38 mm 273.6 mm 310 mm

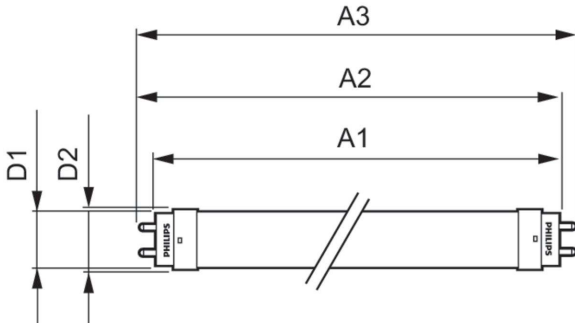
Product	D1	D2	A1	A2	A3
MAS Ledtube 600mm HO 8.3W 840 T5 DC	15.8 mm	19 mm	549 mm	556.1 mm	563.2 mm
MAS Ledtube 1200mm HO 16W 840 T5 DC	15.8 mm	19 mm	1149 mm	1156.1 mm	1163.2 mm
MAS Ledtube 600mm HO 8.3W 865 T5 DC	15.8 mm	19 mm	549 mm	556.1 mm	563.2 mm
MAS Ledtube 1200mm HO 16W 865 T5 DC	15.8 mm	19 mm	1149 mm	1156.1 mm	1163.2 mm

Product	D1	D2	A1	A2	A3
LED 3.5W 500mm S14S WW ND 1CT/4	30 mm	30 mm	466.8 mm		499 mm
LED 2.2W 300mm S14S WW ND 1CT/4	30 mm	30 mm	266.8 mm		299 mm

Product	D1	D2	A1	A2	A3
LED 3.5W 500mm S14D WW ND 1CT/4	30 mm	30 mm	266.8 mm		299 mm
LED 2.2W 300mm S14D WW ND 1CT/4	30 mm	30 mm	266.8 mm		299 mm

Other LEDtube

Dimensional drawing



Product	D1	D2	A1	A2	A3
MAS LEDtube VLE DC 1200mm 15.5W 865 T8	25.7 mm	28 mm	1198 mm	1205 mm	1212 mm
MAS LEDtube VLE DC 1200mm 15.5W 830 T8	25.7 mm	28 mm	1198 mm	1205 mm	1212 mm

Operating and electrical

Starting Time (Nom)	0.5 s
---------------------	-------

Light technical

LLmf At End Of Nominal Lifetime (Nom)	70 %
---------------------------------------	------

Temperature

T-Ambient (Max)	45 °C
T-Ambient (Min)	-20 °C
T-Storage (Max)	65 °C
T-Storage (Min)	-40 °C

Approval and application

Order Code	Full Product Name	Energy Consumption kWh/1000 h
929001126730	LED 6.5W 310mm S19 WW ND 1CT/4	7 kWh
929002387208	MAS Ledtube 600mm HO 8.3W 840 T5 DC	9 kWh
929002387308	MAS Ledtube 600mm HO 8.3W 865 T5 DC	9 kWh
929002387408	MAS Ledtube 1200mm HO 16W 840 T5 DC	16 kWh
929002387508	MAS Ledtube 1200mm HO 16W 865 T5 DC	16 kWh
929002443801	LED 4.5W 310mm S19 WW ND 1CT/4	5 kWh

Order Code	Full Product Name	Energy Consumption kWh/1000 h
929002444001	LED 2.2W 300mm S14D WW ND 1CT/4	3 kWh
929002444101	LED 3.5W 500mm S14D WW ND 1CT/4	4 kWh
929002444201	LED 2.2W 300mm S14S WW ND 1CT/4	3 kWh
929002444301	LED 3.5W 500mm S14S WW ND 1CT/4	4 kWh
929003554721	MAS LEDtube VLE DC 1200mm 15.5W 865 T8	-
929003557121	MAS LEDtube VLE DC 1200mm 15.5W 830 T8	-

Controls and dimming

Order Code	Full Product Name	Dimmable
929001126730	LED 6.5W 310mm S19 WW ND 1CT/4	No
929002387208	MAS Ledtube 600mm HO 8.3W 840 T5 DC	Yes
929002387308	MAS Ledtube 600mm HO 8.3W 865 T5 DC	Yes
929002387408	MAS Ledtube 1200mm HO 16W 840 T5 DC	Yes
929002387508	MAS Ledtube 1200mm HO 16W 865 T5 DC	Yes
929002443801	LED 4.5W 310mm S19 WW ND 1CT/4	No

Order Code	Full Product Name	Dimmable
929002444001	LED 2.2W 300mm S14D WW ND 1CT/4	No
929002444101	LED 3.5W 500mm S14D WW ND 1CT/4	No
929002444201	LED 2.2W 300mm S14S WW ND 1CT/4	No
929002444301	LED 3.5W 500mm S14S WW ND 1CT/4	No
929003554721	MAS LEDtube VLE DC 1200mm 15.5W 865 T8	No
929003557121	MAS LEDtube VLE DC 1200mm 15.5W 830 T8	No

Operating and electrical

Other LEDtube

Order Code	Full Product Name	Input Frequency	Voltage (Nom)	Power (Nom)
929001126730	LED 6.5W 310mm S19 WW ND 1CT/4	50 to 60 Hz	220-240 V	6.5 W
929002387208	MAS Ledtube 600mm HO 8.3W 840 T5 DC	- Hz	52-59 V	8.3 W
929002387308	MAS Ledtube 600mm HO 8.3W 865 T5 DC	- Hz	52-59 V	8.3 W
929002387408	MAS Ledtube 1200mm HO 16W 840 T5 DC	- Hz	52-59 V	16 W
929002387508	MAS Ledtube 1200mm HO 16W 865 T5 DC	- Hz	52-59 V	16 W
929002443801	LED 4.5W 310mm S19 WW ND 1CT/4	50 to 60 Hz	220-240 V	4.5 W

Order Code	Full Product Name	Input Frequency	Voltage (Nom)	Power (Nom)
929002444001	LED 2.2W 300mm S14D WW ND 1CT/4	50 to 60 Hz	220-240 V	2.2 W
929002444101	LED 3.5W 500mm S14D WW ND 1CT/4	50 to 60 Hz	220-240 V	3.5 W
929002444201	LED 2.2W 300mm S14S WW ND 1CT/4	50 to 60 Hz	220-240 V	2.2 W
929002444301	LED 3.5W 500mm S14S WW ND 1CT/4	50 to 60 Hz	220-240 V	3.5 W
929003554721	MAS LEDtube VLE DC 1200mm 15.5W 865 T8	50 to 60 Hz	24-34 V	15.5 W
929003557121	MAS LEDtube VLE DC 1200mm 15.5W 830 T8	50 to 60 Hz	24-34 V	15.5 W

General information

Order Code	Full Product Name	Cap-Base	Nominal Lifetime (Nom)	Switching Cycle
929001126730	LED 6.5W 310mm S19 WW ND 1CT/4	S19	15000 h	50000
929002387208	MAS Ledtube 600mm HO 8.3W 840 T5 DC	G5	50000 h	200000
929002387308	MAS Ledtube 600mm HO 8.3W 865 T5 DC	G5	50000 h	200000
929002387408	MAS Ledtube 1200mm HO 16W 840 T5 DC	G5	50000 h	200000
929002387508	MAS Ledtube 1200mm HO 16W 865 T5 DC	G5	50000 h	200000
929002443801	LED 4.5W 310mm S19 WW ND 1CT/4	S19	30000 h	50000X

Order Code	Full Product Name	Cap-Base	Nominal Lifetime (Nom)	Switching Cycle
929002444001	LED 2.2W 300mm S14D WW ND 1CT/4	S14D	30000 h	50000X
929002444101	LED 3.5W 500mm S14D WW ND 1CT/4	S14D	30000 h	50000X
929002444201	LED 2.2W 300mm S14S WW ND 1CT/4	S14S	30000 h	50000X
929002444301	LED 3.5W 500mm S14S WW ND 1CT/4	S14S	30000 h	50000X
929003554721	MAS LEDtube VLE DC 1200mm 15.5W 865 T8	G13	50000 h	50000
929003557121	MAS LEDtube VLE DC 1200mm 15.5W 830 T8	G13	50000 h	50000

Light technical

Order Code	Full Product Name	Beam Angle (Nom)	Color Code (Nom)	Correlated Color Temperature (Nom)	Color Rendering Index (Nom)	Luminous Flux (Nom)
929001126730	LED 6.5W 310mm S19 WW ND 1CT/4	175 °	827	2700 K	83	480 lm
929002387208	MAS Ledtube 600mm HO 8.3W 840 T5 DC	160 °	840	4000 K	82	1250 lm
929002387308	MAS Ledtube 600mm HO 8.3W 865 T5 DC	160 °	865	6500 K	82	1250 lm
929002387408	MAS Ledtube 1200mm HO 16W 840 T5 DC	160 °	840	4000 K	82	2500 lm
929002387508	MAS Ledtube 1200mm HO 16W 865 T5 DC	160 °	865	6500 K	82	2500 lm
929002443801	LED 4.5W 310mm S19 WW ND 1CT/4	175 °	827	2700 K	80	480 lm
929002444001	LED 2.2W 300mm S14D WW ND 1CT/4	140 °	827	2700 K	80	250 lm
929002444101	LED 3.5W 500mm S14D WW ND 1CT/4	140 °	827	2700 K	80	375 lm
929002444201	LED 2.2W 300mm S14S WW ND 1CT/4	140 °	827	2700 K	80	250 lm
929002444301	LED 3.5W 500mm S14S WW ND 1CT/4	140 °	827	2700 K	80	375 lm
929003554721	MAS LEDtube VLE DC 1200mm 15.5W 865 T8	240 °	865	6500 K	82	2300 lm
929003557121	MAS LEDtube VLE DC 1200mm 15.5W 830 T8	240 °	830	3000 K	82	2300 lm

Mechanical and housing

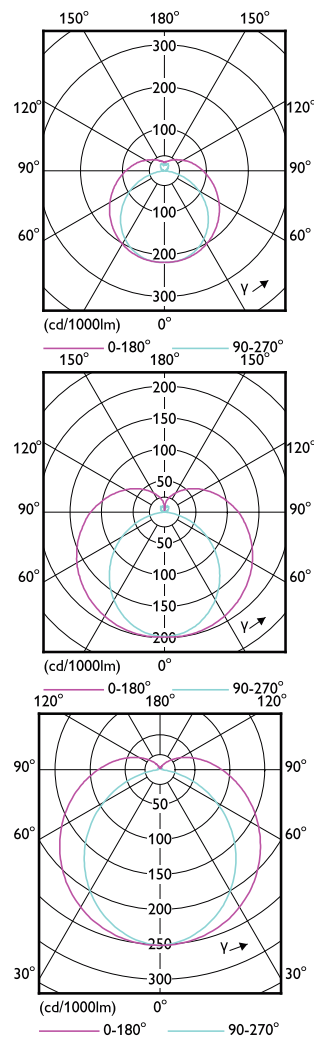
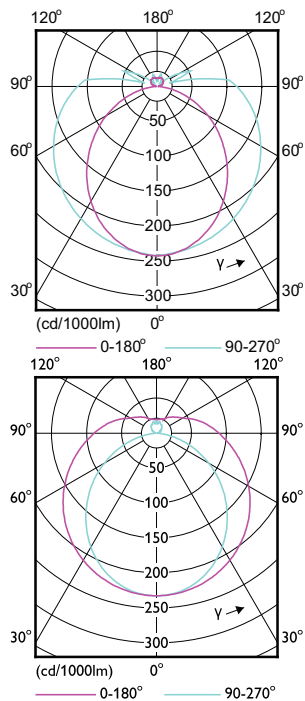
Other LEDtube

Order Code	Full Product Name	Bulb Finish	Bulb Shape
929001126730	LED 6.5W 310mm S19 WW ND 1CT/4	-	Tube, double-ended
929002387208	MAS Ledtube 600mm HO 8.3W 840 T5 DC	Frosted	Tube, double-ended
929002387308	MAS Ledtube 600mm HO 8.3W 865 T5 DC	Frosted	Tube, double-ended
929002387408	MAS Ledtube 1200mm HO 16W 840 T5 DC	Frosted	Tube, double-ended
929002387508	MAS Ledtube 1200mm HO 16W 865 T5 DC	Frosted	Tube, double-ended

Order Code	Full Product Name	Bulb Finish	Bulb Shape
929002443801	LED 4.5W 310mm S19 WW ND 1CT/4	Frosted	Others
929002444001	LED 2.2W 300mm S14D WW ND 1CT/4	Frosted	Others
929002444101	LED 3.5W 500mm S14D WW ND 1CT/4	Frosted	Others
929002444201	LED 2.2W 300mm S14S WW ND 1CT/4	Frosted	Others
929002444301	LED 3.5W 500mm S14S WW ND 1CT/4	Frosted	Others
929003554721	MAS LEDtube VLE DC 1200mm 15.5W 865 T8	Frosted	Tube, double-ended
929003557121	MAS LEDtube VLE DC 1200mm 15.5W 830 T8	Frosted	Tube, double-ended

Temperature

Order Code	Full Product Name	T-Case Maximum (Nom)
929001126730	LED 6.5W 310mm S19 WW ND 1CT/4	45 °C
929002387208	MAS Ledtube 600mm HO 8.3W 840 T5 DC	45 °C
929002387308	MAS Ledtube 600mm HO 8.3W 865 T5 DC	45 °C
929002387408	MAS Ledtube 1200mm HO 16W 840 T5 DC	55 °C
929002387508	MAS Ledtube 1200mm HO 16W 865 T5 DC	55 °C
929002443801	LED 4.5W 310mm S19 WW ND 1CT/4	30 °C
929002444001	LED 2.2W 300mm S14D WW ND 1CT/4	30 °C
929002444101	LED 3.5W 500mm S14D WW ND 1CT/4	30 °C
929002444201	LED 2.2W 300mm S14S WW ND 1CT/4	30 °C
929002444301	LED 3.5W 500mm S14S WW ND 1CT/4	30 °C
929003554721	MAS LEDtube VLE DC 1200mm 15.5W 865 T8	45 °C
929003557121	MAS LEDtube VLE DC 1200mm 15.5W 830 T8	45 °C



Other LEDtube

