



A smooth design solution for a seamless look

PAR30/PAR20 LED

Philips PAR30S LED Single Optic Lamps with AirFlux Technology provide superior lighting aesthetics and optimal thermal efficiency in a sleek, lightweight design.

Benefits

- Will not fade colors, avoids inventory spoilage
- Lowers maintenance costs by reducing re-lamp frequency
- 5-year limited warranty**
- ** For details see: http://www.usa.lighting.philips.com/connect/tools_literature/warranties.wpd

Features

- Retail Optic reduces glare to improve shopper experience
- 25,000-hour rated average life*
- 12W PAR30S saves 63 watts when compared to a 75W halogen PAR30S
- 83 CRI for excellent color rendering
- Virtually UV/IR free in the beam
- Contains no mercury

Application

- Ideal for general and accent lighting in retail, hospitality and office spaces.

PAR30/PAR20 LED

Versions

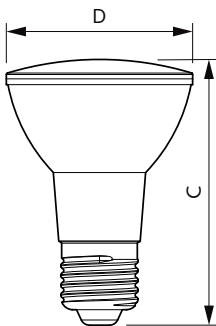
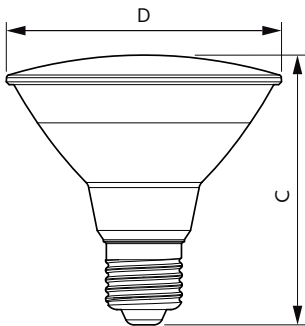


LEDspot E27 PAR30S



LEDspot PAR20 E27

Dimensional drawing



Product	D	C
LEDspot 70W PAR30S 827 100-277V 25D ND	93 mm	91 mm
LEDspot 70W PAR30S 865 100-277V 25D ND	93 mm	91 mm

Product	D	C
LEDspot 50W PAR20 865 100-240V 25D ND SO	63 mm	89 mm

PAR30/PAR20 LED

Approval and Application

Energy Consumption kWh/1000 h - kWh

Controls and Dimming

Dimmable No

Operating and Electrical

Input Frequency 50 to 60 Hz

Starting Time (Nom) 0.5 s

General Information

Cap-Base E27

Nominal Lifetime (Nom) 25000 h

Switching Cycle 25000X

Light Technical

Beam Angle (Nom) 25 °

Color Rendering Index (Nom) 80

Llmf At End Of Nominal Lifetime (Nom) 70 %

Operating and Electrical

Order Code	Full Product Name	Voltage (Nom)	Wattage	Power (Rated)
			Equivalent	(Nom)
929001389612	LEDspot 70W PAR30S 827 100-277V 25D ND	100-277 V	70 W	9 W
929001929512	LEDspot 70W PAR30S 865 100-277V 25D ND	100-277 V	70 W	9 W
929001929412	LEDspot 50W PAR20 865 100-240V 25D ND SO	100-240 V	50 W	6.5 W

Light Technical

Order Code	Full Product Name	Color Code	Correlated Color	Luminous Flux (Nom)	Luminous Intensity (Nom)
			Temperature (Nom)		
929001389612	LEDspot 70W PAR30S 827 100-277V 25D ND	827	2700 K	900 lm	3300 cd
929001929512	LEDspot 70W PAR30S 865 100-277V 25D ND	865	6500 K	900 lm	3300 cd

Order Code	Full Product Name	Color Code	Correlated Color	Luminous Flux (Nom)	Luminous Intensity (Nom)
			Temperature (Nom)		
929001929412	LEDspot 50W PAR20 865 100-240V 25D ND SO	865	6500 K	525 lm	1500 cd

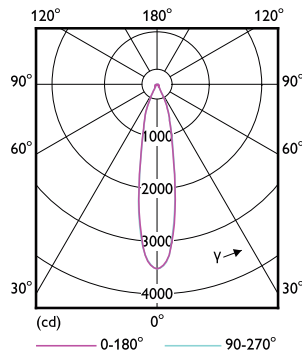
Mechanical and Housing

Order Code	Full Product Name	Bulb Shape
929001389612	LEDspot 70W PAR30S 827 100-277V 25D ND	PAR30S
929001929512	LEDspot 70W PAR30S 865 100-277V 25D ND	PAR30S

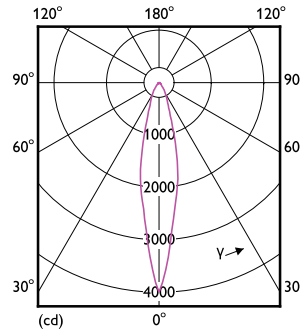
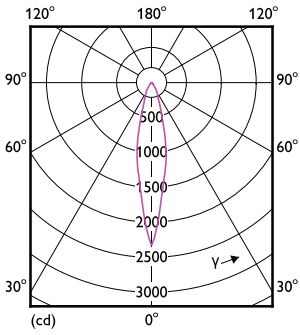
Order Code	Full Product Name	Bulb Shape
929001929412	LEDspot 50W PAR20 865 100-240V 25D ND SO	PAR20

Temperature

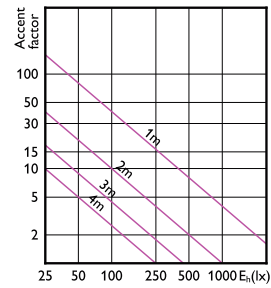
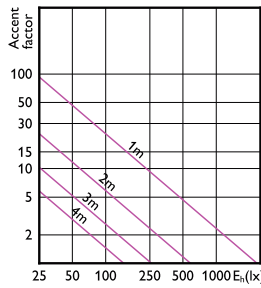
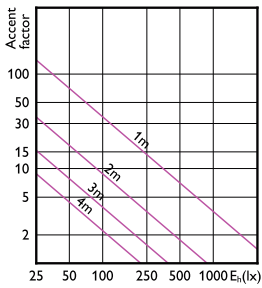
Order Code	Full Product Name	T-Case Maximum (Nom)
929001389612	LEDspot 70W PAR30S 827 100-277V 25D ND	80 °C
929001929512	LEDspot 70W PAR30S 865 100-277V 25D ND	75 °C
929001929412	LEDspot 50W PAR20 865 100-240V 25D ND SO	75 °C



PAR30/PAR20 LED



Accent Diagrams

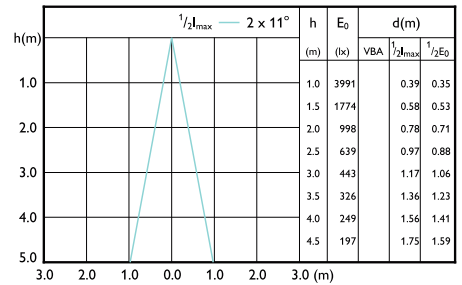
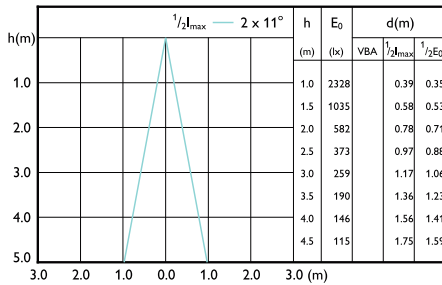
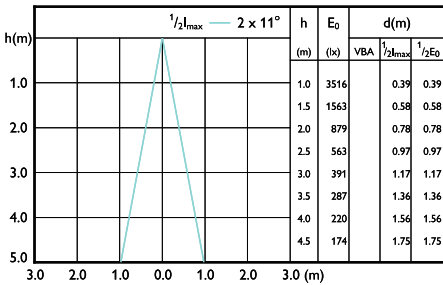


LEDspot_70W_E27_PAR30S_827_25°

LEDspot PAR20 14-90W 1300lm 25D 6500K
E27

LEDspot PAR30Sd 9-75W 950lm 25D 6500K
E27

Beam Diagrams



LEDspot_70W_E27_PAR30S_827_25°

LEDspot PAR20 14-90W 1300lm 25D 6500K
E27

LEDspot PAR30Sd 9-75W 950lm 25D 6500K
E27

