



ArenaVision MVF403 – world-class performance

ArenaVision MVF403

ArenaVision MVF403 takes sports floodlighting to the highest level, offering very high light output, optical efficiency, ease of installation, reliability and flexibility. It is ideal for indoor sports halls (1000 W version) as well as many outdoor sports and other lighting applications. The integrated system of oval optics and compact double-ended MHN-LA 1000W or MHN-SA HO 2000W lamps ensures outstanding system efficiency and low glare. A built-in reflector skirt reduces spill light and glare even further. The MHN-SA HO 2000W/956 and MHN-LA 1000W/956 lamps meet the highest international CTV requirements. With the MHN-LA 1000W/842 lamp, the natural color rendering and comfortable atmosphere are well suited to TV and filming as well as other floodlighting applications. Hot re-strike versions are available for all lamp types, enabling immediate restoration of lighting after power supply failure. The (optional) flicker-free version of ArenaVision MVF403 MHN-LA 1000W is designed to ensure that the flicker effect is fully eliminated in order to guarantee perfect images filmed with super-slow-motion cameras at sports events. The flicker-free version of ArenaVision MVF403 comes equipped with a special electronic ignitor, which works in combination with Philips' electronic flicker-free ballast GearUnits (ECM330), to be ordered separately.

Benefits

- Innovative floodlights designed around Philips' world-class double-ended lamps; dedicated optics ensure maximum optical efficiency and enable accurate light distribution with a minimum of spill light
- Philips quartz metal-halide lamps meet the most demanding lighting and TV broadcast requirements with excellent color rendering
- The flicker-free version completely eliminates flicker effect, thereby guaranteeing perfect images filmed with super-slow-motion cameras

ArenaVision MVF403

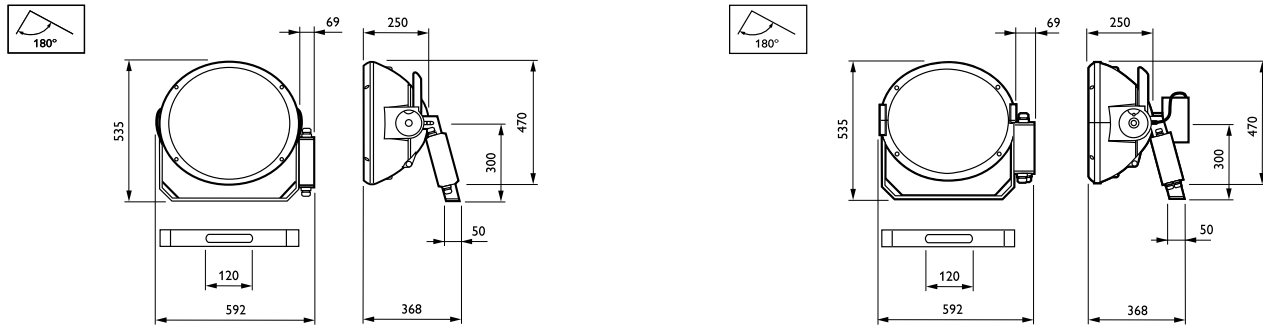
Features

- High-output double-ended metal-halide lamps with excellent color rendering and lifetime
- Dedicated precision optics
- Safety switch
- Electronic hot-restrike
- Complete Philips lamp, optic and gear system
- Flicker-free light version for super-slow-motion cameras

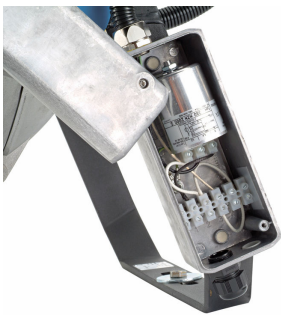
Application

- Outdoor sport stadiums
- Indoor sport halls

Dimensional drawing



Product details



OPDP_MVF403i_0027-Detail

photo

ArenaVision MVF403

| General Information | |
|--|--|
| CE mark | Yes |
| Flammability mark | - |
| Gear | - |
| Number of gear units | - |
| Product family code | MVF403 |
| Approval and Application | |
| Mech. impact protection code | IK08 |
| Ingress protection code | IP65 |
| Surge Protection (Common/Differential) | - |
| Light Technical | |
| Luminaire light beam spread | - |
| Optical cover/lens type | Front-glass downlighting version |
| Number of light sources | 1 |
| Standard tilt angle side entry | - |
| Standard tilt angle posttop | - |
| Controls and Dimming | |
| Dimmable | No |
| Mechanical and Housing | |
| Housing Color | Aluminum |
| Application Conditions | |
| Maximum dim level | Not applicable |

General Information

| Order Code | Full Product Name | Lamp family code |
|--------------|----------------------------------|------------------|
| 910502223118 | MVF403 MHN-LA1000W/956 A1 SI | MHN-LA |
| 910502223218 | MVF403 MHN-LA1000W/956 A2 SI | MHN-LA |
| 910502223318 | MVF403 MHN-LA1000W/956 A3 SI | MHN-LA |
| 910502223418 | MVF403 MHN-LA1000W/956 A4 SI | MHN-LA |
| 910502223518 | MVF403 MHN-LA1000W/956 A5 SI | MHN-LA |
| 910502223618 | MVF403 MHN-LA1000W/956 A6 SI | MHN-LA |
| 910502223718 | MVF403 MHN-LA1000W/956 A7 SI | MHN-LA |
| 910502223818 | MVF403 MHN-LA1000W/956 A8 SI | MHN-LA |
| 910504910118 | MVF403 MHN-LA1000W/956 A4 HRE | MHN-LA |
| 910504910218 | MVF403 MHN-LA1000W/956 A5 HRE | MHN-LA |
| 910504910318 | MVF403 MHN-LA1000W/956 A6 HRE | MHN-LA |
| 910925430612 | MVF403 MHN-SA2000W A7 SI AM | MHN-SA |
| 910925431612 | MVF403 MHN-SA2000W A1 SI | MHN-SA |
| 910925431712 | MVF403 MHN-SA2000W A2 SI | MHN-SA |
| 910925431812 | MVF403 MHN-SA2000W A3 SI | MHN-SA |
| 910925431912 | MVF403 MHN-SA2000W A4 SI | MHN-SA |
| 910925432012 | MVF403 MHN-SA2000W A5 SI | MHN-SA |
| 910925432112 | MVF403 MHN-SA2000W A6 SI | MHN-SA |
| 910925432212 | MVF403 MHN-SA2000W A7 SI | MHN-SA |
| 910925745912 | MVF403 MHN-SA2000W/956 A1 HRE AM | MHN-SA |
| 910925746012 | MVF403 MHN-SA2000W/956 A2 HRE AM | MHN-SA |
| 910925746112 | MVF403 MHN-SA2000W/956 A3 HRE AM | MHN-SA |
| 910925746212 | MVF403 MHN-SA2000W/956 A4 HRE AM | MHN-SA |
| 910925746312 | MVF403 MHN-SA2000W/956 A5 HRE AM | MHN-SA |
| 910925746412 | MVF403 MHN-SA2000W/956 A6 HRE AM | MHN-SA |
| 910925746512 | MVF403 MHN-SA2000W/956 A7 HRE AM | MHN-SA |
| 910925746712 | MVF403 MHN-SA2000W/956 A1 SI AM | MHN-SA |
| 910925746812 | MVF403 MHN-SA2000W/956 A2 SI AM | MHN-SA |
| 910925746912 | MVF403 MHN-SA2000W/956 A3 SI AM | MHN-SA |
| 910925747012 | MVF403 MHN-SA2000W/956 A4 SI AM | MHN-SA |
| 910925747112 | MVF403 MHN-SA2000W/956 A5 SI AM | MHN-SA |
| 910925747212 | MVF403 MHN-SA2000W/956 A6 SI AM | MHN-SA |
| 910925747312 | MVF403 MHN-SA2000W/956 A7 SI AM | MHN-SA |
| 910925747612 | MVF403 MHN-SA2000W/956 A2 HRE | MHN-SA |
| 910925747712 | MVF403 MHN-SA2000W/956 A3 HRE | MHN-SA |
| 910925747812 | MVF403 MHN-SA2000W/956 A4 HRE | MHN-SA |
| 910925747912 | MVF403 MHN-SA2000W/956 A5 HRE | MHN-SA |
| 910925748012 | MVF403 MHN-SA2000W/956 A6 HRE | MHN-SA |
| 910925748112 | MVF403 MHN-SA2000W/956 A7 HRE | MHN-SA |
| 910925748312 | MVF403 MHN-SA2000W/956 A1 SI | MHN-SA |
| 910925748412 | MVF403 MHN-SA2000W/956 A2 SI | MHN-SA |
| 910925748512 | MVF403 MHN-SA2000W/956 A3 SI | MHN-SA |
| 910925748612 | MVF403 MHN-SA2000W/956 A4 SI | MHN-SA |
| 910925748712 | MVF403 MHN-SA2000W/956 A5 SI | MHN-SA |
| 910925748812 | MVF403 MHN-SA2000W/956 A6 SI | MHN-SA |
| 910925748912 | MVF403 MHN-SA2000W/956 A7 SI | MHN-SA |

Light Technical

ArenaVision MVF403

| Order Code | Full Product Name | Light source color | Correlated Color Temperature (Nom) | Color rendering index (CRI) | Optic type outdoor |
|--------------|-------------------------------|--------------------|------------------------------------|-----------------------------|--------------------|
| 910502223118 | MVF403 MHN-LA1000W/956 A1 SI | 956 daylight | 5600 K | >90 | Beam category A1 |
| 910502223218 | MVF403 MHN-LA1000W/956 A2 SI | 956 daylight | 5600 K | >90 | Beam category A2 |
| 910502223318 | MVF403 MHN-LA1000W/956 A3 SI | 956 daylight | 5600 K | >90 | Beam category A3 |
| 910502223418 | MVF403 MHN-LA1000W/956 A4 SI | 956 daylight | 5600 K | >90 | Beam category A4 |
| 910502223518 | MVF403 MHN-LA1000W/956 A5 SI | 956 daylight | 5600 K | >90 | Beam category A5 |
| 910502223618 | MVF403 MHN-LA1000W/956 A6 SI | 956 daylight | 5600 K | >90 | Beam category A6 |
| 910502223718 | MVF403 MHN-LA1000W/956 A7 SI | 956 daylight | 5600 K | >90 | Beam category A7 |
| 910502223818 | MVF403 MHN-LA1000W/956 A8 SI | 956 daylight | 5600 K | >90 | Beam category A8 |
| 910504910118 | MVF403 MHN-LA1000W/956 A4 HRE | 956 daylight | 5600 K | >90 | Beam category A4 |
| 910504910218 | MVF403 MHN-LA1000W/956 A5 HRE | 956 daylight | 5600 K | >90 | Beam category A5 |
| 910504910318 | MVF403 MHN-LA1000W/956 A6 HRE | 956 daylight | 5600 K | >90 | Beam category A6 |
| 910925430612 | MVF403 MHN-SA2000W A7 SI AM | - | - | - | Beam category A7 |
| 910925431612 | MVF403 MHN-SA2000W A1 SI | - | - | - | Beam category A1 |
| 910925431712 | MVF403 MHN-SA2000W A2 SI | - | - | - | Beam category A2 |
| 910925431812 | MVF403 MHN-SA2000W A3 SI | - | - | - | Beam category A3 |
| 910925431912 | MVF403 MHN-SA2000W A4 SI | - | - | - | Beam category A4 |
| 910925432012 | MVF403 MHN-SA2000W A5 SI | - | - | - | Beam category A5 |
| 910925432112 | MVF403 MHN-SA2000W A6 SI | - | - | - | Beam category A6 |

| Order Code | Full Product Name | Light source color | Correlated Color Temperature (Nom) | Color rendering index (CRI) | Optic type outdoor |
|--------------|----------------------------------|--------------------|------------------------------------|-----------------------------|--------------------|
| 910925432212 | MVF403 MHN-SA2000W A7 SI | - | - | - | Beam category A7 |
| 910925745912 | MVF403 MHN-SA2000W/956 A1 HRE AM | 956 daylight | 5600 K | >90 | Beam category A1 |
| 910925746012 | MVF403 MHN-SA2000W/956 A2 HRE AM | 956 daylight | 5600 K | >90 | Beam category A2 |
| 910925746112 | MVF403 MHN-SA2000W/956 A3 HRE AM | 956 daylight | 5600 K | >90 | Beam category A3 |
| 910925746212 | MVF403 MHN-SA2000W/956 A4 HRE AM | 956 daylight | 5600 K | >90 | Beam category A4 |
| 910925746312 | MVF403 MHN-SA2000W/956 A5 HRE AM | 956 daylight | 5600 K | >90 | Beam category A5 |
| 910925746412 | MVF403 MHN-SA2000W/956 A6 HRE AM | 956 daylight | 5600 K | >90 | Beam category A6 |
| 910925746512 | MVF403 MHN-SA2000W/956 A7 HRE AM | 956 daylight | 5600 K | >90 | Beam category A7 |
| 910925746712 | MVF403 MHN-SA2000W/956 A1 SI AM | 956 daylight | 5600 K | >90 | Beam category A1 |
| 910925746812 | MVF403 MHN-SA2000W/956 A2 SI AM | 956 daylight | 5600 K | >90 | Beam category A2 |
| 910925746912 | MVF403 MHN-SA2000W/956 A3 SI AM | 956 daylight | 5600 K | >90 | Beam category A3 |
| 910925747012 | MVF403 MHN-SA2000W/956 A4 SI AM | 956 daylight | 5600 K | >90 | Beam category A4 |
| 910925747112 | MVF403 MHN-SA2000W/956 A5 SI AM | 956 daylight | 5600 K | >90 | Beam category A5 |
| 910925747212 | MVF403 MHN-SA2000W/956 A6 SI AM | 956 daylight | 5600 K | >90 | Beam category A6 |
| 910925747312 | MVF403 MHN-SA2000W/956 A7 SI AM | 956 daylight | 5600 K | >90 | Beam category A7 |
| 910925747612 | MVF403 MHN-SA2000W/956 A2 HRE | 956 daylight | 5600 K | >90 | Beam category A2 |

ArenaVision MVF403

| Order Code | Full Product Name | Light source color | Correlated Color Temperature (Nom) | Color rendering index (CRI) | Optic type outdoor |
|--------------|-------------------------------|--------------------|------------------------------------|-----------------------------|--------------------|
| 910925747712 | MVF403 MHN-SA2000W/956 A3 HRE | 956 daylight | 5600 K | >90 | Beam category A3 |
| 910925747812 | MVF403 MHN-SA2000W/956 A4 HRE | 956 daylight | 5600 K | >90 | Beam category A4 |
| 910925747912 | MVF403 MHN-SA2000W/956 A5 HRE | 956 daylight | 5600 K | >90 | Beam category A5 |
| 910925748012 | MVF403 MHN-SA2000W/956 A6 HRE | 956 daylight | 5600 K | >90 | Beam category A6 |
| 910925748112 | MVF403 MHN-SA2000W/956 A7 HRE | 956 daylight | 5600 K | >90 | Beam category A7 |
| 910925748312 | MVF403 MHN-SA2000W/956 A1 SI | 956 daylight | 5600 K | >90 | Beam category A1 |

| Order Code | Full Product Name | Light source color | Correlated Color Temperature (Nom) | Color rendering index (CRI) | Optic type outdoor |
|--------------|------------------------------|--------------------|------------------------------------|-----------------------------|--------------------|
| 910925748412 | MVF403 MHN-SA2000W/956 A2 SI | 956 daylight | 5600 K | >90 | Beam category A2 |
| 910925748512 | MVF403 MHN-SA2000W/956 A3 SI | 956 daylight | 5600 K | >90 | Beam category A3 |
| 910925748612 | MVF403 MHN-SA2000W/956 A4 SI | 956 daylight | 5600 K | >90 | Beam category A4 |
| 910925748712 | MVF403 MHN-SA2000W/956 A5 SI | 956 daylight | 5600 K | >90 | Beam category A5 |
| 910925748812 | MVF403 MHN-SA2000W/956 A6 SI | 956 daylight | 5600 K | >90 | Beam category A6 |
| 910925748912 | MVF403 MHN-SA2000W/956 A7 SI | 956 daylight | 5600 K | >90 | Beam category A7 |

Operating and Electrical

| Order Code | Full Product Name | Power Consumption |
|--------------|----------------------------------|-------------------|
| 910502223118 | MVF403 MHN-LA1000W/956 A1 SI | 1,000 W |
| 910502223218 | MVF403 MHN-LA1000W/956 A2 SI | 1,000 W |
| 910502223318 | MVF403 MHN-LA1000W/956 A3 SI | 1,000 W |
| 910502223418 | MVF403 MHN-LA1000W/956 A4 SI | 1,000 W |
| 910502223518 | MVF403 MHN-LA1000W/956 A5 SI | 1,000 W |
| 910502223618 | MVF403 MHN-LA1000W/956 A6 SI | 1,000 W |
| 910502223718 | MVF403 MHN-LA1000W/956 A7 SI | 1,000 W |
| 910502223818 | MVF403 MHN-LA1000W/956 A8 SI | 1,000 W |
| 910504910118 | MVF403 MHN-LA1000W/956 A4 HRE | 1,000 W |
| 910504910218 | MVF403 MHN-LA1000W/956 A5 HRE | 1,000 W |
| 910504910318 | MVF403 MHN-LA1000W/956 A6 HRE | 1,000 W |
| 910925430612 | MVF403 MHN-SA2000W A7 SI AM | 2,000 W |
| 910925431612 | MVF403 MHN-SA2000W A1 SI | 2,000 W |
| 910925431712 | MVF403 MHN-SA2000W A2 SI | 2,000 W |
| 910925431812 | MVF403 MHN-SA2000W A3 SI | 2,000 W |
| 910925431912 | MVF403 MHN-SA2000W A4 SI | 2,000 W |
| 910925432012 | MVF403 MHN-SA2000W A5 SI | 2,000 W |
| 910925432112 | MVF403 MHN-SA2000W A6 SI | 2,000 W |
| 910925432212 | MVF403 MHN-SA2000W A7 SI | 2,000 W |
| 910925745912 | MVF403 MHN-SA2000W/956 A1 HRE AM | 2,000 W |
| 910925746012 | MVF403 MHN-SA2000W/956 A2 HRE AM | 2,000 W |
| 910925746112 | MVF403 MHN-SA2000W/956 A3 HRE AM | 2,000 W |
| 910925746212 | MVF403 MHN-SA2000W/956 A4 HRE AM | 2,000 W |

| Order Code | Full Product Name | Power Consumption |
|--------------|----------------------------------|-------------------|
| 910925746312 | MVF403 MHN-SA2000W/956 A5 HRE AM | 2,000 W |
| 910925746412 | MVF403 MHN-SA2000W/956 A6 HRE AM | 2,000 W |
| 910925746512 | MVF403 MHN-SA2000W/956 A7 HRE AM | 2,000 W |
| 910925746712 | MVF403 MHN-SA2000W/956 A1 SI AM | 2,000 W |
| 910925746812 | MVF403 MHN-SA2000W/956 A2 SI AM | 2,000 W |
| 910925746912 | MVF403 MHN-SA2000W/956 A3 SI AM | 2,000 W |
| 910925747012 | MVF403 MHN-SA2000W/956 A4 SI AM | 2,000 W |
| 910925747112 | MVF403 MHN-SA2000W/956 A5 SI AM | 2,000 W |
| 910925747212 | MVF403 MHN-SA2000W/956 A6 SI AM | 2,000 W |
| 910925747312 | MVF403 MHN-SA2000W/956 A7 SI AM | 2,000 W |
| 910925747612 | MVF403 MHN-SA2000W/956 A2 HRE | 2,000 W |
| 910925747712 | MVF403 MHN-SA2000W/956 A3 HRE | 2,000 W |
| 910925747812 | MVF403 MHN-SA2000W/956 A4 HRE | 2,000 W |
| 910925747912 | MVF403 MHN-SA2000W/956 A5 HRE | 2,000 W |
| 910925748012 | MVF403 MHN-SA2000W/956 A6 HRE | 2,000 W |
| 910925748112 | MVF403 MHN-SA2000W/956 A7 HRE | 2,000 W |
| 910925748312 | MVF403 MHN-SA2000W/956 A1 SI | 2,000 W |
| 910925748412 | MVF403 MHN-SA2000W/956 A2 SI | 2,000 W |
| 910925748512 | MVF403 MHN-SA2000W/956 A3 SI | 2,000 W |
| 910925748612 | MVF403 MHN-SA2000W/956 A4 SI | 2,000 W |
| 910925748712 | MVF403 MHN-SA2000W/956 A5 SI | 2,000 W |
| 910925748812 | MVF403 MHN-SA2000W/956 A6 SI | 2,000 W |
| 910925748912 | MVF403 MHN-SA2000W/956 A7 SI | 2,000 W |

