



Dimming – a next step in energy saving

HF-Regulator Intelligent Touch DALI for PL-T/C and TL5C

Intelligent high-frequency electronic dimming ballast, using DALI (Digital Addressable Lighting Interface according to IEC62386) or Touch and Dim push-button protocol for fluorescent lamps. Features Corridor Mode, programmable with Philips MultiOne. High-frequency operation improves light quality and lamp lifetime. Pre-empts upcoming legislation as it meets A1BAT requirements. The ballast is primarily designed for Indoor application. For outdoor application, the luminaire should be minimum Classland need to be sufficiently protected against water & dust. The installation should also be guard against any lightening surge or any other necessary electrical protection as deemed in such typical installation & application.

Benefits

- Programmed start: flicker-free ignition in 0.5 seconds and striation-free operation, no stroboscopic effects. Preheating the lamp electrodes enables the lamps to be switched on and off without reducing life
- Smart power ensures constant light, independent of mains fluctuations, and dimming from 3 to 100%
- Protected against excessive mains voltages, incorrect connections and incorrect lamp use

Features

- Extremely low stand-by losses, controlled cut-off for dimming levels above 80%
- Combined with controls, additional energy savings can be achieved
- Stop circuit is activated within 5 seconds of lamp failure (safety stop), and ballast resets automatically after lamp replacement
- HF operation improves light quality and lamp lifetime
- Programmable Corridor Mode
- Compliant with European and Asian norms and suitable for emergency lighting systems

HF-Regulator Intelligent Touch DALI for PL-T/C and TL5C

Application

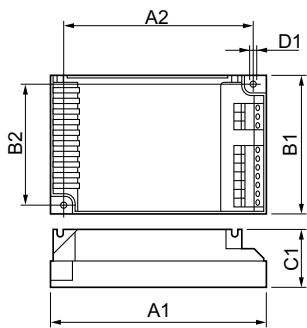
- Indoor general and task lighting applications in combination with lighting control systems (personal control, daylight linking and/or movement detection)

Versions



HF-Ri TD PL-T/C E+

Dimensional drawing



Product	D1	C1	A1	A2	B1	B2
HF-Ri TD 1 26-42 PL-T/C E+	4.5	33.0	123.0	111.0	79.0	67.0
	mm	mm	mm	mm	mm	mm
HF-Ri TD 2 26-42 PL-T/C E+	4.5	33.0	123.0	111.0	79.0	67.0
	mm	mm	mm	mm	mm	mm
HF-Ri TD 155 TL5C E+						
195-240V 50/60Hz						
HF-Ri TD 160 TL5C E+						
195-240V 50/60Hz						

Approval and application

Energy Efficiency Index A1 BAT

Operating and electrical

Input Frequency 50 to 60 Hz

Input Voltage 195-240 V

Mechanical and housing

Housing L 123x79x33

General information

Order Code	Full Product Name	Number Of Products On		
		MCB (16A Type B) (Nom)	Number Of Lamps	Lamp Type
913700684766	HF-Ri TD 1 26-42 PL-T/C E	28	1 piece/unit	PL-T/C
+				

Order Code	Full Product Name	Number Of Products On		
		MCB (16A Type B) (Nom)	Number Of Lamps	Lamp Type
913700684866	HF-Ri TD 2 26-42 PL-T/C E	12	2 piece/unit	PL-T/C
+				

HF-Regulator Intelligent Touch DALI for PL-T/C and TL5C

Order Code	Full Product Name	Number Of Products On		
		MCB (16A Type B) (Nom)	Number Of Lamps	Lamp Type
913700761866	HF-Ri TD 155 TL5C E+ 195-240V 50/60Hz	12	1 piece/unit	TL5C

Order Code	Full Product Name	Number Of Products On		
		MCB (16A Type B) (Nom)	Number Of Lamps	Lamp Type
913700761966	HF-Ri TD 160 TL5C E+ 195-240V 50/60Hz	12	1 piece/unit	TL5C

System characteristics

Order Code	Full Product Name	Lamp	Lamp	Lamp	Rated
		Power On PL-T	Power On PL-T/C	Power On TL5C	Ballast-Lamp Power
913700684766	HF-Ri TD 1 26-42 PL-T/C E+	31/41 W	25 W	23/38.5 W	26-42 W
913700684866	HF-Ri TD 2 26-42 PL-T/C E+	62/82 W	50 W	46/77/61 W	26-42 W

Order Code	Full Product Name	Lamp	Lamp	Lamp	Rated
		Power On PL-T	Power On PL-T/C	Power On TL5C	Ballast-Lamp Power
913700761866	HF-Ri TD 155 TL5C E+ 195-240V 50/60Hz	-	-	60.5 W	55 W
913700761966	HF-Ri TD 160 TL5C E+ + 195-240V 50/60Hz	-	-	60 W	60 W

