



# HF-Regulator II for PL-L lamps – Dimming: a next step in energy saving

## HF-Regulator II for PL-L lamps

High-frequency electronic dimming ballast, using the analog protocol (1-10 V) for PL-L lamps. The ballast is primarily designed for Indoor application. For outdoor application, the luminaire should be minimum Class II and need to be sufficiently protected against water & dust. The installation should also be guard against any lightning surge or any other necessary electrical protection as deemed in such typical installation & application.

### Benefits

- The lamp power can be dimmed from 1 to 100% via the Analog control input (in accordance with the 1-10 V industry standard)
- Compliant with European and Asian norms and suitable for emergency lighting systems
- HF operation improves light quality, lamp lifetime
- Combined with controls, additional energy savings can be achieved

### Features

- Programmed start: flicker-free ignition < 0.5 seconds and striation-free operation, no stroboscopic effects. Preheating the lamp electrodes enables the lamps to be switched on and off without reducing life
- Smart power ensures constant light, independent of mains fluctuations
- Up to 60% reduction in energy consumption by using automatic lighting control systems
- Stop circuit is activated within 5 seconds in the event of lamp failure (safety stop), and ballast resets automatically after lamp replacement

# HF-Regulator II for PL-L lamps

## Application

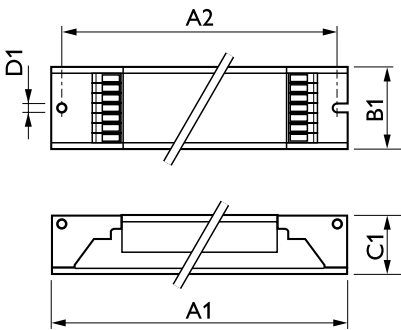
- Indoor, general and task lighting applications in combination with lighting control systems (personal control, daylight linking and/or movement detection)

## Versions



HF-R Analog 180 TL5/PLL  
220-240V 50/60Hz

## Dimensional drawing



Product	D1	C1	A1	A2	B1
HF-R 280 TL5/PL-L EII 220-240V 50/60Hz	4.2 mm	22 mm	425 mm	415 mm	30 mm
HF-R 424 TL5/PL-L EII 220-240V 50/60Hz	4.2 mm	22 mm	359 mm	350 mm	39 mm
HF-R 180 TL5/PL-L EII 220-240V 50/60Hz	4.2 mm	22 mm	360 mm	350 mm	30 mm

### Approval and Application

Energy Efficiency Index A1 BAT

### Operating and Electrical

Input Frequency 50 to 60 Hz

Input Voltage 220 to 240 V

### General Information

Lamp Type TL5/PL-L

## General Information

Order Code	Full Product Name	Number Of Products On MCB (16A Type B) (Nom)	Number Of Lamps
913700609066	HF-R 180 TL5/PL-L EII 220-240V 50/60Hz	12	1 piece/unit
913700609166	HF-R 280 TL5/PL-L EII 220-240V 50/60Hz	9	2 piece/unit

Order Code	Full Product Name	Number Of Products On MCB (16A Type B) (Nom)	Number Of Lamps
913700614866	HF-R 424 TL5/PL-L EII 220-240V 50/60Hz	12	4 piece/unit

## Mechanical and Housing

## HF-Regulator II for PL-L lamps

Order Code	Full Product Name	Housing
913700609066	HF-R 180 TL5/PL-L EII 220-240V 50/60Hz	L 360x30x21
913700609166	HF-R 280 TL5/PL-L EII 220-240V 50/60Hz	L 425x30x21

Order Code	Full Product Name	Housing
913700614866	HF-R 424 TL5/PL-L EII 220-240V 50/60Hz	L 359x39x22

### System characteristics

Order Code	Full Product Name	Rated Ballast-Lamp	
		Power	
913700609066	HF-R 180 TL5/PL-L EII 220-240V 50/60Hz	80 W	
913700609166	HF-R 280 TL5/PL-L EII 220-240V 50/60Hz	80 W	

Order Code	Full Product Name	Rated Ballast-Lamp	
		Power	
913700614866	HF-R 424 TL5/PL-L EII 220-240V 50/60Hz	24 W	

