

For flexibility in luminaire design and stock-keeping management

HF-Performer Intelligent for TL5 HE/HO lamps

HF-Performer Intelligent for Master and ECO TL5 HE/HO, TL-D and PL-L lamps HF-Performer Intelligent features automatic recognition of the connected lamp and is independently able to adjust its operation parameters exactly to the respective lamp. This results in a substantial benefit, especially for T5 lamps, as it means TL5 HE and HO lamps of the same length can be interchanged. With a choice of seven ballasts, the customer is able to handle efficiently every possible combination of Master TL5 and Eco, TL-D, and PL-L lamps. The ballast is primarily designed for Indoor application. For outdoor application, the luminaire should be minimum Class II and need to be sufficiently protected against water & dust. The installation should also be guarded against any lightning surge or any other necessary electrical protection as deemed in such typical installation & application.

Benefits

- Maximum reliability in system operation, and flexibility for designers, operators and facility managers in terms of stock-keeping management
- Multi-power technology for precise operation of multiple lamp types of various wattages
- Optimized for high maintenance efficiency and reliability: 5-year warranty

HF-Performer Intelligent for TL5 HE/HO lamps

Features

- Highest CELMA Energy Efficiency Index A2 BAT
- Complies with CE, ENEC, EL, VDE-EMC, CCC marks of conformity
- Average nominal service lifetime over 100,000 hours (at Ta 50 °C) with a failure rate $\leq 0.1\%$ per 1,000 hours
- Optimized lamp preheating for a minimum of 50,000 On/Off switch operations without lamp replacement

Application

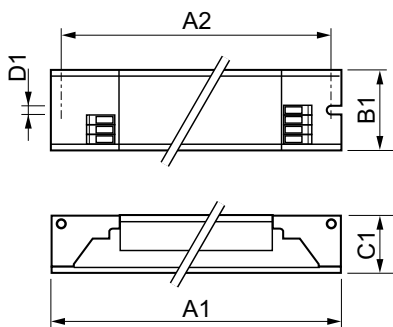
- Suitable for DC operation and emergency lighting installations; full compliance with requirements for emergency lighting according to EN 61347-2-3-annex J
- Extended lamp life in frequent-switching applications, e.g. where occupancy sensors or motion detectors are used
- For luminaires of protection class I and protection class II used in office buildings, hospitals, supermarkets, department stores, industrial premises and schools

Versions



HF-Pi 114/21/24/39 TL5 EII 220-240V

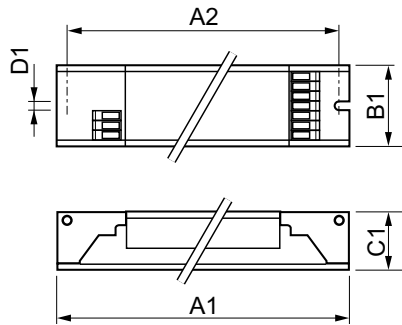
Dimensional drawing



Product	D1	C1	A1	A2	B1
HF-Pi 114/21/24/39 TL5 EII 220-240V	4.2 mm	22 mm	360 mm	350 mm	30 mm
HF-Pi 128/35/49/54 TL5 EII 220-240V	4.2 mm	22 mm	360 mm	350 mm	30 mm
HF-Pi 128/35/49/80 TL5 EII	4.2 mm	22 mm	360 mm	350 mm	30 mm

HF-Performer Intelligent for TL5 HE/HO lamps

Dimensional drawing



Δ 2

Product	D1	C1	A1	A2	B1
HF-Pi 2 14/21/24/39 TL5 EII 220-240V	4.2 mm	22 mm	360 mm	350 mm	30 mm
HF-Pi 2 28/35/49/54 TL5 EII 220-240V	4.2 mm	22 mm	360 mm	350 mm	30 mm
HF-Pi 2 28/35/49/80 TL5 EII	4.2 mm	22 mm	425 mm	415 mm	30 mm

Product	D1	C1	A1	A2	B1
HF-Pi 3/4 14/24 TL5/PL-L EII 220-240V	4.2 mm	22 mm	360 mm	350 mm	30 mm

Approval and Application

Energy Efficiency Index A2 BAT

Operating and Electrical

Input Frequency 50 to 60 Hz

Input Voltage 220 to 240 V

Emergency Operation

Emergency Ballast Lumen Factor (EBLF) (Nom) 100 %

General Information

Order Code	Full Product Name	Number Of Products On MCB (16A Type B)		
		(Nom)	Number Of Lamps	Lamp Type
913700624066	HF-Pi 1 14/21/24/39 TL5 EII 220-240V	18	1 piece/unit	TL5
913700624166	HF-Pi 1 28/35/49/54 TL5 EII 220-240V	18	1 piece/unit	TL5
913700624266	HF-Pi 2 14/21/24/39 TL5 EII 220-240V	12	2 piece/unit	TL5

Order Code	Full Product Name	Number Of Products On MCB (16A Type B)		
		(Nom)	Number Of Lamps	Lamp Type
913700624366	HF-Pi 2 28/35/49/54 TL5 EII 220-240V	12	2 piece/unit	TL5
913700652566	HF-Pi 1 28/35/49/80 TL5 EII	12	1 piece/unit	TL5
913700652666	HF-Pi 2 28/35/49/80 TL5 EII	8	2 piece/unit	TL5
913700657666	HF-Pi 3/4 14/24 TL5/PL-L EII 220-240V	12	3/4 piece/unit	TL5/PL-L

Mechanical and Housing

HF-Performer Intelligent for TL5 HE/HO lamps

Order Code	Full Product Name	Housing
913700624066	HF-Pi 1 14/21/24/39 TL5 EII 220-240V	L360x30x22
913700624166	HF-Pi 1 28/35/49/54 TL5 EII 220-240V	L360x30x22
913700624266	HF-Pi 2 14/21/24/39 TL5 EII 220-240V	L360x30x22
913700624366	HF-Pi 2 28/35/49/54 TL5 EII 220-240V	L360x30x22

Order Code	Full Product Name	Housing
913700652566	HF-Pi 1 28/35/49/80 TL5 EII	L360x30x22
913700652666	HF-Pi 2 28/35/49/80 TL5 EII	L 425x30x22
913700657666	HF-Pi 3/4 14/24 TL5/PL-L EII 220-240V	L360x30x22

System characteristics

Order Code	Full Product Name	Lamp Power On TL5	Lamp Power		Rated Ballast-Lamp Power
			On TL5 HE	On TL5 HO	
913700624066	HF-Pi 1 14/21/24/39 TL5 EII 220-240V	-	14.7/21.2 W	24.3/37.5 W	14-39 W
913700624166	HF-Pi 1 28/35/49/54 TL5 EII 220-240V	30.9/39.8/52.6/57.8 W	-	-	28-54 W
913700624266	HF-Pi 2 14/21/24/39 TL5 EII 220-240V	-	28.6/42.8 W	46.8/71.2 W	14-39 W
913700624366	HF-Pi 2 28/35/49/54 TL5 EII 220-240V	27.5/34.4/45.6/48.4 W	-	-	28-54 W

Order Code	Full Product Name	Lamp Power On TL5	Lamp Power		Rated Ballast-Lamp Power
			On TL5 HE	On TL5 HO	
913700652566	HF-Pi 1 28/35/49/80 TL5 EII	30.7/38.7/50.2/84 W	-	-	28/35/49/80 W
913700652666	HF-Pi 2 28/35/49/80 TL5 EII	29/36.2/49.4/83.7 W	-	-	28/35/49/80 W
913700657666	HF-Pi 3/4 14/24 TL5/PL-L EII 220-240V	-	57.5/44 W	91.5/71.3 W	14/24 W

