



HF-Essential for TL5/TL-D

HF-Essential for TL5/TL-D

Essentially smart and reliable. HF-Essential is the most cost-effective, slim and affordable ballast to reliably operate a fluorescent lamp. It is also the ideal entry-level product for EM system users who want to enjoy the benefits offered by electronic ballasts. The cost-saving and reliable HF-Essential has an energy efficiency class A2, and its robust design meets all relevant international safety and performance standards. HF-Essential is intended for use with indoor lighting fixtures such as recessed luminaires, which are largely used in office, industrial, hotel, restaurant and other applications. The ballast is primarily designed for Indoor application. For outdoor application, the luminaire should be minimum Classland need to be sufficiently protected against water & dust. The installation should also be guard against any lightening surge or any other necessary electrical protection as deemed in such typical installation & application.

Benefits

- Automatic restart (after voltage dip or lamp replacement) ensures easy operation and hassle-free re-lamping
- DC emergency operation and EMC compliant to EN 55015 2006 + A1 2007
- Suitable for luminaires in protection class I and, after testing, class II

Features

- Complies with CE and Kema
- Robust design for 45,000 hours lifetime at $T_a=50\text{ }^\circ\text{C}$ and over 6,000 on/off switching operations on one lamp
- Energy efficiency class: A2
- Failure rate of 0.3% per 1,000 hours at $T_c \text{ max} = 75\text{ }^\circ\text{C}$
- Igniter and capacitor not required; flicker-free and noiseless

HF-Essential for TL5/TL-D

Application

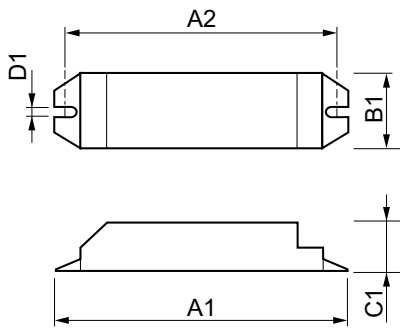
- Ideal for applications where there is a need to reduce the wattage per square meter or to reduce operating costs
- Indoor applications such as office buildings, hospitals, supermarkets, department stores, homes and schools

Versions



HF-E 118 TL-D 220-240 50/60Hz

Dimensional drawing



Product	D1	C1	A1	A2	B1
HF-E 118 TL-D 220-240 50/60Hz	4.2 mm	28.0 mm	150.0 mm	136.0 mm	40.0 mm
HF-E 136 TL-D 220-240 50/60Hz	4.2 mm	28.0 mm	150.0 mm	136.0 mm	40.0 mm
HF-E 236 TL-D 220-240 50/60Hz	4.2 mm	30.0 mm	211.0 mm	197.0 mm	40.0 mm
HF-E 418 TL-D 220-240 50/60Hz	4.2 mm	30.0 mm	211.0 mm	197.0 mm	40.0 mm

Approval and application

Energy Efficiency Index A2

Operating and electrical

Input Frequency 50 to 60 Hz
Input Voltage 220 to 240 V

General information

Lamp Type TL-D

General information

Order Code	Full Product Name	Number Of Lamps	Order Code	Full Product Name	Number Of Lamps
913713038766	HF-E 118 TL-D 220-240 50/60Hz	1 piece/unit	913713039166	HF-E 236 TL-D 220-240 50/60Hz	2 piece/unit
913713038866	HF-E 136 TL-D 220-240 50/60Hz	1 piece/unit	913713039266	HF-E 418 TL-D 220-240 50/60Hz	4 piece/unit

HF-Essential for TL5/TL-D

Mechanical and housing

Order Code	Full Product Name	Housing
913713038766	HF-E 118 TL-D 220-240 50/60Hz	L 150x40x28
913713038866	HF-E 136 TL-D 220-240 50/60Hz	L 150x40x28

Order Code	Full Product Name	Housing
913713039166	HF-E 236 TL-D 220-240 50/60Hz	L211x40x30
913713039266	HF-E 418 TL-D 220-240 50/60Hz	L211x40x30

System characteristics

Order Code	Full Product Name	Rated Ballast-	
		Lamp Power On TL-D	Lamp Power
913713038766	HF-E 118 TL-D 220-240 50/60Hz	14.4/15.1/15.7 W	18 W
913713038866	HF-E 136 TL-D 220-240 50/60Hz	30.7/32.7/35.1 W	36 W

Order Code	Full Product Name	Rated Ballast-	
		Lamp Power On TL-D	Lamp Power
913713039166	HF-E 236 TL-D 220-240 50/60Hz	28/29.8/31.6 W	36 W
913713039266	HF-E 418 TL-D 220-240 50/60Hz	15.1/15.7/15.7 W	18 W

