



# Philips Twistline GU10

## Twistline GU10

Bright, white accent light with superior energy savings. Philips Twistline GU10 Philips Halogen Twistline MR16 with GU10 base provide bright white accent light. The twist and lock base enables easy installation and a secure fit. Suited for track and recessed lighting applications.

### Benefits

- Easy to install and maintain a secure fit.
- Highlight art and featured objects for decorative accent.

### Features

- Bright, white light.
- Easy to use twist and lock base.
- Available in a variety of wattages operating on 120 volts.
- Available in 25,35 and 50 Watts.

### Application

- Ideal for indoor recessed and track fixtures, floor and desk lamps.

### Versions



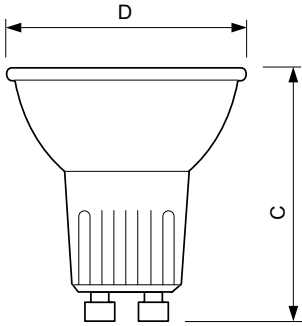
LPPR HTWIST 0001



LPPR HTWIST 0002

# Twistline GU10

## Dimensional drawing



Product	D (max)	C (max)
BC25 TWISTLINE GU10 / FL25	50.7 mm	53 mm
BC35 TWISTLINE GU10/FL25 TP	50.7 mm	53 mm
BC50GU10/HAL/TL 120V 6/3	51 mm	53 mm

### General Information

Cap-Base	GU10
Rated Lifetime (Hours)	2,000 hour(s)
Nominal lifetime	2,000 hour(s)
Operating Position	UNIVERSAL

### Light Technical

Correlated Color Temperature (Nom)	2800 K
Color rendering index (CRI)	100

### Operating and Electrical

Voltage (Nom)	120 V
Starting Time (Nom)	0.0 s

### Controls and Dimming

Dimmable	Yes
----------	-----

### Mechanical and Housing

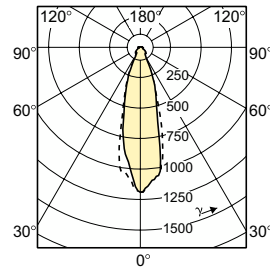
Bulb Finish	Clear
Bulb Shape	MR16

### Light Technical

Order Code	Full Product Name	Beam Angle (Nom)
924887736301	BC25 TWISTLINE GU10 / FL25	25 degree(s)
924887136384	BC35 TWISTLINE GU10/FL25 TP	20 degree(s)
925691836309	BC50GU10/HAL/TL 120V 6/3	25 degree(s)

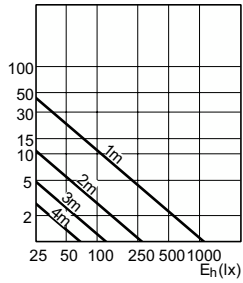
## Operating and Electrical

Order Code	Full Product Name	Power Consumption
924887736301	BC25 TWISTLINE GU10 / FL25	25 W
924887136384	BC35 TWISTLINE GU10/FL25 TP	35 W
925691836309	BC50GU10/HAL/TL 120V 6/3	50 W



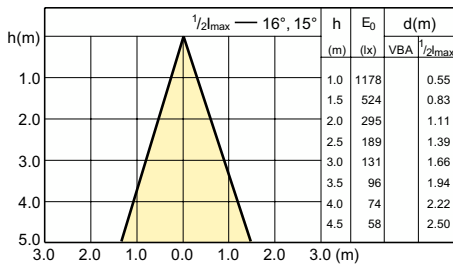
# Twistline GU10

## Accent Diagrams



Accent Diagram - BC50GU10/HAL/TL 120V 6/3

## Beam Diagrams



Beam diagram - BC50GU10/HAL/TL 120V 6/3

