

Long-lasting, reliable solution

HID-HeavyDuty BSX for SOX

Encapsulated electromagnetic copper/iron ballasts for SOX and SOX-E lamps

Benefits

- Excellent resistance to chemical impact, humid conditions and environmental stress crack
- Long-lasting reliable solution – outstanding product lifetime of 15 years average
- Minimal watt losses thanks to orthocyclic winding process
- Control gear can be installed remotely

Features

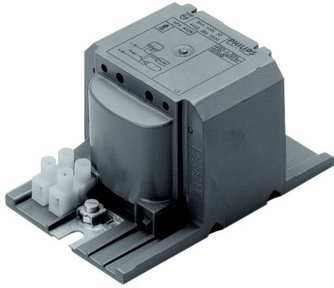
- Encapsulated with thermoplastic polyester resin, reinforced with glass fiber
- Equipped with screw terminal blocks as standard; insert contacts available upon request
- Ballasts for alternative mains voltages/frequencies available upon request
- Separate earth terminal (HID 'Heavy Duty')

Application

- Outdoor lighting

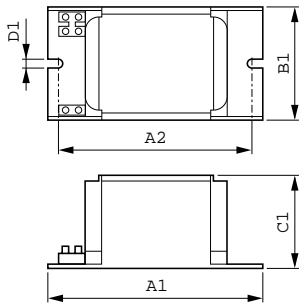
HID-HeavyDuty BSX for SOX

Versions



BSX 90 L40 230V 50Hz

Dimensional drawing



Product	D1	C1	A1	A2	B1
BSX 90 L40 230V 50Hz	6.2 mm	53.0 mm	118.0 mm	103.0 mm	65.0 mm
HD1-118					

