



Long-lasting, reliable solution

HID-HeavyDuty BHL for HPL/HPI

Encapsulated electromagnetic copper/iron ballasts for HPL, HPI (Plus) and SON-H lamps

Benefits

- Excellent resistance to chemical impact, humid conditions and environmental stress crack
- Long-lasting reliable solution – outstanding product lifetime of 15 years average
- Minimal watt losses thanks to orthocyclic winding process
- Control gear can be installed remotely

Features

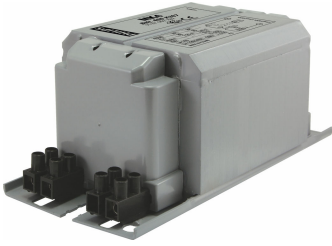
- Encapsulated with thermoplastic polyester resin, reinforced with glass fiber
- Ballasts designed for mercury lamps (HPL) without using an ignitor can also be used with HPI lamps together with an ignitor
- Equipped with screw terminal blocks as standard; insert contacts available upon request
- Ballasts for alternative mains voltages/frequencies available upon request
- Separate earth terminal (HID 'Heavy Duty')

Application

- Outdoor lighting

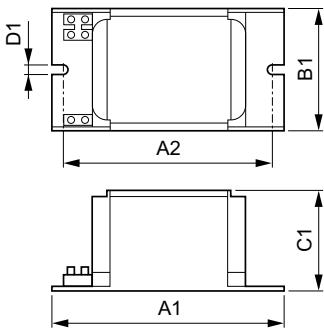
HID-HeavyDuty BHL for HPL/HPI

Versions



BHL 125 L40 230V 50Hz

Dimensional drawing



Product	D1	C1	A1	A2	B1
BHL 250 L40-A2 230V 50Hz HD2-126	6.2 mm	66.0 mm	126.0 mm	107.5 mm	81.0 mm
BHL 400 L40-A2 230V 50Hz HD2-151	6.2 mm	66.0 mm	151.0 mm	132.5 mm	81.0 mm

Operating and Electrical

Input Frequency	50 Hz
Input Voltage	230 V

General Information

Number Of Lamps	1 piece/unit
Lamp Type	HPL/HPI

System characteristics

Order Code	Full Product Name	Rated Ballast-Lamp Power
913603920426	BHL 250 L40-A2 230V 50Hz HD2-126	250 W

Order Code	Full Product Name	Rated Ballast-Lamp Power
913604920426	BHL 400 L40-A2 230V 50Hz HD2-151	400 W

HID-HeavyDuty BHL for HPL/HPI

