



Philips GrandeVille LED: a design classic for any urban application

GrandeVille LED

Today's customers want luminaires that provide both energy efficiency and a visually-comfortable light effect. Philips GrandeVille LED luminaires offer the perfect combination of functional and aesthetical characteristics. A classic design, clean lines and robust materials make this LED lighting ideal for all urban settings. The luminaire is well shielded and delivers clear white light, creating a pleasant ambience at the same time as enabling good energy savings. GrandeVille LED luminaires (BPS962) are suitable for mounting on poles or wall brackets. They are also available with a choice of rotation-symmetric light distribution or asymmetric light distribution, which prevents undesired spill light from this classic street lighting. A cover is available in gray or white, which must be ordered separately.

Benefits

- Classic design – clean lines fit any urban setting
- Excellent visual comfort
- Energy-efficient LED technology

Features

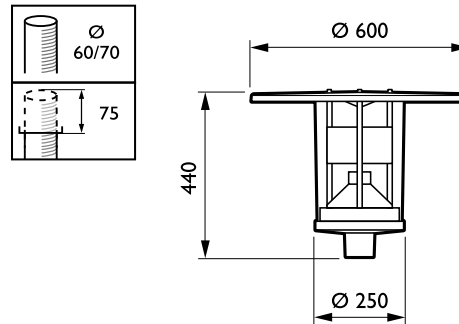
- Robust materials (IK10)
- Comfortable white light: 830 or 840
- Several optical elements
- Fits on top of 60 mm poles
- Delivered with a 4-meter cable
- 5-year standard warranty

GrandeVille LED

Application

- Residential streets, minor roads, parking areas
- Foot and cycle paths, parks

Dimensional drawing



General Information	
CE mark	Yes
Driver included	Yes
Flammability mark	-
Light source replaceable	Yes
Number of gear units	1 unit
Product family code	BPS962
Light Technical	
Luminaire light beam spread	-
Optical cover/lens type	Polycarbonate bowl/cover
Color rendering index (CRI)	>80
Standard tilt angle side entry	0°
Standard tilt angle posttop	0°
Controls and Dimming	
Dimmable	Yes
Mechanical and Housing	
Housing Color	Gray
Approval and Application	
Mech. impact protection code	IK10
Ingress protection code	IP65
Surge Protection (Common/Differential)	Philips standard surge protection level
Application Conditions	
Maximum dim level	Not applicable

General Information

Order Code	Full Product Name	Lamp family code
919008630298	BPS962 LED45/830 II LO CLO-DDF6 C4K	GRN45
919008630301	BPS962 LED29/830 DF CLO-DDF6 C4K	GRN29
919008630302	BPS962 LED34/840 DF CLO-DDF6 C4K	GRN34
919008630303	BPS962 LED29/830 LO CLO-DDF6 C4K	GRN29
919008630304	BPS962 LED34/840 LO CLO-DDF6 C4K	GRN34
919008630305	BPS962 LED29/830 LO-O CLO-DDF6 C4K	GRN29
919008630306	BPS962 LED34/840 LO-O CLO-DDF6 C4K	GRN34
919008630324	BPS962 LED49/840 LO CLO-DDF6 C4K	GRN49
919008630457	BPS962 LED49/840 LO-O CLO-DDF6 C4K	GRN49
919008630771	BPS962 LED45/830 LO-O CLO-DDF6 C4K	GRN45
919008630817	BPS962 LED34/840 A DF CLO-DDF6 C4K	GRN34
919008630819	BPS962 LED49/840 A DF CLO-DDF6 C4K	GRN49
919008630821	BPS962 LED29/830 A DF CLO-DDF6 C4K	GRN29
919008630823	BPS962 LED45/830 A DF CLO-DDF6 C4K	GRN45
919008630825	BPS962 LED49/840 DF CLO-DDF6 C4K	GRN49

Light Technical (1/2)

GrandeVille LED

Order Code	Full Product Name	Light source color	Correlated Color		Number of light sources
			Temperature (Nom)	Luminous Flux	
919008630298	BPS962 LED45/830 II LO CLO-DDF6 C4K	830 warm white	3000 K	1,842 lumen	1
919008630301	BPS962 LED29/830 DF CLO-DDF6 C4K	830 warm white	3000 K	1,380 lumen	1
919008630302	BPS962 LED34/840 DF CLO-DDF6 C4K	840 neutral white	4000 K	1,587 lumen	1
919008630303	BPS962 LED29/830 LO CLO-DDF6 C4K	830 warm white	3000 K	1,225 lumen	1
919008630304	BPS962 LED34/840 LO CLO-DDF6 C4K	840 neutral white	4000 K	1,409 lumen	1
919008630305	BPS962 LED29/830 LO-O CLO-DDF6 C4K	830 warm white	3000 K	1,414 lumen	1
919008630306	BPS962 LED34/840 LO-O CLO-DDF6 C4K	840 neutral white	4000 K	1,626 lumen	1
919008630324	BPS962 LED49/840 LO CLO-DDF6 C4K	840 neutral white	4000 K	1,984 lumen	1

Order Code	Full Product Name	Light source color	Correlated Color		Number of light sources
			Temperature (Nom)	Luminous Flux	
919008630457	BPS962 LED49/840 LO-O CLO-DDF6 C4K	840 neutral white	4000 K	2,290 lumen	1
919008630771	BPS962 LED45/830 LO-O CLO-DDF6 C4K	830 warm white	3000 K	2,126 lumen	1
919008630817	BPS962 LED34/840 A DF CLO-DDF6 C4K	840 neutral white	4000 K	1,429 lumen	-
919008630819	BPS962 LED49/840 A DF CLO-DDF6 C4K	840 neutral white	4000 K	2,012 lumen	-
919008630821	BPS962 LED29/830 A DF CLO-DDF6 C4K	830 warm white	3000 K	1,242 lumen	-
919008630823	BPS962 LED45/830 A DF CLO-DDF6 C4K	830 warm white	3000 K	1,868 lumen	-
919008630825	BPS962 LED49/840 DF CLO-DDF6 C4K	840 neutral white	4000 K	2,235 lumen	1

Light Technical (2/2)

Order Code	Full Product Name	Optic type outdoor	Upward light output ratio
919008630298	BPS962 LED45/830 II LO CLO-DDF6 C4K	Symmetrical	0.15
919008630301	BPS962 LED29/830 DF CLO-DDF6 C4K	Symmetrical	0.21
919008630302	BPS962 LED34/840 DF CLO-DDF6 C4K	Symmetrical	0.21
919008630303	BPS962 LED29/830 LO CLO-DDF6 C4K	Symmetrical	0.15
919008630304	BPS962 LED34/840 LO CLO-DDF6 C4K	Symmetrical	0.15
919008630305	BPS962 LED29/830 LO-O CLO-DDF6 C4K	Symmetrical	0.25
919008630306	BPS962 LED34/840 LO-O CLO-DDF6 C4K	Symmetrical	0.25
919008630324	BPS962 LED49/840 LO CLO-DDF6 C4K	Symmetrical	0.15

Order Code	Full Product Name	Optic type outdoor	Upward light output ratio
919008630457	BPS962 LED49/840 LO-O CLO-DDF6 C4K	Symmetrical	0.25
919008630771	BPS962 LED45/830 LO-O CLO-DDF6 C4K	Symmetrical	0.25
919008630817	BPS962 LED34/840 A DF CLO-DDF6 C4K	Asymmetrical	0.2
919008630819	BPS962 LED49/840 A DF CLO-DDF6 C4K	Asymmetrical	0.2
919008630821	BPS962 LED29/830 A DF CLO-DDF6 C4K	Asymmetrical	0.2
919008630823	BPS962 LED45/830 A DF CLO-DDF6 C4K	Asymmetrical	0.2
919008630825	BPS962 LED49/840 DF CLO-DDF6 C4K	Symmetrical	0.21

Operating and Electrical

GrandeVille LED

Order Code	Full Product Name	Power Consumption
919008630298	BPS962 LED45/830 II LO CLO-DDF6 C4K	29.2 W
919008630301	BPS962 LED29/830 DF CLO-DDF6 C4K	18.4 W
919008630302	BPS962 LED34/840 DF CLO-DDF6 C4K	20.9 W
919008630303	BPS962 LED29/830 LO CLO-DDF6 C4K	18.4 W
919008630304	BPS962 LED34/840 LO CLO-DDF6 C4K	20.9 W
919008630305	BPS962 LED29/830 LO-O CLO-DDF6 C4K	18.4 W
919008630306	BPS962 LED34/840 LO-O CLO-DDF6 C4K	20.9 W
919008630324	BPS962 LED49/840 LO CLO-DDF6 C4K	30.6 W

Order Code	Full Product Name	Power Consumption
919008630457	BPS962 LED49/840 LO-O CLO-DDF6 C4K	30.6 W
919008630771	BPS962 LED45/830 LO-O CLO-DDF6 C4K	29.2 W
919008630817	BPS962 LED34/840 A DF CLO-DDF6 C4K	20.9 W
919008630819	BPS962 LED49/840 A DF CLO-DDF6 C4K	30.6 W
919008630821	BPS962 LED29/830 A DF CLO-DDF6 C4K	18.4 W
919008630823	BPS962 LED45/830 A DF CLO-DDF6 C4K	29.2 W
919008630825	BPS962 LED49/840 DF CLO-DDF6 C4K	30.6 W

