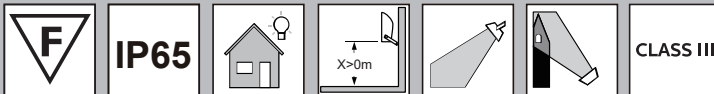
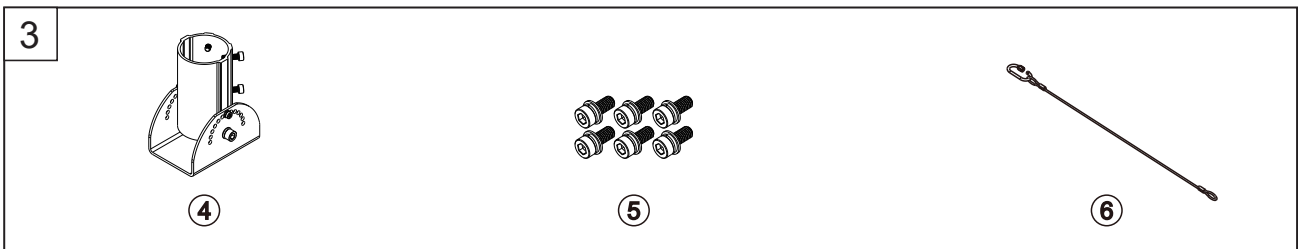
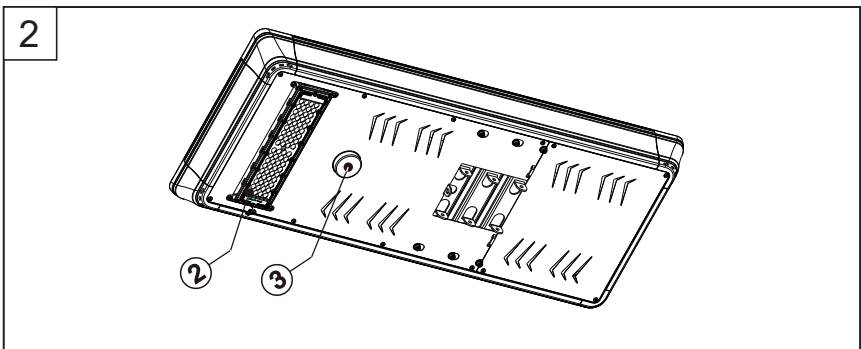
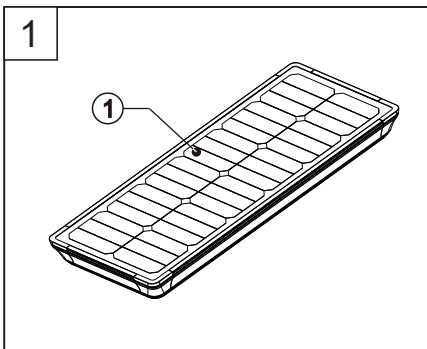
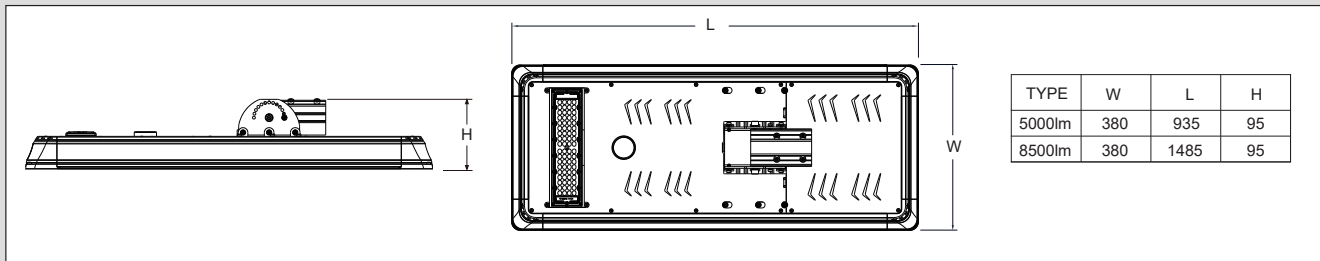


# SmartBright Solar All-in-One Street Light Mounting instruction



Type Number	Flux(lm)	Battery type	Battery parameter	Solar board type	PV power	Solar board voltage	Remote type	Remote distance	CCT	Ta
BRP110 LED50/757	5000lm	LiFeO4 battery	24Ah/12.8V	MONO	50W	18V	infrared	6-10m	5700K	-10-60°C
BRP110 LED85/757	8500lm	LiFeO4 battery	42Ah/12.8V	MONO	90W	18V	infrared	6-10m	5700K	-10-60°C

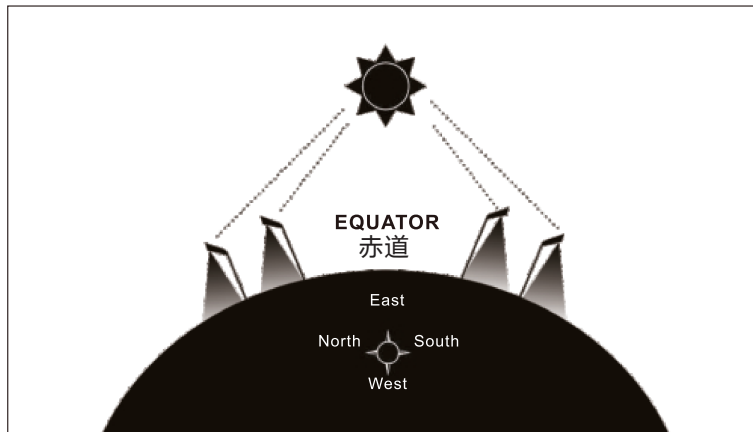


NO	Name	Description
①	Solar panel	Converting solar energy into electricity
②	LED source	Luminous component
③	Microwave sensor	Detecting object moment
④	Light arm	Fix the solar panel
⑤	Screws (M6x16mm)	Fix the light arm
⑥	Safety rope	Prevent lamps from falling

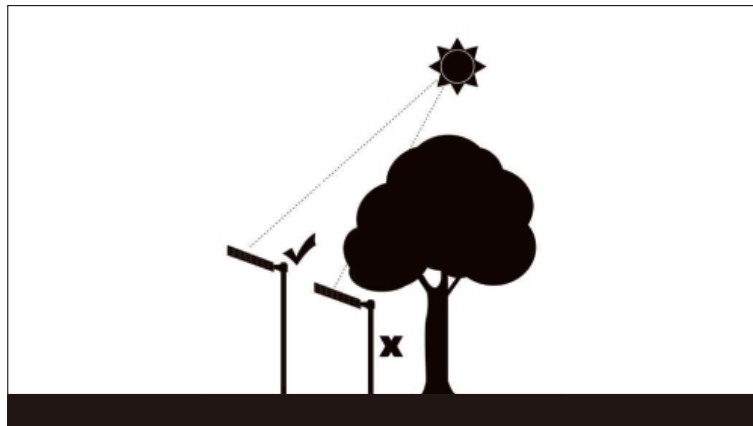
# PHILIPS

## Installation instructions

1. Please choose the appropriate product according to the light intensity and working hours of the installation location. If you are in the northern hemisphere the solar panel should face south when installing the solar street lamp: you are in the southern hemisphere, the solar panel should face north.



2. In order to improve the efficiency of solar panels, please ensure that the sunlight is not blocked by buildings or trees.

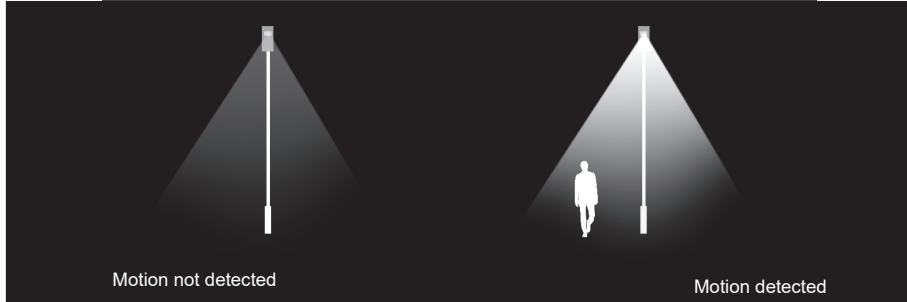


## Notes

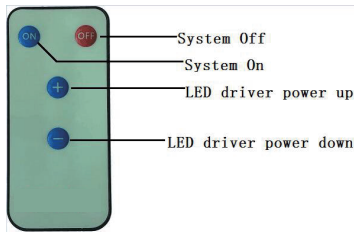
1. Please choose the appropriate product according to the sunshine intensity or the total annual solar radiation at the installation site.
2. Charge and discharge requirements: charging temperature of 0-45 °C, discharge temperature of -10-60 °C.
3. This product can withstand a class 12 typhoon, and storms above class 12 may damage to the product.
4. The protection grade of this product is IP65, which is suitable for outdoor lighting, but can not be soaked in water.
5. The solar panel is fragile, do not scratch, knock against the installation, table scratch, dirty, shelter will affect the solar panel power generation efficiency.
6. The product contains lithium battery, please comply with the air transport regulations when shipping, should be regarded as flammable and explosive items, storage should be isolated from other items, so as to avoid damage.
7. The longest storage period of solar street lamps is six months after they are fully charged. If they are transported or stored for a long time, they need to be checked, charged and charged in time, record, otherwise the battery will be damaged.
8. Product storage temperature is -10 °C to 60 °C

## Product factory default bright light mode

Work time	Motion detected (%)	Motion not detected (%)
2h	100%	30%
3h	60%	20%
6h	30%	10%
1h	50%	30%



## Remote control function Introduction



**System off button :** Press this button, the controller enters the sleep state

**System on button:** Press this button, the controller enters the work state

**Up button:** Press this button, led light drive power will increase to the maximum power  
maximum power : Maximum power adjusted by the controller

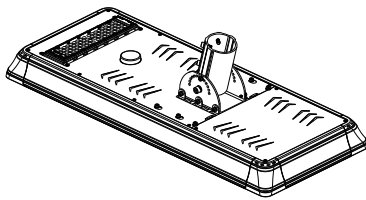
**Down button:** Press this button, led light drive power will decrease to the minimum power  
minimum power: led light drive power less than 1Watt

**Up button and Down button :** only be used for demonstration purposes. After the presentation, it will automatically resume after 5 minutes

## Installation Manual

Note: Please use the remote control delivered by our company before installation, start the test if the test ok and then install.

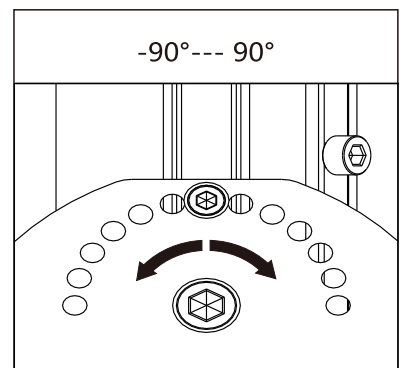
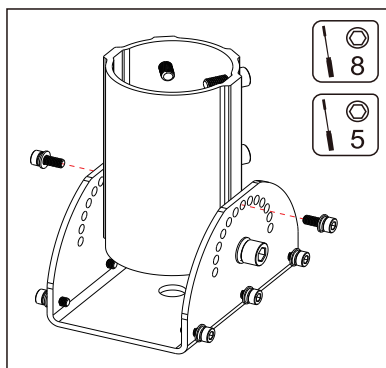
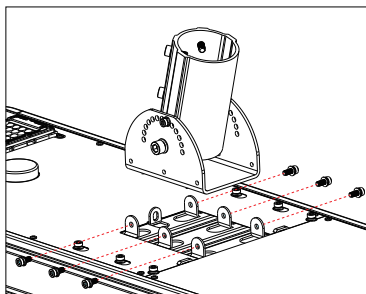
### ① Angle adjustment



Lamp arm angle adjustment instructions

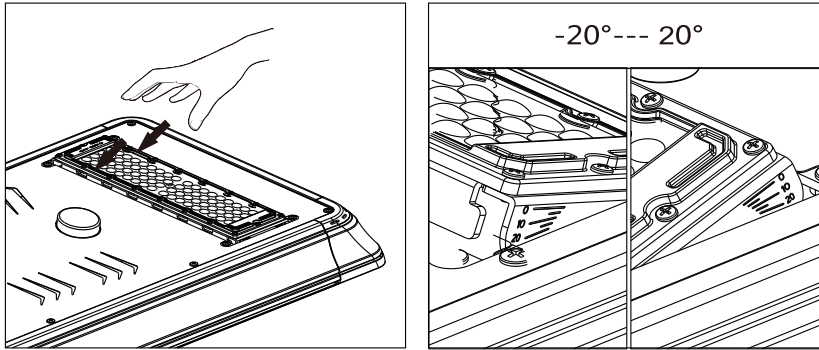
1. loosen the M10 hexagon screws on both sides by using an 8# hexagon screwdriver.
2. Loosen the M6 hexagon socket screws on both sides with a 5# hexagon socket screwdriver.
3. Adjust the angle (the Angle of the adjacent two screw holes is 15°.
4. Screw down and reset.

Lamp arm installation diagram



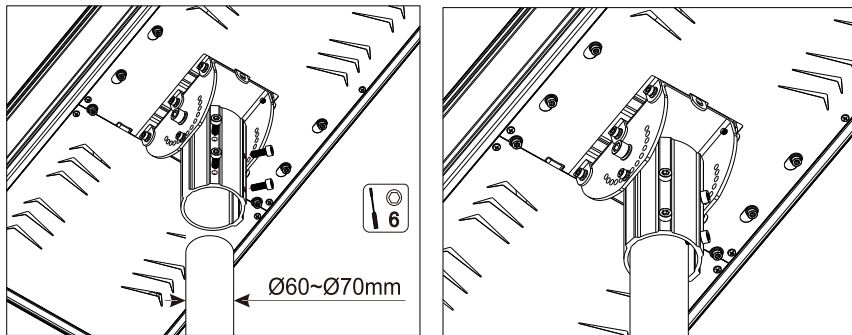
### Light source Angle adjustment instructions

Press the two sides of the LED light module by hand, you can see the side dial, and adjust it to the Angle you need.



### ② Lamp body installation instructions /

1. Loosen 4 M8 hexagon socket screws with a 6# hexagon socket screwdriver.
2. Install the lamp arm into the lamppost.
3. Screw down and reset.



### ③ Safety rope installation diagram

