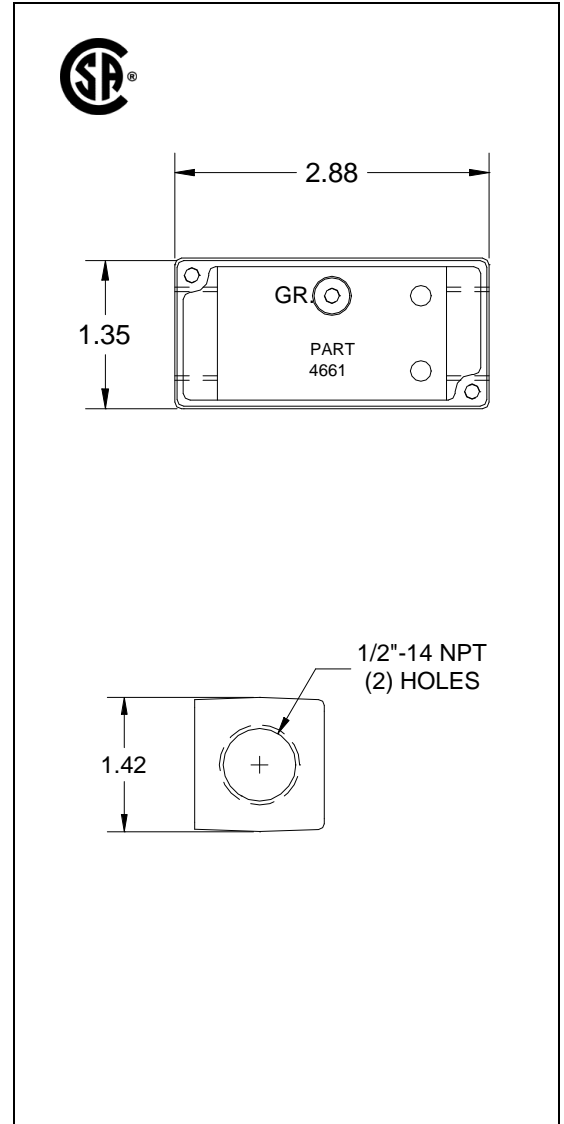


CSA Certified

SPECIFICATIONS:

- Junior Junction Box is used for lamp holders at the end of a run.
- Constructed of 1/8 " die cast aluminum.
- It contains (2) 1/2" –14 NPT entry holes.
- An aluminum cover is supplied in a bag part.



PROJECT: _____

TYPE: _____ CATALOGUE NUMBER: _____