



Express your creativity...

Philips LED Module System (RGBA), design freedom with dynamic color control

Whatever lighting effects you want to create, and whatever the object or environment into which you want to integrate them... Philips LED modules offer a solution that really lets you express your creativity. Thanks to their small size, outstanding freedom of configuration and dynamic capabilities, there are virtually no limits to your new lighting concepts.

The Philips LED Module System RGBA is a complete LED subsystem for integration into luminaires and other applications. Where the standard LED modules are made up of LEDs of the same color, the RGBA LED modules contain 4 LEDs of red, green, blue and amber colors. Each LED can be dimmed and addressed individually, enabling a full spectrum of colors to be created at varying intensities. You can configure your own system from our LED modules, Xitanium LED power drivers and control interface units, all available individually. The LED modules contain LEDs, optics, LED driver electronics and an integrated heat sink to ensure reliable and highly efficient operation. Dynamic lighting effects can be created by connecting external control systems such as DALI or DMX via the control interface.

- Dynamic color control and dimming
- Highly flexible modular system; virtually unlimited freedom of configuration
- The RGBA LED module can be used in combination with white and mono color LED modules
- Integrated driver function and heat sink; optimum operating conditions, both electrical and thermal
- Integrated control functions for color control and dimming
- Control interface to external DALI or DMX control systems
- Solid-state devices are vibration- and shock-resistant for high reliability
- Color consistency of LEDs of same type; each module type is made with LEDs from same color bin
- Choice of 1W or 3W Luxeon LEDs (4W or 12W module power ratings)
- Lumen output calibrated to achieve a maximum deviation of $\pm 15\%$
- Long lifetime of 50,000 h for low maintenance costs
- Excellent lumen maintenance and very low failure rate: 70% lumen maintenance and <5% failures at 35,000 h (case temperature $<60^{\circ}\text{C}$)
- Integrated optics for optimum ease of use and rapid system development
- Low-voltage operation (20-24V DC) for safety and ease of use
- UV- and IR-free beam allows safe use with light- and heat-sensitive products
- Optimum design freedom with remote location of power supply and control interface (up to 10 m with standard 0.5 mm² cable)
- All modules are IP67 rated for outdoor or indoor use
- Cold-start capability down to -30°C for unrestricted low temperature use

Applications:

- Architectural and decorative lighting
- Wall washing and special lighting effects

PHILIPS

Technical data

LED Module RGBA

Shape	Wattage	Color	Optics	Type	Wavelength	Maximum power consumption	Lumen output (expected at advised maximum case temp.)	Advised maximum case temp.	Minimum ambient temp.
					nm	W	lm	°C	°C
1x4	4W	RGBA	Line beam	LMS 1x4 4W 20-24VDC	RGBA 8DX50	Blue	465.0-470.0	9	-30
						Red	613.5-620.0	25	
						Amber	589.5-592.0	10	
						Green	530.0-535.0	27	

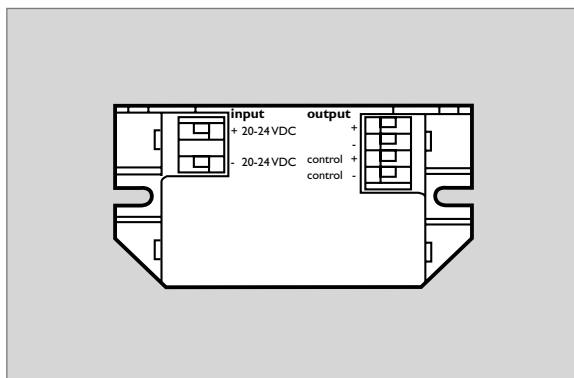
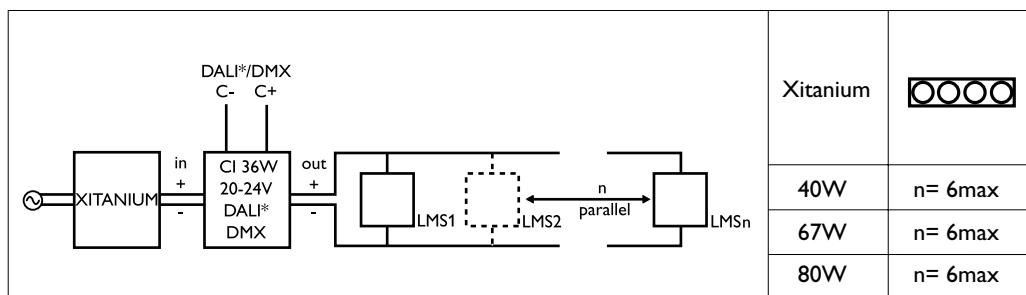
Control Interface

Description	Type	Power consumption	Maximum case temp.	Minimum ambient temp.
		W max.	°C	°C
DALI /DMX Control Interface	CI 36W 20-24VDC DALI/DMX	2.5	60	-30

Xitanium LED Power Drivers

Type	Input voltage range	Input frequency range	Power consumption max.	Maximum case temp.	Minimum ambient temp.
	V	Hz	W	°C	°C
LED Driver Indoor	40W/230V	207-264	47-63	51	85
LED Driver Outdoor	40W/230V	207-264	47-63	51	50
LED Driver Outdoor	67W/230V	207-264	47-63	80	90
LED Driver Outdoor	80W/230V	207-264	47-63	95	90
LED Driver Indoor	40W/120V	108-132	47-63	51	85
LED Driver Outdoor	40W/120V	108-132	47-63	51	50

Maximum number of LED Modules to be connected to a Xitanium driver:



Wiring Control Interface

Ordering data

LED Module RGBA

Type	EOC code	Net weight product (g)	Min. order quantity (= 1 box)	Gross weight box (g)	Dimen. box (lxwxh) in cm
LMS 1x4 4W 20-24VDC RGBA 8Dx50	8711559 761985 30	160	5	1100	32x22x7

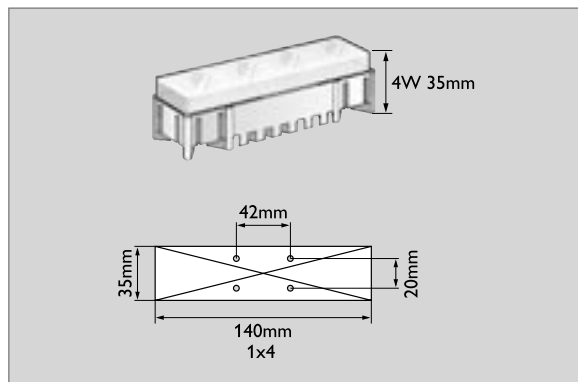
Control interface

Description	Type	EOC code	Net weight product (g)	Min. order quantity (= 1 box)	Gross weight box (g)	Dimen. box (lxwxh) in cm
DALI /DMX Control Interface	CI 36W 20-24VDC DALI/DMX	761787 30	35	5	250	10x10x10

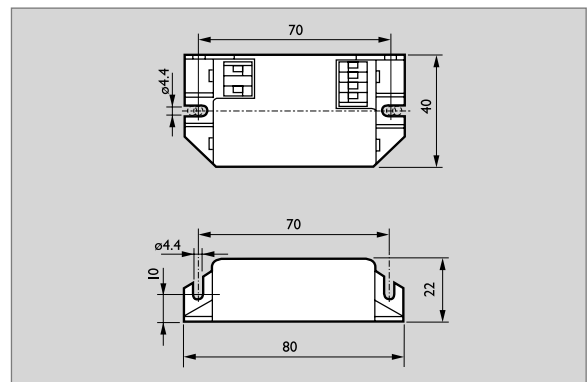
Xitanium LED Power Drivers

Type		EOC code	Net weight product (g)	Min. order quantity (= 1 box)	Gross weight box (g)	Dimen. box (lxwxh) in cm
LED Driver Indoor	40W/230V	927385 30	240	12	3200	28x16x8
LED Driver Outdoor	40W/230V	931221 30	675	3	2225	27,4x17,4x6,4
LED Driver Outdoor	67W/230V	931207 30	640	20	12900	33,7x31,1x10,2
LED Driver Outdoor	80W/230V	931245 30	640	20	12900	33,7x31,1x10,2

		Partnumber
LED Driver Indoor	40W/120V	LED120A0024V18F
LED Driver Outdoor	40W/120V	LED120A0024V18FO



Dimensions LED Module RGBA
Burning position: universal.



Dimensions Control Interface



3222 635 57521
04/2006
Printed in the Netherlands
Data subject to change