

for more information:  
[www.philips.com/MASTERColour](http://www.philips.com/MASTERColour)



## The most compact CDM system of its category

Philips MASTERColour CDM-Tm Mini system

MASTERColour CDM-Tm Mini 20W and 35W - together with HID PrimaVision Mini gear - offer a unique combination of miniature size, excellent light quality, low power consumption, long lifespan and reduced cost of ownership. It's never been easier to think small.



© 2007 Koninklijke Philips Electronics N.V.  
All rights reserved.

Data subject to change  
3222 635 9655 I  
03/07

**PHILIPS**  
sense and simplicity

# The most compact CDM lamp of its category

The Philips MASTERColour CDM-Tm Mini lamp, the most compact CDM lamp of its category is now available in 20W and 35W versions. Both lamps are compatible with Philips HID-PrimaVision Mini gear for optimum system performance. Providing high-quality, crisp white light and excellent lifetime performance you also benefit from the massive energy savings compared with Halogen systems.



## Benefits Philips MASTERColour CDM-Tm Mini system

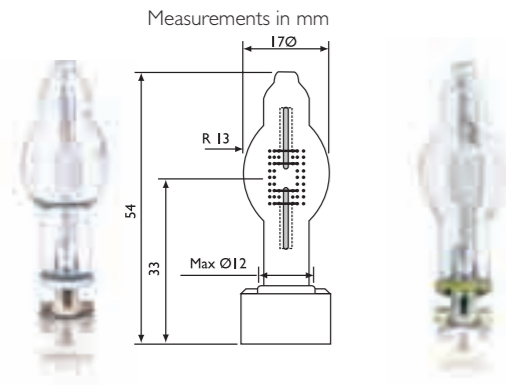
- Enables miniaturized and unobtrusive luminaires
- Excellent merchandize presentation
- Crisp, white light with excellent colour stability throughout its lifespan
- Accurate positioning and easy installation
- Up to four times the life of halogen
- Save up to 70% on energy consumption compared with halogen

## Lamp technical specifications

- Most compact CDM lamp on the market (only 52mm long and 40% smaller than MASTERColour CDM-TC)
- Same size for 20W and 35W
- Very high colour rendering index (Ra>85 for 20W, Ra 90 for new 35W)
- Twist and Lock PGJ5 socket with easy lamp replacement
- Philips MASTERColour CDM technology
- Universal operating position

## Applications

- Shoplighting
  - Accent lighting
  - General lighting
- Outdoor
  - Decorative floodlighting



Philips MASTERColour CDM-Tm Mini 20W lamp

Philips MASTERColour CDM-Tm Mini 35W lamp

## Product specifications

Lamp range	Light output (lm)	Colour designation	Colour temperature (K)	Colour rendering (Ra)	Lifetime (h)	Lamp base	Ordercode EOC
MASTERColour Mini CDM-Tm 20W/ 830	1650	Warm white	3000	85	12000	PGJ5	20751715
MASTERColour Mini CDM-Tm 20W/ 830 (KIT** version)	1650	Warm white	3000	85	12000	PGJ5	20766115 KIT** (12)
MASTERColour Mini CDM-Tm 35W/ 930	3000	Warm white	3000	90	6000*	PGJ5	21149115
MASTERColour Mini CDM-Tm 35W/ 930 (KIT** version)	3000	Warm white	3000	90	6000*	PGJ5	21292415 KIT** (12)

\*6000 hours proven lifetime at launch (May 2007)

\*\*KIT including lampholders

# The most compact CDM gear of its category

The Philips HID-PrimaVision Mini gear is a miniature, electronic HID-gear developed for Philips MASTERColour CDM lamps. The gear for both Philips MASTERColour CDM-Tm Mini 20W and 35W lamps is the same size, enabling a greater degree of uniformity in luminaires. Furthermore, the gear for the Philips MASTERColour CDM-Tm Mini 35W system is compatible for all Philips MASTERColour CDM 35W lamps and is the most compact gear of its category.

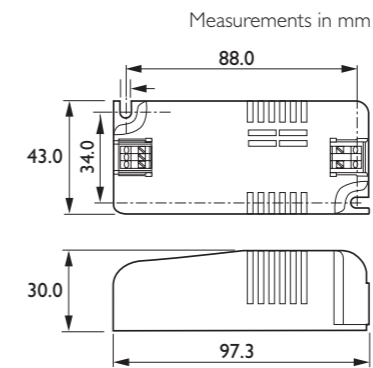


## Benefits Philips HID-PrimaVision Mini gear

- Advantages in luminaire miniaturization and cable ratings due to low-rated ignition voltage (<2.0 kV) compared with higher wattage CDM lamps (<5 kV)
- Available in standard and independent version
- Philips HID-PrimaVision Mini 35W gear drives all Philips MASTERColour CDM 35W lamps
- High Power Factor
- Same size for Philips HID-PrimaVision Mini 20W and 35W gear for easy integration in luminaire
- Microprocessor-controlled operation with software based on our knowledge and expertise in compact HID lamps that gives optimal lamp performance



Philips HID-PrimaVision Mini



## Product specifications

Gear type	For Philips lamp types	System Power (W)	Lamp Power (W)	Power factor	Ignition Voltage (V)	Tcase max (°C)	T ambient (°C)	Ordercode EOC
HID-PV m 35 /S mCDM	All CDM 35W lamps	45	39	> 0.95	1.5 [min]... 2.0 [max]	85	-20[min]... +50[max]	91062230
HID-PV m 20 /S mCDM HPF	CDM-Tm Mini 20W	26	22	> 0.90	1.25 [min]... 1.5 [max]	85	-20[min]... +50[max]	91236730
HID-PV m 20 /S mCDM LPF standard version (S)**	CDM-Tm Mini 20W	25	22	0.5	1.2 [min]... 1.5 [max]	75	-20[min]... +50[max]	53608230
HID-PV m 20 /I mCDM LPF with strain relief (S)***	CDM-Tm Mini 20W	25	22	0.5	1.2 [min]... 1.5 [max]	75	-20[min]... +50[max]	90981730
HID-PV m 20 /P mCDM LPF PCB version (P)****	CDM-Tm Mini 20W	25	22	0.5	1.2 [min]... 1.5 [max]	95	-20[min]... +50[max]	90761530

\*\* standard version (S) with full polycarbonate/ ABS housing

\*\*\* 2x strain relief (I) for fully independent operation/ stand-alone applications

\*\*\*\* PCB version (P) for integration in luminaire