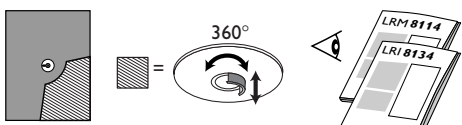
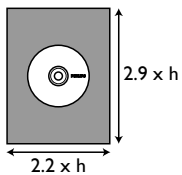
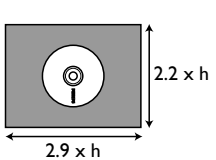
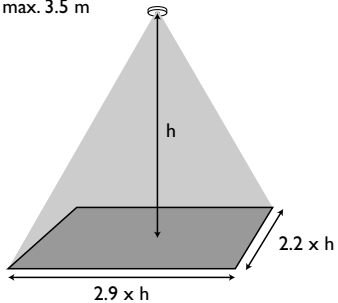




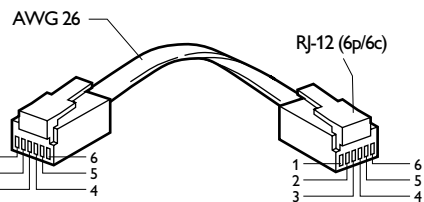
LRM 8114, LRI 8134

h = max. 3.5 m



5b

Datasheet



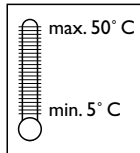
Telejack connectors

Pin/core	Colour wire	Function
1	White	12...24 VDC
2	Black	GND
3	Red	—
4	Green	LS
5	Yellow	IR
6	Blue	MD

Supply (I short circuit < 1 A)	LRM 8114	LRI 8134
V	12...24 VDC ±10%	12...24 VDC ±10%
mA LED ON	7.5 mA	10 mA
mA LED OFF	6 mA	8.5 mA
MD	Normally open max: 10 mA	Normally open max: 10 mA
LS		0...10 VDC
IR		RC 5

Incorrect connection can damage the unit

6



RH

20 - 85%



LRM 8114: 0.043 kg
LRI 8134: 0.047 kg

3222 636 40141
12/2003
Printed in EU
Data subject to change
<http://www.controls4lighting.com>

Ordering data

Type	MOQ	Ordering number
LRM 8114	24	9137 003 18403
		EAN code level 1 EAN code level 3
		87 11559 51 9067 87 11559 51 9074
Type	MOQ	Ordering number
LRI 8134	24	9137 003 18303
		EAN code level 1 EAN code level 3
		87 11559 51 9043 87 11559 51 9050

LRM 8114, LRI 8134

Installation instructions

Instructions de montage

Montageanweisung

Montagevoorschrift

Istruzioni di montaggio

Instrucciones de montaje

Installationsvejledning



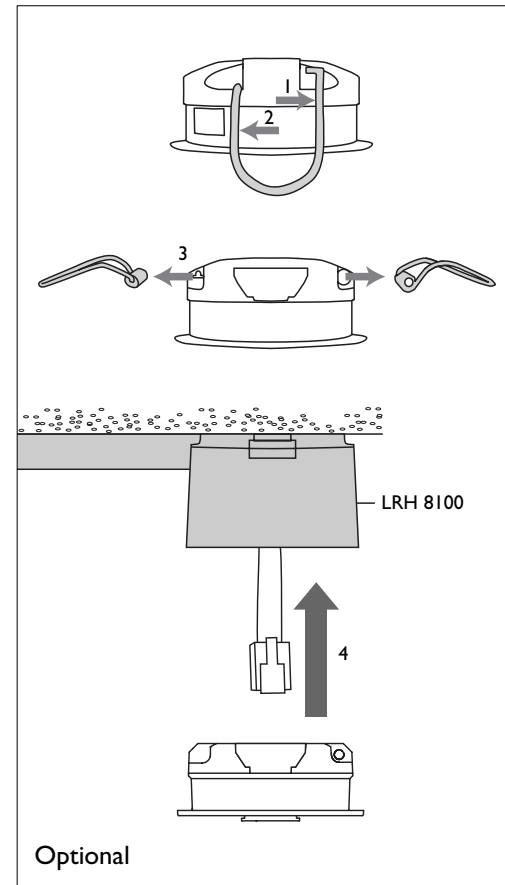
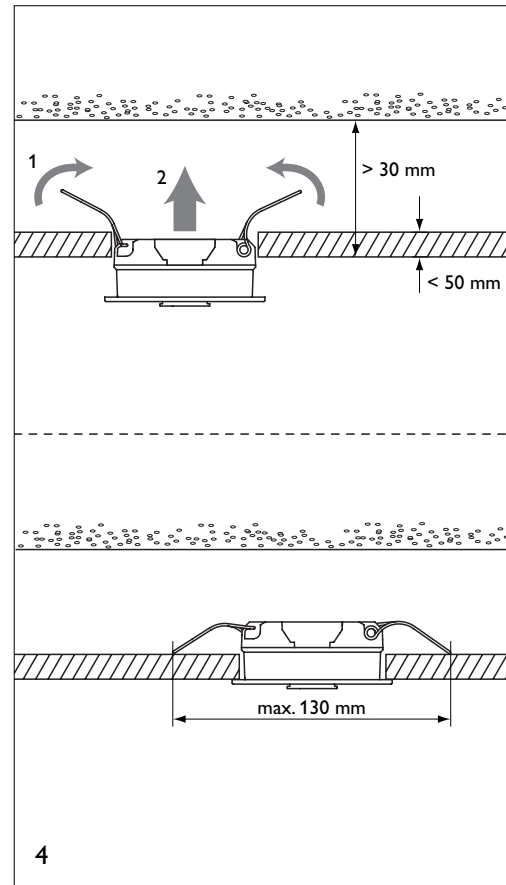
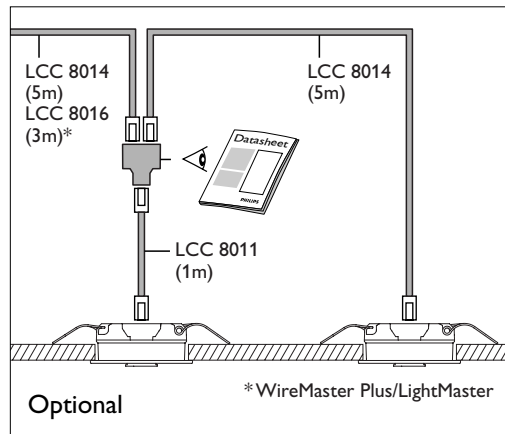
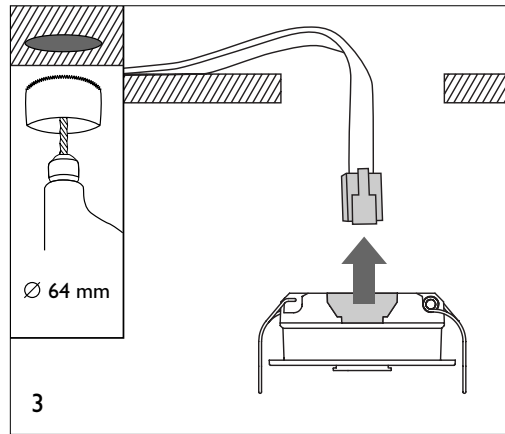
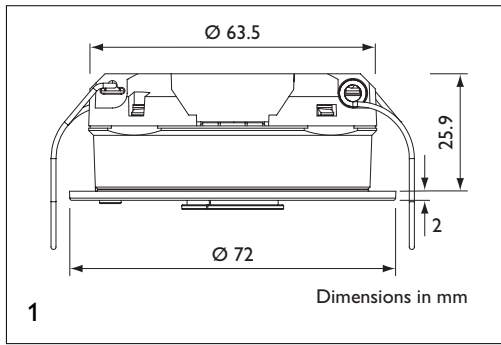
LRM 8114



LRI 8134



PHILIPS



LRM 8114

ON	DIP	ON
1	2	3
4		

↑

	ON
1	LED <input checked="" type="checkbox"/>
2	+5min
3	+10min
4	+20min

LRI 8134

ON	DIP	ON
1	2	3
4	5	6
7		

↑

	ON
1	LS
2	IR
3	MD
4	LED <input checked="" type="checkbox"/>
5	+5min
6	+10min
7	+20min

Datasheet LRM 8114
3222 636 31151
Datasheet LRI 8134
3222 636 31141

LRI 8134

Calibration

Application sheet
3222 636 10001

h = max. 3.5 m

min. 0.75 x h

h

lux

1.5 x h

1.5 x h

5a