

LRC5141, LRC5142, LRC5143

LON DALI Light Controller

Installation instructions

Instructions de montage

Montageanweisung

Montagevoorschrift

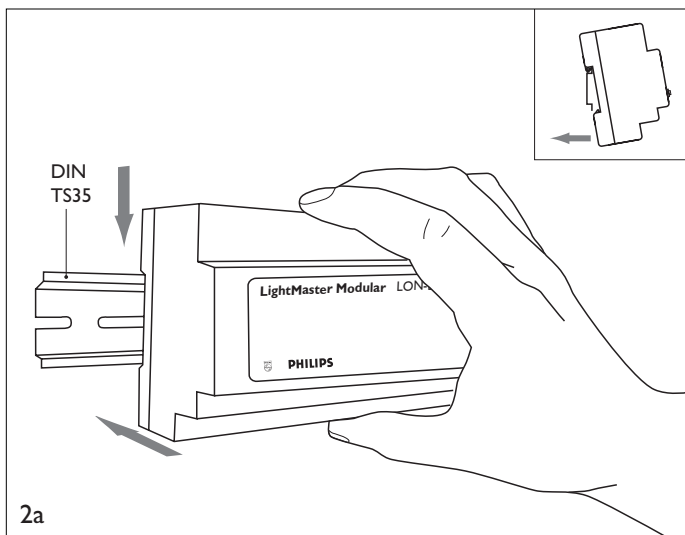
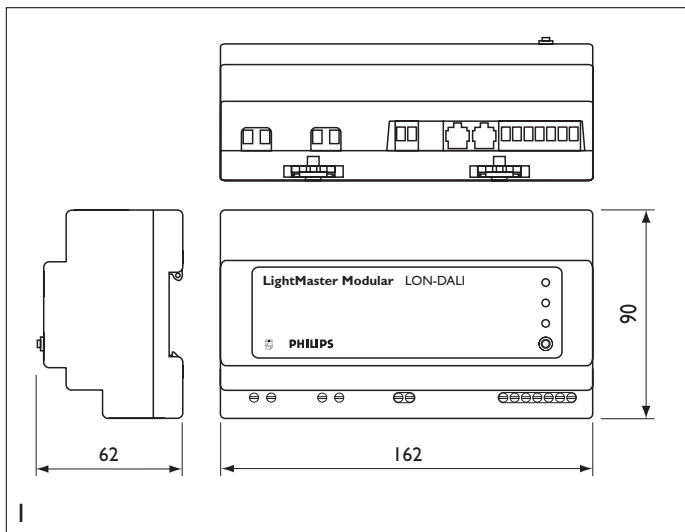
Istruzioni di montaggio

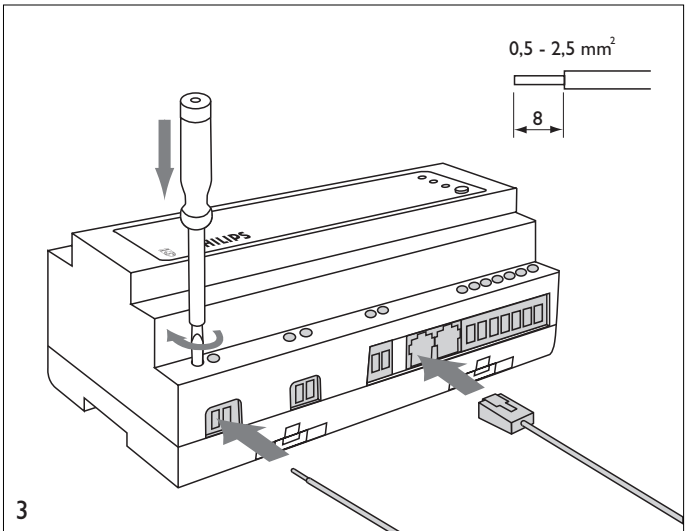
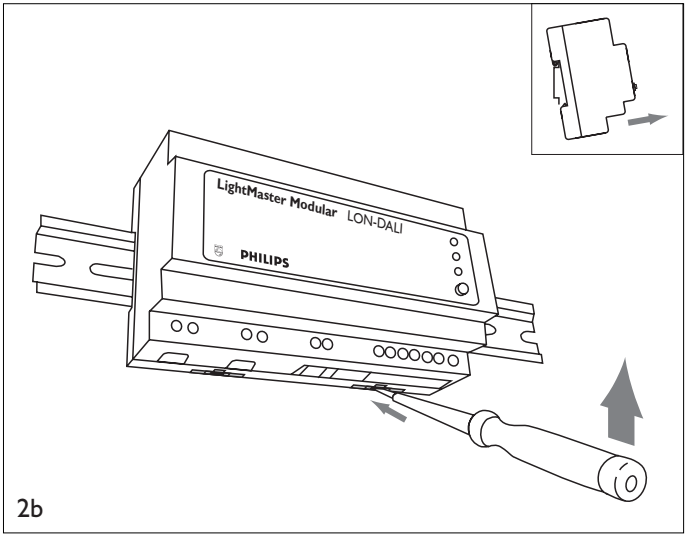
Instrucciones de montaje

Monteringsanvisning

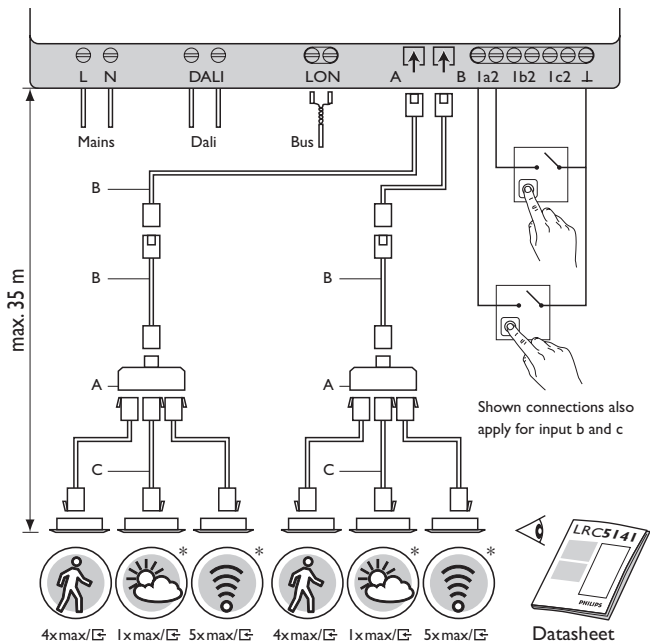


PHILIPS





LRC5141/LRC5142



Philips order types:

A branching connector LCC 8024

B extension cable (5 m) LCC 8012 / extension cable (20 m) LCC 8013

C sensor cable (1 m) LCC 8011 / sensor cable (5 m) LCC 8014

* Limited function

4

AWG 26 RJ-12 (6p/6c)



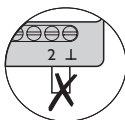
Telejack connectors

Pin/core	Colour wire	Function
1	White	+12V DC
2	Black	GND
3	Red	+5V DC
4	Green	☒ ☒ ☒
5	Yellow	☒ ☒ ☒
6	Blue	☒ ☒ ☒

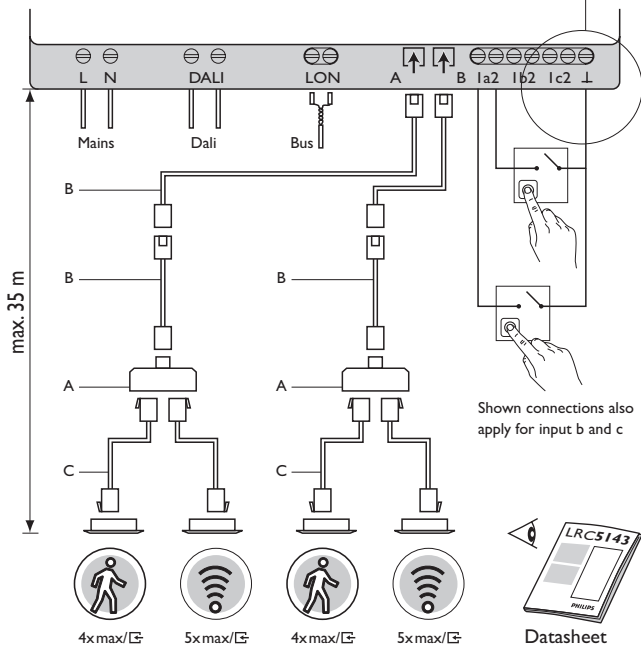
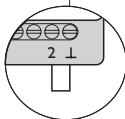
5

LRC5143

2-lamps dynamic lighting
(e.g. Carpe Diem)



3-lamps dynamic lighting
(e.g. SAVIO)



Shown connections also apply for input b and c



Philips order types:

A branching connector LCC 8024

B extension cable (5 m) LCC 8012 / extension cable (20 m) LCC 8013

C sensor cable (1 m) LCC 8011 / sensor cable (5 m) LCC 8014

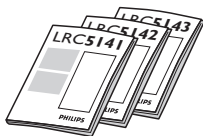
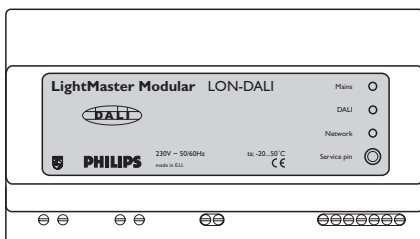
3222 636 40162

11/2006

Printed in EU

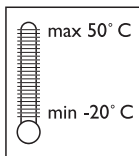
Data subject to change

<http://www.philips.com/lightingcontrols>



7

Datasheets → <http://www.philips.com/lightingcontrols>



max 50° C

min -20° C

RH

20 - 95%



0,286 kg