

LPS100/00, LPS100/01

Installation instructions

Instructions de montage
Montageanleitung
Montage instruktie
Istruzioni di montaggio

Instrucciones de montaje
Instruções de montagem
Monteringsinstruktioner
Monteringsvejledning

Kokoonpano- ja kiinnitysohjeet
Montaj yönergəsi
Οδηγίες συναρμολόγησης
Instrukcja montazu



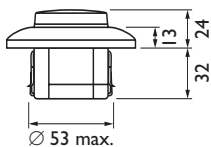
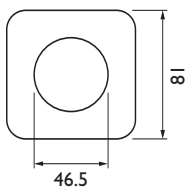
LPS100/00



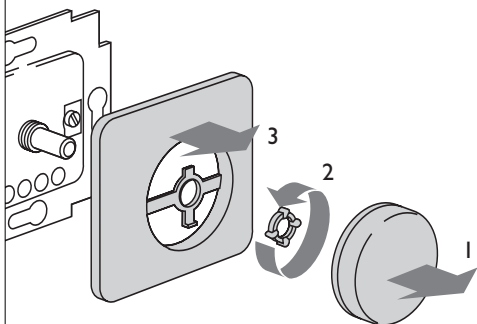
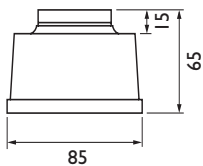
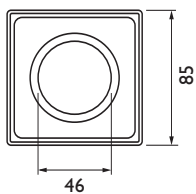
LPS100/01

PHILIPS

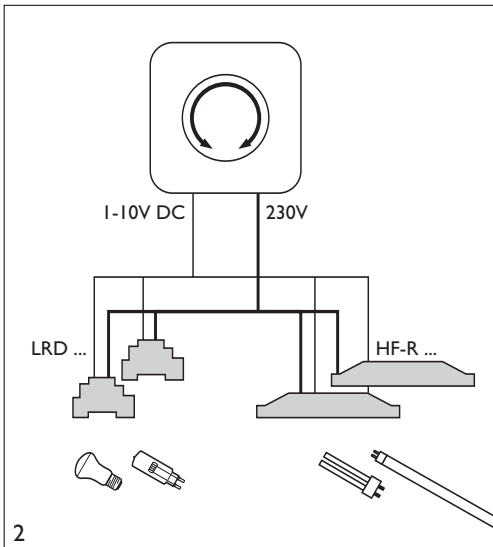
LPS100/00



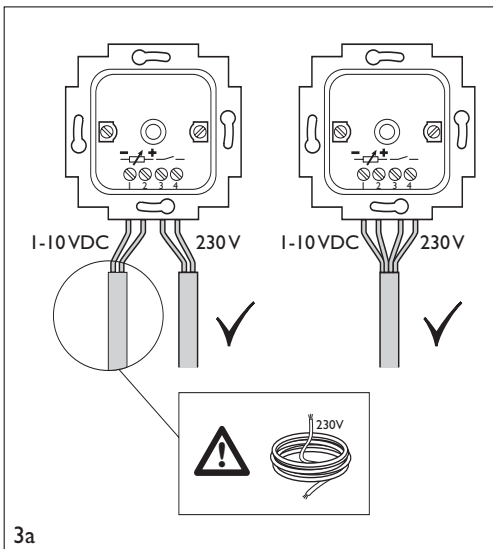
LPS100/01



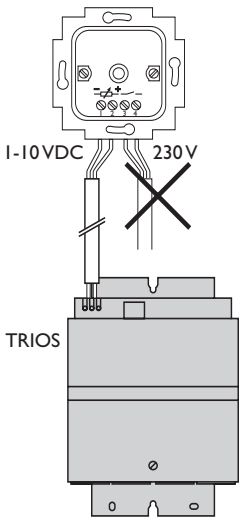
I



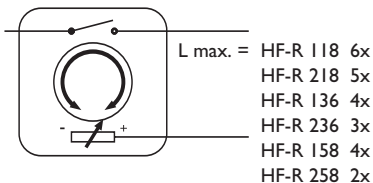
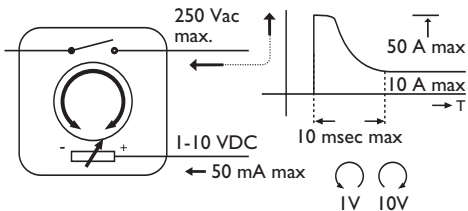
2



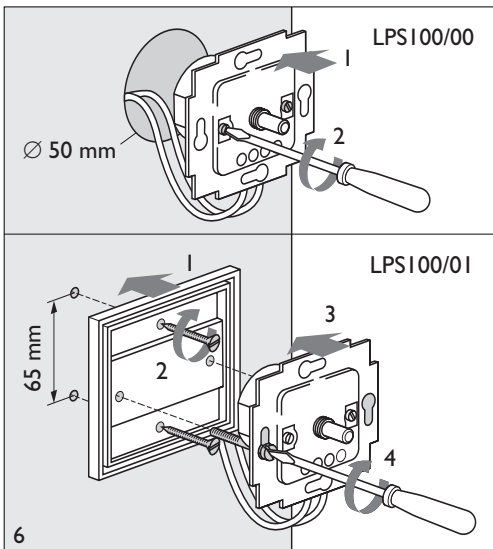
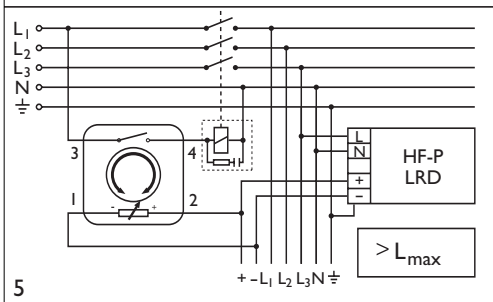
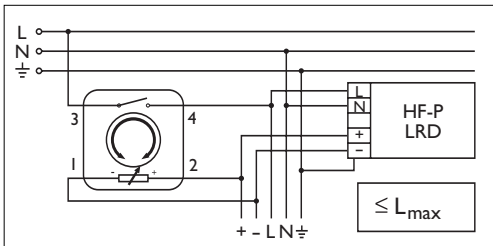
3a



3b



4



3222 609 26302

05/2006

Printed in EU

Data subject to change

www.philips.com/lightingcontrols

