

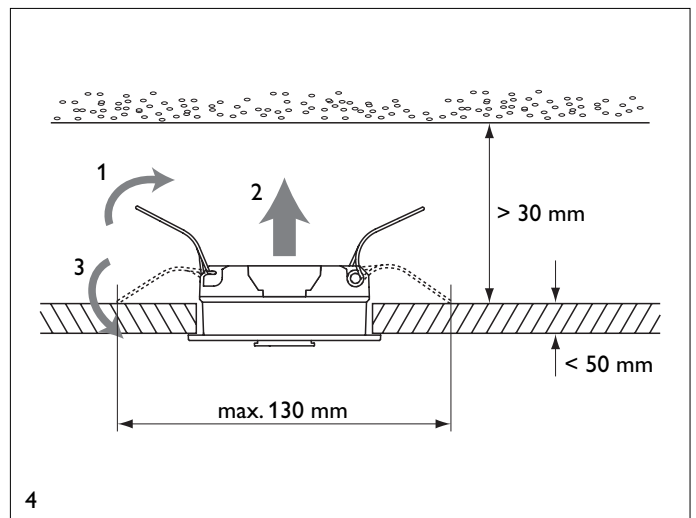
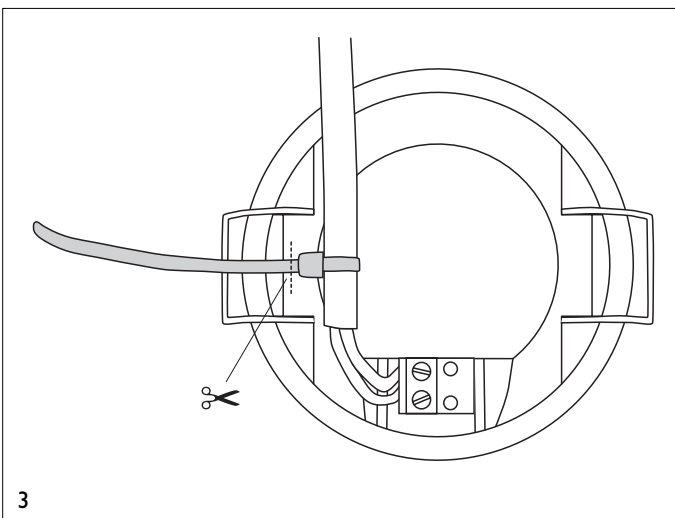
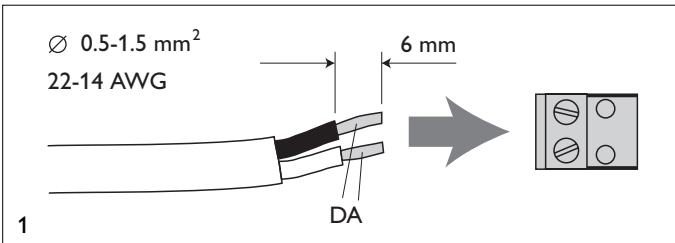
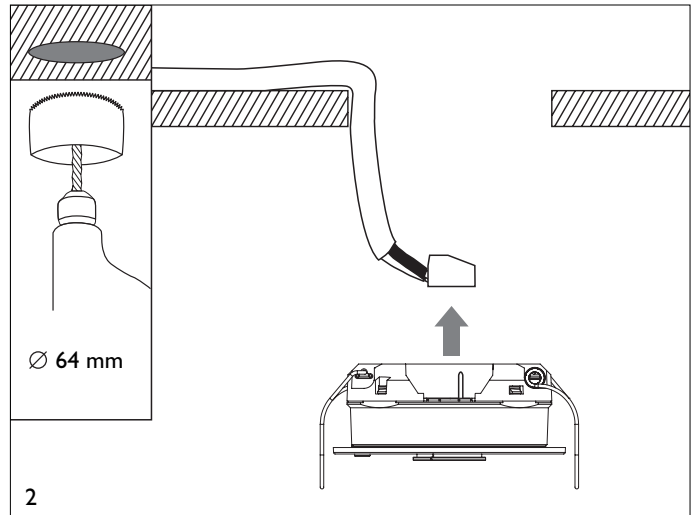
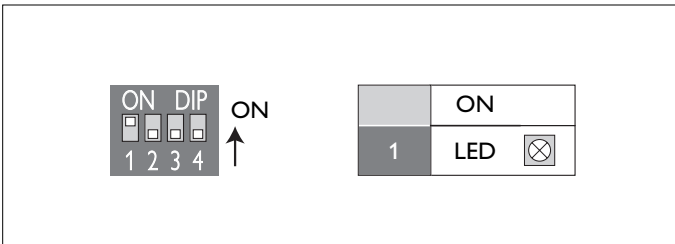
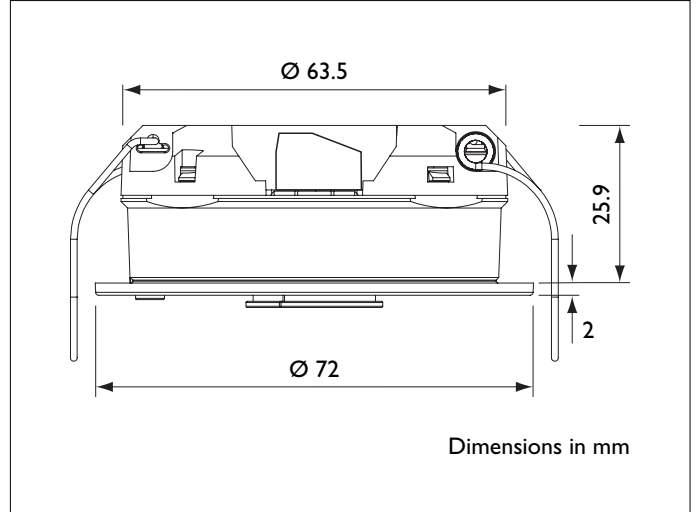
LRM8118/00 ActiLume Extension Sensor

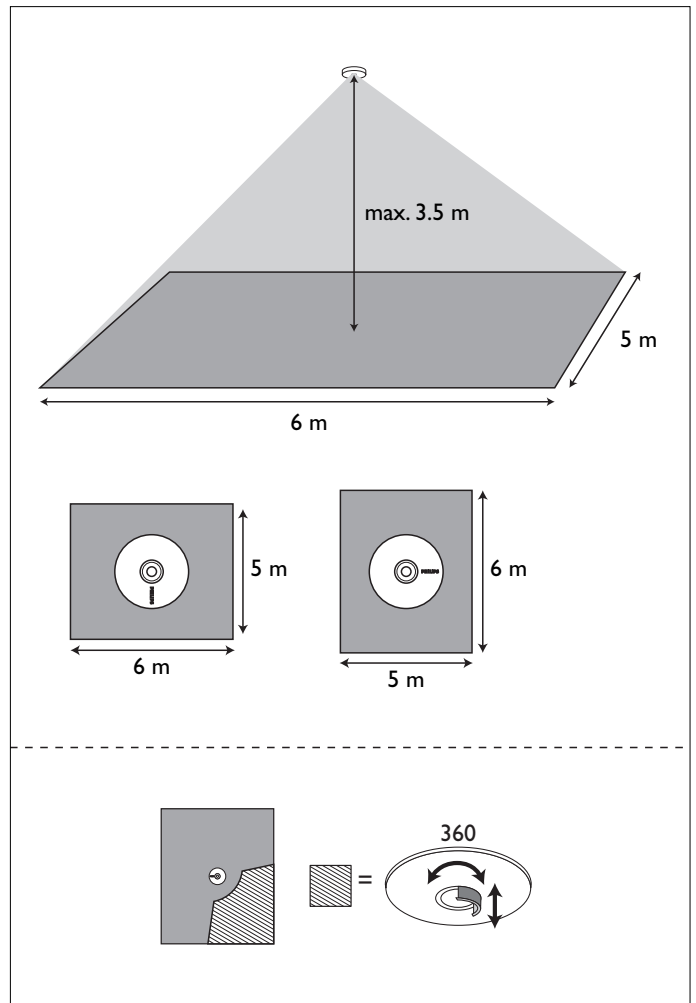
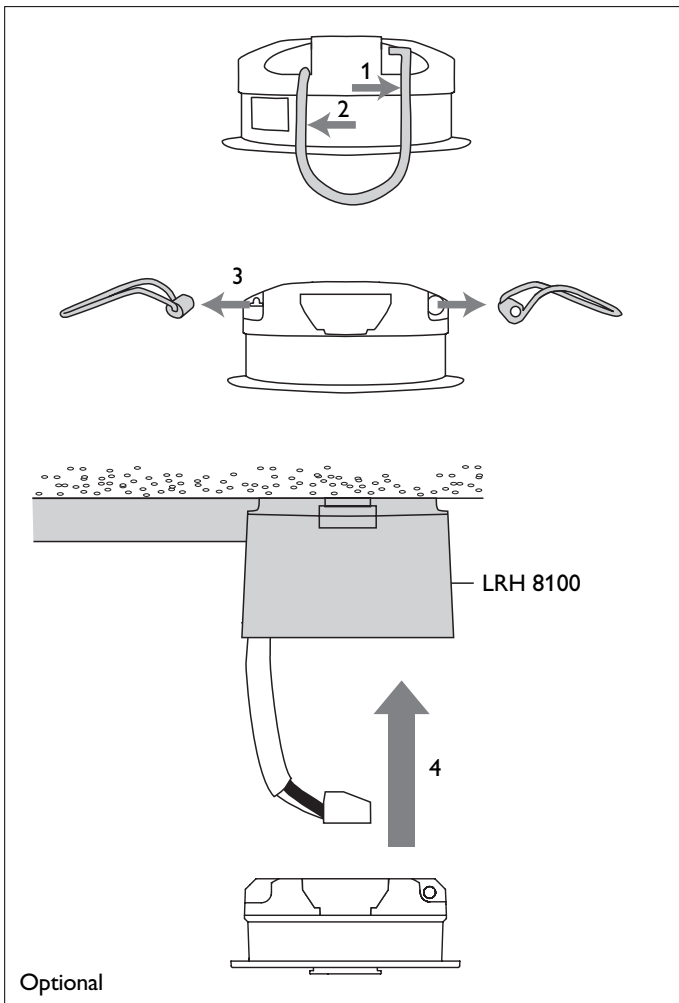
Installation instructions

Instructions de montage
Montageanweisung

Montagevoorschrift
Istruzioni di montaggio

Instrucciones de montaje
Installationsvejledning





Supply (I short circuit < 250 mA)		
V		16 VDC
mA	LED ON	3 mA
mA	LED OFF	1,5 mA

<p>max. 50° C min. 5° C</p>	<p>RH 20 - 85%</p>	<p>0.043 kg</p>
---------------------------------	-------------------------------	-----------------

Ordering Data

Type	MOQ	Ordering number	EAN code level 1	EAN code level 3
LRM8118	24	9137 003 24703	87 11559 730783	87 11559 730790

3222 636 40171
11/2005
Printed in EU
Data subject to change
<http://www.lightingcontrols.philips.com>

