

LRH5100

LightMaster Modular Steel Enclosure for DIN rail units



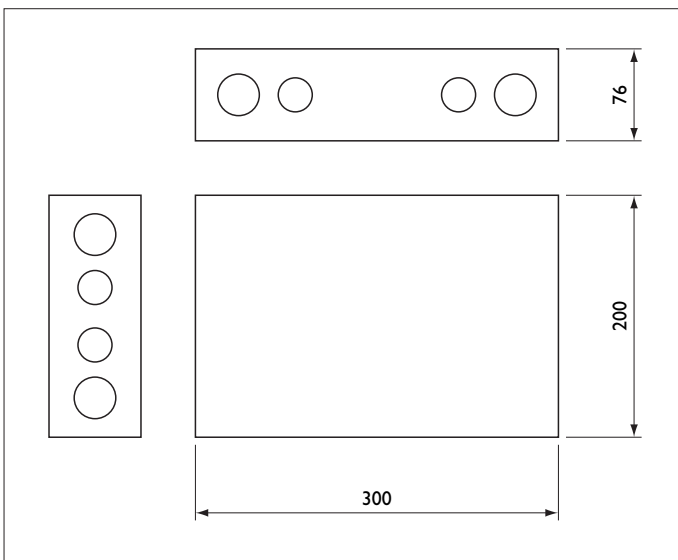
General Description

The LRH5100 is a steel installer enclosure and can be used in combination with any of the LightMaster Modular (LMM) DIN rail products.

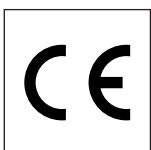
It provides the right housing for those situations where a LMM DIN rail unit is required but where no installation cabinet is available.

Features

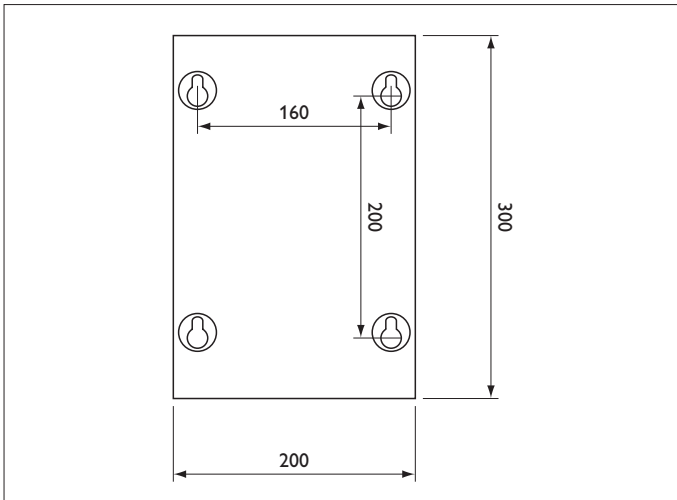
- Steel housing
- 12 (twelve) 25mm knockout ports for cable glands, 2 on each side and 4 in the bottom part.
- 8 (eight) 20mm knockout ports for cable glands, 2 on each side.
- 18 cm of 35mm DIN rail EN50022 for units up to 9 TE
- Label to indicate the enclosed device and circuit references



Dimensions in mm



Fixing




The LRH5100 can be mounted using the fixing methods indicated in the adjacent diagrams.
 When selecting a location for the LRH5100 and the LMM component inside, avoid obvious cold spots so that condensation does not occur. Examples of cold spots are uninsulated external walls or metal construction beams.

Label

The LRH5100 has a label with a number of checkboxes to indicate which LMM device is inside. It is strongly advised to use this facility for future maintenance of the LMM system.

Related products

All LMM products with DIN rail housing can be used in this enclosure.



Do not use this enclosure in combination with the LRD80x0 dimmer series.

Packing data

Type	Box dimensions (mm)	Qty	Material	Weight (Kg)	
				net	gross
Unit box	430 x 215 x 60	1	cardboard	2	2.16
Outer box	447 x 255 x 236	4	cardboard	8	8.98

Ordering Data

Type	MOQ	Ordering number	EAN code level 1	EOC
LRH5100 HOUSE TIN 9TE	1	9137 003 24603	87 11559 730769	730769 00

3222 636 31241
 04/2006
 Data subject to change
www.philips.com/lightingcontrols

