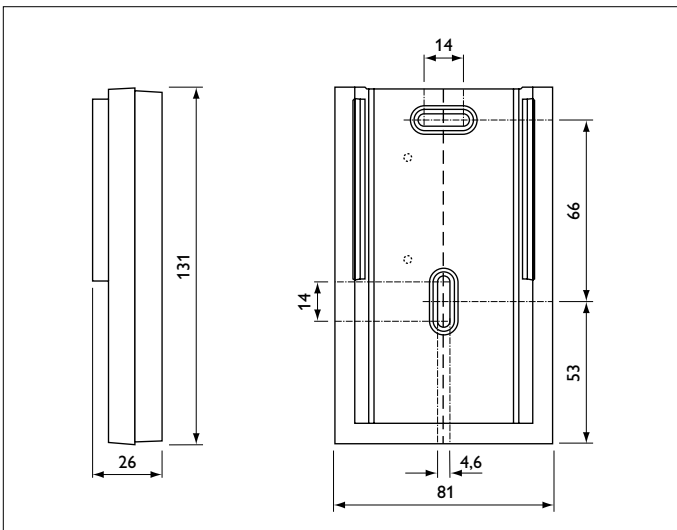
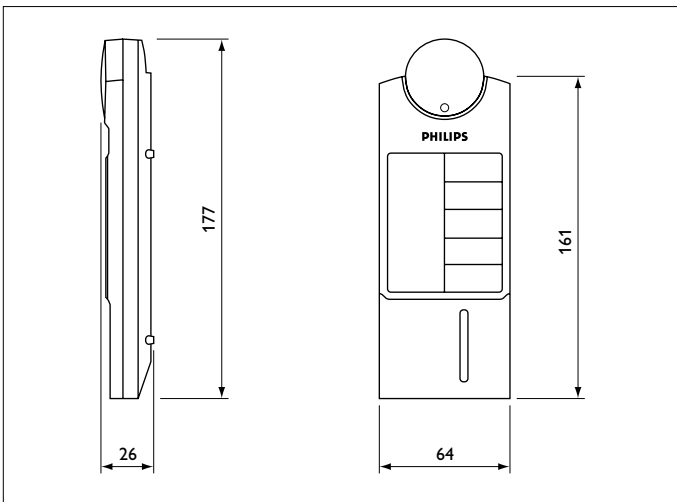


IRT8030/00

TRIOS Hand- / Wall transmitter



Dimensions

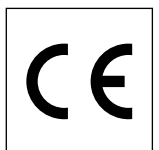
Product details

- The IRT8030 is a 4 preset handheld transmitter complete with wall holder, suitable for the infrared remote control of lighting installations equipped with Helio or Trios control systems.
- It can be used to switch and/or regulate 5 individual lighting control circuits, and to program and select 4 lighting presets (scenes).
- Five large double sided keys at the top are used for the main functions (preset selection and "all off"). Less frequently used functions (individual control and preset programming) are located under a hinged cover at the bottom of the unit.
- The transmitter has an integrated "teach mode" so it can be used as a programming tool for group, channel addresses and operational modes of TRIOS controllers.
- The group address of the transmitter itself can be selected with DIP switches (behind the text plate under the hinged cover).
- A red LED on the front of the unit indicates the transmission of infrared signals and gives a warning when the unit is in "teach mode".
- Battery lifetime (with Philips Powerlife batteries - 1050 mAh) is at least 4 years, when used 50 times per day as an average.

- The unit is delivered complete with wall holder, batteries and installation instructions.

Applications

- The IRT8030 is primarily intended for the infrared remote control of lighting installations in offices. Its main function is the selection of pre-programmed values (called "presets") and the "all off" command. Control of individual control circuits and the adjustment and storage of these presets (or lighting scenes) are other important functions. Additionally the transmitter can be used in "teach mode" to set addresses and operational modes of lighting controllers.
- The IRT8030 can be used in combination with HELIO, and TRIOS. It replaces the IRC2130 and IRT1090.
- Although designed for handheld or tabletop operation, the unit will frequently be used from a fixed position, i.e. in the wall holder. The Infrared radiation pattern has been optimised for this application.



Functionality

Four presets can be selected with the four large keys on the front of the transmitter. The fifth large key is the “all off” button. Buttons behind the hinged cover can be used to program the Presets or to select the “Teach mode”. These buttons are not used during normal use of the IRT8030.

For incidental changes of system parameters, the transmitter can be switched temporarily into a “teach mode”. The IRT8030 can then be used as a TRIOS programming tool, thus offering the same (programming) functionality as the TRIOS programming tool IRT1090 and as included in the remote control transmitter IRT8050.

For an overview of the key allocation refer to figure 1: key functions of the IRT8030

For an overview of the key allocation in “teach mode” refer to figure 2: key functions of the IRT8030 in “teach mode”

Operating instructions

General information

The allocation of keys is such that the most common functions can be operated with the large upper keys and the less common functions with the keys under the hinged cover.

Dimming and switching of individual control circuits and the programming functions in “teach mode” require a “two-step” operation: First the

required channel or parameter must be selected, then the required operation can be executed or the selected value entered.

The following paragraphs give a short description of the various control functions. Obviously these descriptions are only relevant provided that this function is supported by the corresponding control system. For details on specific functions please refer to the documentation on the relevant control system.

Selecting presets (light scenes)

One out of four presets can be selected directly using one of the four large keys on the front of the transmitter. Lights can be switched off simultaneously with the fifth large key.

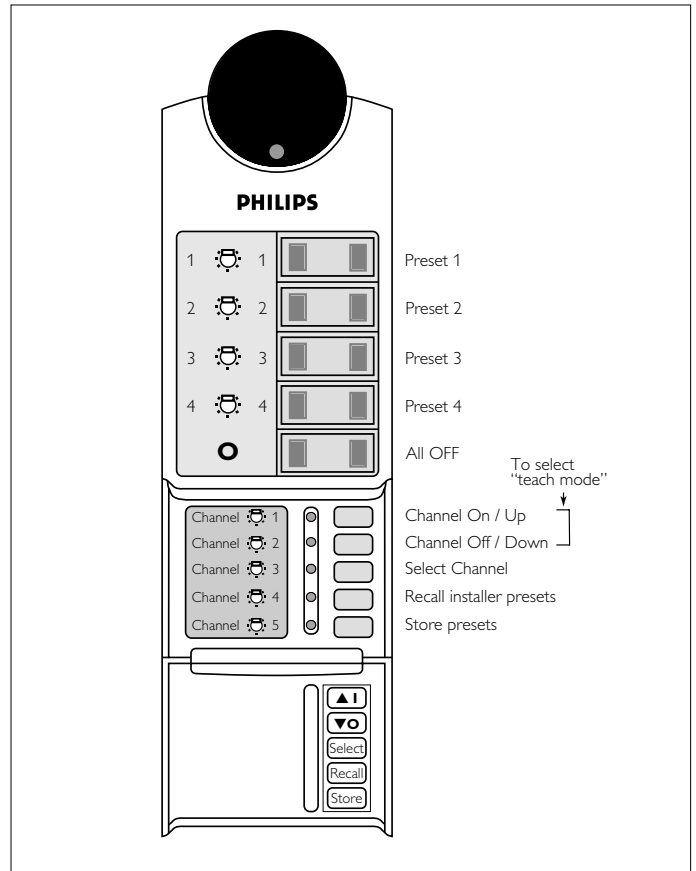


Figure 1: Key functions of the IRT8030

Controlling individual lighting control circuits in Helio and Trios (Figure 1)

First the required channel must be selected, then the required operation can be executed. Channel selection is achieved with the “Select Channel” key. An LED indicates the selected channel. When the “Select Channel” key is momentarily pressed (less than 1/2 sec.) the led shows the (last) selected channel. When the key is pressed continuously or repeatedly, the next channels are selected. This action can be continued or repeated until the required channel has been selected. If no further keys are pressed the LED’s stay on during 5 seconds after the last key release.

With the “Channel On / Up” and “Channel Off / Down” keys the selected channel can be switched and /or regulated, as allowed by the corresponding controller(s). During the actual transmission of infrared signals, the LED flashes for verification of the selected channel. After transmission the LED is switched off.

Programming presets

The procedure to be followed is:

1. adjust individual control circuits as described before
2. press the “store” key
3. press the wanted preset key

Recall installer presets

At any time the user can revert to the pre-programmed presets as set by the installer, by pressing the “Recall” key.

Programming Operational Mode, Group Address and Channel Address.

For programming the group, or channel, addresses or the operational mode of a controller, the transmitter must be set in the "teach mode". This is done by pressing the "Channel On / Up" and "Channel Off / Down" keys (under the cover) simultaneously until (after about 3 seconds) a flashing LED (2 flashes per second) indicates the "teach mode". The functions of the keys in "teach mode" are shown in figure 2.

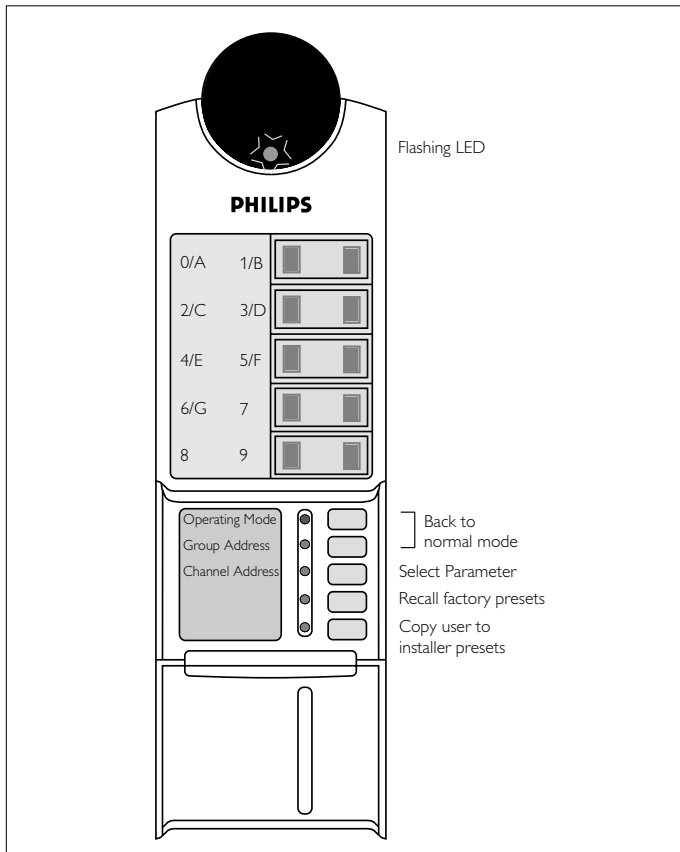


Figure 2: Key functions of the IRT8030 in "teach mode"

First the parameter to be programmed (group, channel or mode) must be selected, and then the required value can be entered. Parameter selection is done with the "Select" key. An LED indicates the selected parameter. When the "Select Parameter" key is momentarily pressed (less than 1/2 sec.) the led shows the (last) selected parameter. When the key is pressed continuously or repeatedly, the next parameters are selected. This action can be continued or repeated until the required parameter has been selected. If no further keys are pressed the LED's stay on during 5 seconds after the last key release. The value required is programmed by pressing the appropriate upper key (0-9 / A-G). The transmitter sends the codes that set the appropriate address or mode of the controller.

During the transmission of the programming instructions, the infrared indicator LED will flash rapidly. When finished it returns to slow flashing. Also the function indicator LED will flash, thus showing the actual function. After programming is completed, the transmitter can be reset to normal operation by pressing the "Back to normal mode" keys again until the LED's will switch off. The transmitter will revert to normal operation automatically 1 minute after the last key press.

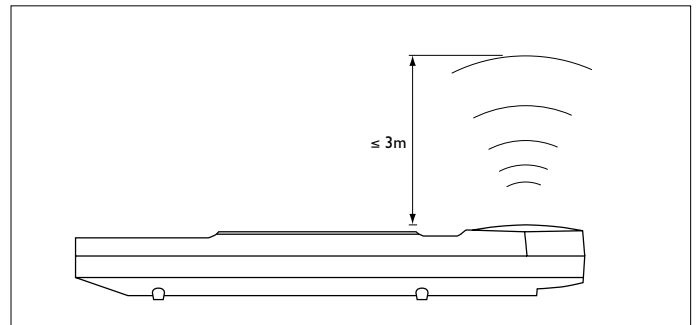


Figure 3: Radiation pattern in "teach mode"

Notes:

1. When transmitting in "teach mode", the infrared radiation pattern of the IRT8030 is reduced to a narrow beam, in order to achieve selective programming of luminaires or controllers. Therefore the transmitter must be pointed directly at the receiver and the distance from transmitter to receiver must be less than 3 meters. (See figure 3)
2. All commands of the IRT8030 "teach mode" are transmitted in the "general" group, in order to assure proper reaction regardless the group address of TRIOS.

Related equipment

Lighting Management Systems

Helio	Room controllers:	LRC5040	LRC5042	LRC5048
	Multisensor	LRI5133		

Stand-alone controls

Trios installer	Room controllers:	LRC1010	LRC1015
		LRC1020	LRC1025
		LRC1030	LRC1035
		LRC1620	

Trios infrasense Luminaire controller LLC1120

Trios multisense Luminaire controller LLC1130

Multisensor LRI 1110

General Purpose Components

IR receivers IRR1224 IRR8124 IRR8125

Multisensor LRI8133 LRI8134

Technical data

- Number of keys : 15
- LED indicators : 1 Red LED for indication of IR transmission and "teach mode"
 5 Red LED's for indication of selected channel or parameter
- Number of IR-LED's : 5 (in "teach mode" only one active)
- Carrier frequency : 36 kHz. (RC5 standard)
- Supply voltage : 6.0 V nominal
- Number of batteries : 4 each 1.5 V nominal
- Battery type : LR03, AAA Power Life (1050mAh)
- Battery life : over 4 years (calculated with Philips Powerlife batteries -1050mAh- and 50 commands per day)
- Environmental conditions
 - Operating
 - Temperature : 5...50°C
 - Relative humidity : 20...85 %
 - Condensation not allowed
 - The IRT8030 should not be exposed to direct sunlight or to high temperatures and should not be used in damp rooms such as bathrooms
 - Storage conditions
 - Temperature : -25...85°C
 - Relative humidity : 5...95 %
- Dimensions : transmitter: 177x 64 x 26 mm (max. height x width x depth)
 wall holder: 131 x 81x 26 mm
- Weight : 0.119 Kg (without batteries)
 0.164 Kg (with batteries)
 0.212 Kg (with batteries and wall holder)
- Housing transmitter
 - Material : ABS
 - Colour : White (Bayer 0177 - close to RAL 9010)
 - Mounting : in wall holder (loose or fixed)
 - Fixation in wall holder : two Parker screws in battery compartment. (see figure 5b)
- Housing wall holder
 - Material : ABS
 - Colour : White (Bayer 0177 - close to RAL 9010)
 - Mounting : with screws or double-sided tape. (see figure 5a)
- EMC
 - Immunity : in accordance with EN 50082-1
 - Radiated interference : in accordance with EN 50081-1
- Reliability
 - Call rate : 0.2 - 0.5% per year (estimated)
 - Lifetime : 10 years (estimated)

Installation

Positioning

The transmitter IRT8030 is suitable for wall mounted operation, handheld operation and for tabletop operation. For details see figure 4: positioning.

Mounting

The transmitter can be placed in a wall holder. If necessary the transmitter can be locked in the wall holder. For details see figure 5a and 5b: mounting the transmitter.

Battery handling

The transmitter is powered by 4 batteries, type LR03 or AAA. Batteries must be replaced simultaneously. Always use a set of 4 batteries from the same brand with the same production date. Please make sure that batteries are inserted with the correct polarity. Inverted batteries may cause damage to the transmitter! For details see installation instructions.

Disposal of batteries must be in accordance to local regulations.

Note: it is recommended not to use rechargeable nickel cadmium batteries, in view of their limited performance.

Setting of group address

The infrared group address of the transmitter (itself) can be set by DIP switches located behind the text plate under the hinged cover. The DIP must be operated carefully using a pencil, a paperclip or other pointed device. For the exact settings see figure 6: DIP switch settings, and refer to installation instructions.

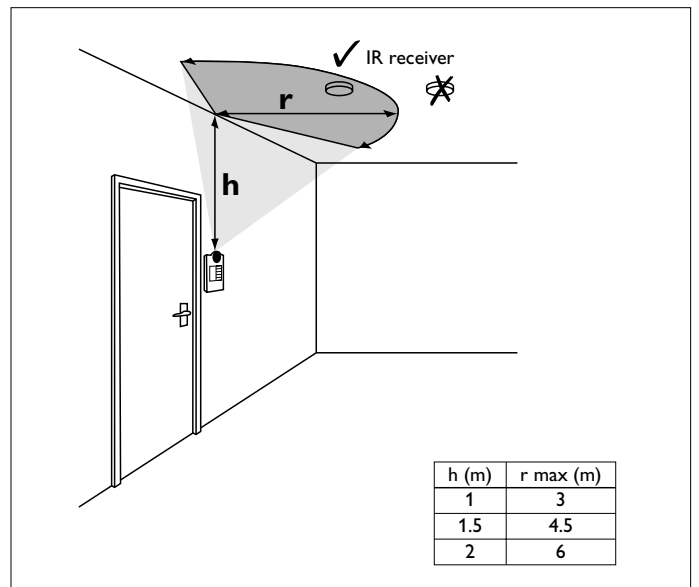


Figure 4: Positioning

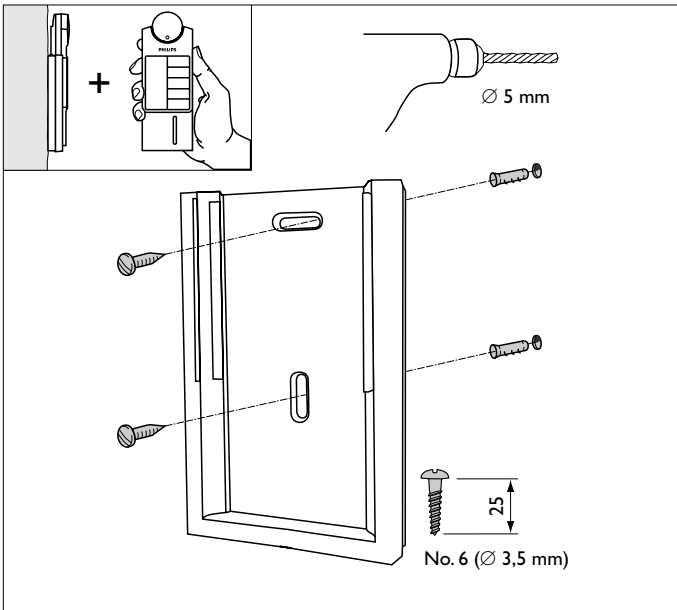


Figure 5a: mounting the wall holder

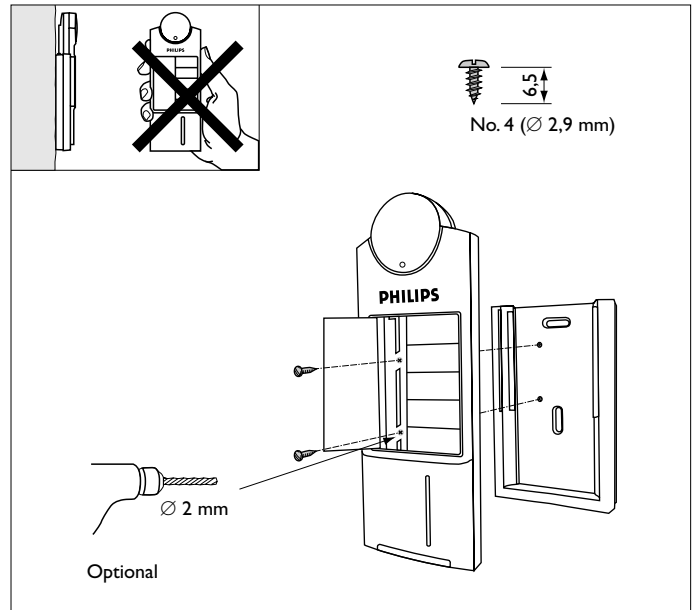


Figure 5b: locking the transmitter in the wall holder

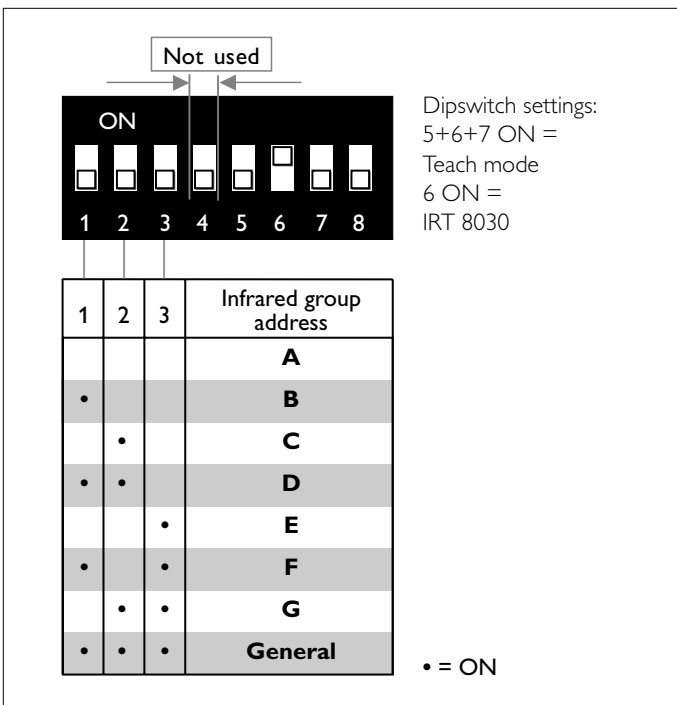


Figure 6: Setting of infrared group address

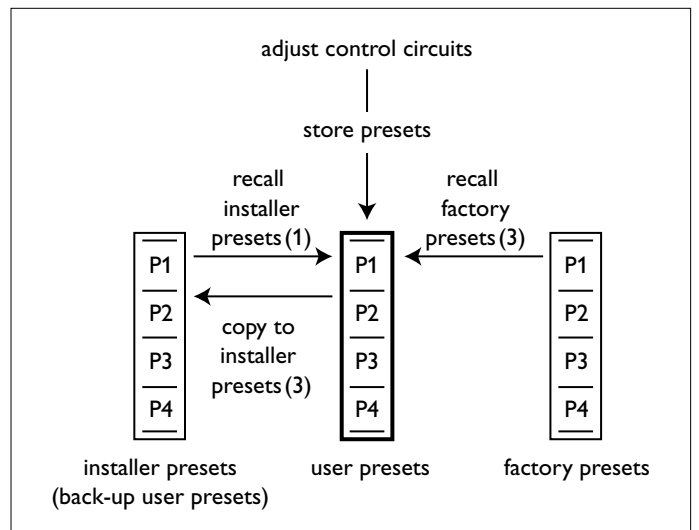


Figure 7: Relationship between categories of presets

- (1) press "Recall installer presets"
- (2) press "Copy user to installer presets" in teach mode
- (3) press "Recall factory presets" in teach mode

Indications and diagnostics

- 1 Red LED, located in the infrared window, indicating:
- OFF : transmitter not used
 - fast flashing : infrared transmission takes place
 - slow flashing : transmitter in "teach mode"
- 5 Red LED's, located behind a window in the hinged cover of the transmitter, indicating:
- fast flashing:
 - in normal mode : channel for which control commands are being transmitted
 - in "teach mode" : parameters for which programming commands are being transmitted
 - slow flashing:
 - in normal mode : selected channel
 - in "teach mode" : selected parameter (programming function)

Packing data

Type	Box dimensions (mm)	Quantity	Material	Weight (Kg)	
				net	gross
Unit box	220 x 95 x 50	1	card board	0.215	0.285
Outer box	230 x 200 x 210	8	card board	1.720	2.580

Ordering Data

Type	MOQ	Ordering number	EAN code level 1	EAN code level 3
IRT8030/00	8	9137 003 14403	87 11559 517636	87 11559 517643

Related documentation

Installation Instructions	3222 636 40081
HELIO Handbook (English)	3222 636 49000
UNILON Handbook (English)	3222 636 49010
TRIOS system handbook (English)	3222 636 49030
TRIOS luminaires handbook (English)	3222 636 49040