



GreenVision Mini (Solar)



GreenVision Mini offers an affordable solar LED road lighting solution to the customer for small pedestrian, residential and industrial roads. Its die-cast aluminum housing and Philips LEDG-INE LED platform ensures long lifetime and reliability. Its higher luminaire system efficacy contributes to cut down the system cost in terms of PV panel size and battery capacity.

Maximized cost savings

- Up to 30% cost savings with full compliance to road lighting safety standards compared to outdated solar luminaire
- Superior W/m² performance delivered through different optics for greater flexibility to fit different road applications
- Lumen output programmable as customization.

Reliable and future proof

- Solid die-cast housing design ensures long fixture lifetime
- Excellent thermal management ensures long system lifetime
- World class, approbated quality components (LEDs/Driver/etc.)
- Tool-less opening of the housing for ease of maintenance

Safety and comfort

- Complies to P category road lighting safety standards
- High quality cool and neutral white light with high color consistency

Application

- Small pedestrian
- Residential roads
- Industrial roads
- Minor roads

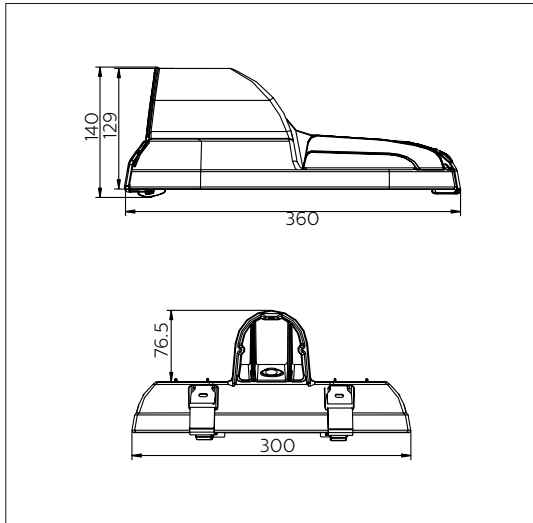


Specifications

Product	GV-Mini
Type	BRP330
Input Voltage	12V/24V DC
System lumen output	Neutral white: up to 6200lm Cool white: up to 6400lm
System efficacy	Up to 120lm/W
CRI	75 ± 5
Color temperature	4000K(NW),5700K(CW)
Optics	DME/ DMMP1
Materials and finishing	Housing: Die-cast aluminum; Gasket: Heat resistant silicone rubber Glass: Tempered Glass; Frame: Gray Paint RAL7040;
Working temperature	-40°C < Ta < 45°C
Lifetime	50,000 hours (70% lumen maintenance @ Ta = 35°C)
Installation	Ø48-60mm pole, side entry
Dimensions (LxBxH)	360x300x140mm
Weight	4.5kg
Windage area	0.12m ²
Recommended mounting height	6-8m
Classifications	IP65; IK08; Class I

Surge protection	SPD: 2KV
Controls	Standalone dimming program
Maintenance	Tool-less opening of housing;
Certifications	CE; CB; IEC 62471
Cable length	7.5m-9.5m
Run Time Extension	Optional
Motion Sensor Mode	Optional

Dimension (mm)



	L	W	→ m ²
BRP330	360	300	0.12

L | length
 W | width
 → m² | windage area

Order Information

Description	12NC	Power	Cable (M)	V	Gross Size (package)/cm	Gross Weight (Kg)	Net Weight (kg)	Net Size (product)/cm
BRP330 LED56/NW 50W 12/24V DMMP1 SD 9.5M	911401880301	50	9.5	12/24V	42x 36 x 24	7	5.8	36 x 30 x 14
BRP330 LED50/NW 43W 12/24V DMMP1 SD 9.5M	911401882201	43	9.5	12/24V	42x 36 x 24	7	5.8	36 x 30 x 14
BRP330 LED32/NW 29W 12/24V DMMP1 SD 7.5M	911401882301	29	7.5	12/24V	42x 36 x 24	7	5.8	36 x 30 x 14
BRP330 LED17/NW 14W 12/24V DMMP1 SD 7.5M	911401882401	14	7.5	12/24V	42x 36 x 24	7	5.8	36 x 30 x 14
BRP330 LED56/CW 50W 12/24V DMMP1 SD 9.5M	911401881701	50	9.5	12/24V	42x 36 x 24	7	5.8	36 x 30 x 14
BRP330 LED50/CW 43W 12/24V DMMP1 SD 9.5M	911401881801	43	9.5	12/24V	42x 36 x 24	7	5.8	36 x 30 x 14
BRP330 LED32/CW 29W 12/24V DMMP1 SD 7.5M	911401881901	29	7.5	12/24V	42x 36 x 24	7	5.8	36 x 30 x 14
BRP330 LED17/CW 14W 12/24V DMMP1 SD 7.5M	911401882001	14	7.5	12/24V	42x 36 x 24	7	5.8	36 x 30 x 14
BRP330 LED64/CW 60W 12/24V DMMP1 SD 12.5M	911401883001	60	12.5	12/24V	42x 36 x 25	7	5.8	37 x 30 x 14
BRP330 LED52/NW 45W 12/24V DMMP1 SD 9.5M	ETO	45	9.5	12/24V	42x 36 x 25	7	5.8	37 x 30 x 14

*More options via customization



GreenVision Xceed (Solar)



Lighting up streets and roads enhance the comfort, security and overall safety of our rapidly growing urban environments. Philips Solar GreenVision Xceed makes an affordable solar LED road lighting solution that delivers sufficient light on your roads.

It is designed to achieve better light uniformity and maximum spacing between poles for both pedestrian and vehicle road applications, and higher efficiency to save panel size and battery capacity in solar lighting system. With its die-cast aluminum housing and Philips LED platform, it is easy to maintain, has a long lifetime and a consistency you can count on. It also offers 3 housing sizes and a range of beam optics to fully cater to different road configurations and conditions.

Owing to the Philips latest hybrid charge controller, it still could work on AC grid. GreenVision Xceed offers 30% of cost savings compared to outdated solar lighting, making it the perfect sustainable lighting solution for any emerging metropolis.

Maximized energy savings

- Maximized energy saving with full compliance to road lighting safety standards due to the dedicated lens with accurate design
- Superior W/m² performance delivered through different optics for greater flexibility to fit different road applications

Reliable and future proof

- Solid die-cast housing design with high ingress protection (IP66) and excellent thermal management ensure long life time for fixture
- World class, fully approbated quality components (LED's/drivers/etc.)
- Tool-less opening of the housing and plug play design bring easy maintenance

Safety and comfort

- Complies fully with M1 to M5 safety and road lighting standards in terms of luminance, uniformity and glare control
- High quality neutral white light with high color consistency

Applications

- City main road and high road
- Minor road
- Industrial park road
- Residential road

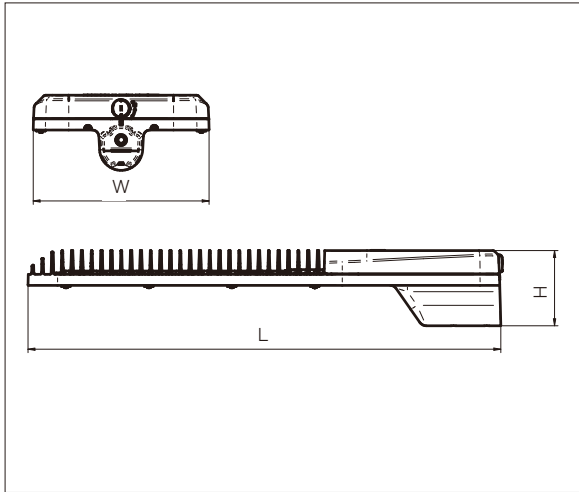


Specifications

Type	BRP371; BRP372; BRP373
Input Voltage	12V/24V DC; 24V DC
System lumen output	NW: up to 14200lm CW: up to 14200lm
System efficacy	Up to 120lm/W
CRI	75 ± 5
Color temperature	4000K(NW),5700K(CW)
Optics	DME/ DMMP1
Materials and finishing	Housing: Die-cast aluminum; Gasket: Heat resistant silicone rubber Glass: Tempered Glass; Frame: Gray Paint RAL7040;

Working temperature	-40°C < Ta < 45°C
Lifetime	50,000 hours (70% lumen maintenance @ Ta = 35°C)
Installation	Ø48-60mm pole, side entry
Dimensions (LxBxH)	BRP371: 422 x 318 x 136mm BRP372: 522 x 318 x 136mm BRP373: 853 x 318 x 136mm
Weight	BRP371=7kg; BRP372=9kg; BRP373=15kg
Windage area	BRP371 0.134m ² ; BRP372 0.166m ² ; BRP373 0.271m ²
Recommended mounting height	6-11m
Classifications	IP66; IK08; Class I
Surge protection	SPD: 2KV
Controls	Standalone dimming program
Maintenance	Tool-less opening of housing; Tool-less gear tray change
Certifications	CE; CB; IEC 62471
Cable length	9.5m-12.5m
Run Time Extension	Optional
Motion Sensor Mode	Optional

Dimension (mm)



NO.	Type	LWH=AxBxC(mm)
1	Small version	422x318x136
2	Middle version	522x318x136
3	Big version	853x318x136

Order Information

Description	12NC	Power	Cable (M)	V	Gross Size (package)/cm	Gross Weight (Kg)	Net Weight (kg)	Net Size (product)/cm
BRP373 LED142/CW 116W 24V DMMP1 SD 12.5M	911401881001	116	12.5	24	95 x 40 x 21	15.5	14.5	85 x 32 x 13
BRP372 LED110/CW 95W 24V DMMP1 SD 12.5M	911401880401	95	12.5	24	61 x 40 x 21	10.8	9.3	52.2 x 31.8 x 13.6
BRP371 LED94/CW 83W 24V DMMP1 SD 12.5M	911401881201	83	12.5	24	51 x 40 x 21	8.8	7.8	42.2 x 31.8 x 13.6
BRP371 LED87/CW 76W 24V DMMP1 SD 12.5M	911401881401	76	12.5	24	51 x 40 x 21	8.8	7.8	42.2 x 31.8 x 13.6
BRP371 LED72/CW 60W 24V DMMP1 SD 12.5M	911401881601	60	12.5	24	51 x 40 x 21	8.8	7.8	42.2 x 31.8 x 13.6
BRP371 LED62/CW 51W 24V DMMP1 SD 12.5M	911401882801	51	12.5	24	51 x 40 x 21	8.8	7.8	42.2 x 31.8 x 13.6
BRP371 LED50/CW 43W 12/24V DMMP1 SD 9.5M	911401880601	43	9.5	12/24V	51 x 40 x 21	8.8	7.8	42.2 x 31.8 x 13.6
BRP373 LED142/NW 116W 24V DMMP1 SD 12.5M	911401881101	116	12.5	24	95 x 40 x 21	15.5	14.5	85 x 32 x 13
BRP372 LED110/NW 95W 24V DMMP1 SD 12.5M	911401880501	95	12.5	24	61 x 40 x 21	10.8	9.3	52.2 x 31.8 x 13.6
BRP371 LED94/NW 83W 24V DMMP1 SD 12.5M	911401881301	83	12.5	24	51 x 40 x 21	8.8	7.8	42.2 x 31.8 x 13.6
BRP371 LED87/NW 76W 24V DMMP1 SD 12.5M	911401881501	76	12.5	24	51 x 40 x 21	8.8	7.8	42.2 x 31.8 x 13.6
BRP371 LED72/NW 60W 24V DMMP1 SD 12.5M	911401882101	60	12.5	24	51 x 40 x 21	8.8	7.8	42.2 x 31.8 x 13.6
BRP371 LED50/NW 43W 12/24V DMMP1 SD 9.5M	911401880701	43	9.5	12/24V	51 x 40 x 21	8.8	7.8	42.2 x 31.8 x 13.6

*More options via customization



Solar Portable Lighting System



Solar Portable Lighting system gives your LIGHT AS YOU GO, which is a easy-to-go solar powered lighting designed to provide sufficient and consistent excellent light anywhere and anytime for outdoor lighting, it is the ideal solution for mining field, community, emergency lighting, beach, as well as road lighting etc.

Features and benefits

- Easy-to-go and portable system
- Robust design and making for any conditions
- Quick installation in 10 minutes
- Max 3m high installation and 0~45°adjustable luminaire
- High quality PV panel and battery
- Sufficient and quality light from Philips LED technology
- Quick charging and long lasting working hours
- Full certified components



Specifications



Tripod	Material	Aluminum
	Coating	Gray powder, RAL 7040, available for customized color
	Weight	9.5Kg
	Pole height (fully extended)	3m
	Mast sections	2 * 50cm for extension
	stabilizer legs - extending	3 * 50cm
	installation	manual winch (and for extension)
PV Panel	Type	Poly crystalline
	Wp	60Wp
	installation	Panel holder
	Tilt angle	Manual adjustable tilt 0°~45° with screw pins.t
	Certificates	TUV

Charge controller	OCU Gen 1+ 5A	Charge / Discharge current Max 5A
	Full electrical protection design	
	Float Voltage	13.8V (25°C)
	Boost Voltage	14.4 V (25°C), 2h
	Boost Cycle	Activation If battery voltage goes below 12.3 V
	Equalization Voltage	12.8 (25°C), 2h
	Equalization Cycle	Activation If battery voltage goes below 12.1 V
	Additional Equalization	Every 30 days
	Load Disconnect Voltage	TBD
	Load Reconnect Voltage	12.8 V
	Battery over voltage protection	15.5 V
	Emergency Switch Off	< 10.5 V
	Max. Solar Voltage	55 V, by varistor
	Temperature Compensation	-4.2 mV/K per cell
	Supported battery Type	VRLA
	installation	plug-and-play
	BRP330	LED Luminaire
Certificates	CE	
Luminaire	lumen output	1500lm
	Wattage	14W
	System efficacy	105lm/W± 5%
	CRI	75 ± 5
	Color temperature	4000K(NW)
	Optics	DM2E
	Materials and finishing	Housing: Die-cast aluminum; Gasket: Heat resistant silicone rubber Glass: Tempered Glass; Frame: Gray Paint RAL7040;
	Working temperature	-40°C< Ta< 45°C
	Lifetime	50,000 hours (LM70@Ta=35°C)
	Installation	Ø48-60mm pole, side entry
	Dimensions (LxBxH)	360x300x140mm
	Weight	4.5kg
	Windage area	0.12m2
	Classifications	IP65; IK08; Class I;
	Surge protection	SPD: 2KV
	Controls	Standalone dimming program
	Maintenance	Tool-less opening of housing;
Certifications	CE; CB; IEC 62471	
cables length	5m	
Tilt	manual adjustable Manual adjustable tilt 0°~45° with indicator.(5° step)	
Cables and connectors	Attached	
Suitcase	Securing and Lifting:	2 tie-down/lift lugs, 3 screw pins
	Housing	wooden plate with aluminum frame
	Dimension	817 mm x 632mm x 357mm
	Weight	14Kg
System	Working temp.	-5°C~45°C
	Voltage	12V
	Self supported hours	28 hours long lasting operation (based on 50Ah battery)
	Battery	55Ah 12V Gel
	USB	standard output 5V/500mA

Preferred selection

Product ID	Order Code	Weight (kg)	Dimension
SPS 60Wp 55Ah 1500lm	911401865401	53kg	790 mm x 610mm x 380mm